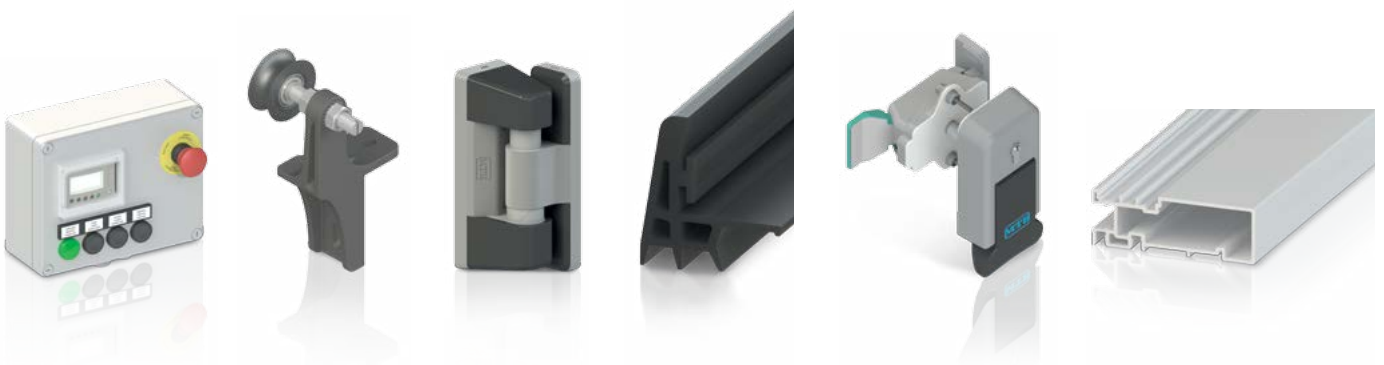


DOOR COMPONENTS

**COMPONENTI PORTE
COMPOSANTS DES PORTES
COMPONENTES DE PUERTAS
TÜREN BESTANDTEILE**



Dear customers,
If you are reading these pages, you are certainly protagonist in the industrial or commercial cold industry. Whether you are a reseller, installer, manufacturer of refrigeration doors or designer, this components catalogue will guide you, will accompany you in your choice, and will provide you with important suggestions for the correct application and installation of MTH products.

Founded in 1942, **MTH** in fact has achieved a reputation as a reliable partner that inspires companies around the world with its own innovative ideas.

Our goal was to create a complete and exhaustive document that would enable our customers to work with awareness and autonomy.

Each MTH product is the result of a continuous of research and development process, aimed at anticipating and interpreting needs and requests of its customers worldwide.

MTH's core strength is the ability to think up, design, industrialize and produce specific and exclusive components and accessories.

Welcome to MTH's World!



Cari clienti,

Se state sfogliando queste pagine, siete certamente protagonisti nel settore del freddo industriale o commerciale. Che voi siate rivenditori, installatori, costruttori di porte frigorifere o progettisti, questo catalogo componenti vi farà da guida, vi accompagnerà nella scelta, e garantirà suggerimenti importanti per la corretta applicazione ed installazione dei prodotti MTH.

Fondata nel 1942, **MTH** si è guadagnata sul campo la reputazione di partner affidabile che ispira le aziende di tutto il mondo con le proprie idee innovative.

Ci siamo posti l'obiettivo di creare un documento completo ed esaustivo, per consentire ai nostri clienti di lavorare con consapevolezza ed in piena autonomia.

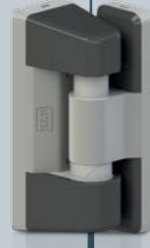
Ogni prodotto MTH è frutto di un processo continuo di ricerca e sviluppo, con l'obiettivo di anticipare e interpretare le necessità, i desideri e le aspirazioni dei propri clienti.

Punto di forza fondamentale di MTH è la capacità di ideare, progettare, industrializzare e produrre componenti ed accessori specifici ed esclusivi.

Benvenuti nel mondo MTH!



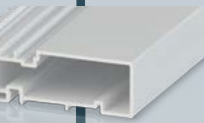
Page 6
ALUMINIUM PROFILES
 PROFILI IN ALLUMINIO
 PERFILES EN ALUMINIO
 PROFILS D'ALUMINIUM
 ALUMINIUMPROFILE



Page 42
HINGES
 CERNIERE
 BISAGRAS
 CHARNIÈRES
 SCHARNIERE



Page 88
PRESSURE COMPENSATION VALVES
 VALVOLE DI COMPENSAZIONE
 VÁLVULAS DE EQUILIBRADO DE PRESIONES
 SOUPAPES DE COMPENSATION
 DRUCKAUSGLEICHVENTILE



Page 18
PVC PROFILES
 PROFILI IN PVC
 PERFILES EN PVC
 PROFILS PVC
 PVC-PROFILE



Page 50
SLIDING SYSTEMS COMPONENTS
 ELEMENTI PER SISTEMI DI SCORRIMENTO
 COMPONENTES DE SISTEMAS CORREDERAS
 COMPOSANTS DES SYSTEMES DE COULISSAGE
 KOMPONENTEN FÜR SCHIEBESYSTEME



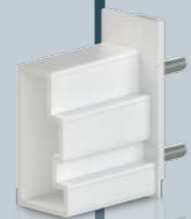
Page 92
PLUGS
 TAPPI
 TAPAS
 BOUCHONS
 PFROPFEN



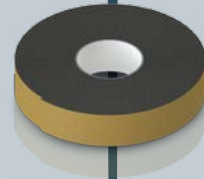
Page 26
GASKETS
 GUARNIZIONI
 EMPAQUES
 JOINTS
 DICHTUNGEN



Page 66
HANDLES AND LOCKS
 MANIGLIE E CHIUSURE
 MANIJAS Y CIERRES
 POIGNÉES ET SERRURES
 TÜRGRIFFE UND SCHLÖSSER



Page 98
REINFORCEMENTS AND FIXING ELEMENTS
 RINFORZI ED ELEMENTI DI FISSAGGIO
 REFUERZOS Y ELEMENTOS DE FIJACIÓN
 RENFORTS ET ÉLÉMENTS DE FIXATION
 VERSTÄRKUNGS- UND FIXIERUNGSELEMENTE



Page 34
AIR FOAM GASKETS
 NASTRI E MOUSSE
 CINTAS ADHESIVAS
 RUBANS ET MOUSSES
 MOOSGUMMI UND KLEBEBAND



Page 38
HEATING CABLES
 RESISTENZE
 RESISTENCIAS
 CORDONS CHAUFFANTS
 HEIZLEITUNGEN



Page 84
PORHOLES AND INSULATED GLAZING
 OBLÒ E VETROCAMERE
 MIRILLAS Y VIDRIOS AISLADOS
 HOBLOTS ET VERRES DOUBLES
 FENSTER UND ISOLIERVERGLASUNG

Page 112
COMPONENTS FOR AUTOMATION
 ELEMENTI PER L'AUTOMAZIONE
 COMPONENTES PARA AUTOMATIZACIÓN
 COMPOSANTS POUR AUTOMATISATION
 KOMPONENTEN FÜR TÜRAUTOMATIK

Page

- 124** DOOR FEATURES / CARATTERISTICHE PORTA / CARACTERÍSTICAS DE PUERTAS
 CARACTÉRISTIQUES DES PORTES / MERKMALE DER TÜREN
- 125** DOOR OPENING DIRECTION / SENSO DI APERTURA / SENTIDO DE ABERTURA
 SENS D'OUVERTURE / ÖFFNUNGSRICHTUNG
- 126** FRAME TYPES / TIPOLOGIE DI TELAIO / TIPOS DE MARCOS / TYPES D'HUISSERIES
 RAHMENTYPEN
- 128** THRESHOLD TYPES / TIPOLOGIE DI SOGLIA / TIPOS DE PISADERAS / TYPES DE SEUIL
 SCHWELLENTYPEN
- 130** SLIDING SYSTEMS / SISTEMI DI SCORRIMENTO / SISTEMAS CORREDERAS
 SYSTÈMES COULISSANTS / SCHIEBESYSTEME

DOOR MODELS EXPLODED-VIEW DRAWINGS

 VISTE ESPLOSE DEI MODELLI PORTA / VISTA DE DESPIECE MODELOS PUERTA
 VUES EN ÉCLATÉ DE MODELES DE PORTE / EXPLOSIONSZEICHNUNGEN DER TÜRMODELLE

SEMI-INSULATING

Page	
136	SERVICE DOOR
144	TO & FRO

HINGED

Page	
148	500 TN
156	540 TN
160	GV 5
164	603 LWT
172	604 LWT
176	740 LWT
180	745 LWT
184	750 LWT

SLIDING

Page	
188	240 AM
192	240 S
196	360 LS
200	360 FLS
204	450 GV
208	480 PGV
212	480 ST
216	480 PT
220	480 TN
228	480 LT
232	480 LTB
236	480 LWT
240	485 LWT
244	490 LWT
248	VERTICAL TN
252	VERTICAL LWT
256	PLCL AUTOMATION KIT
260	PLCE AUTOMATION KIT

PART NUMBER INDEX

 INDICE CODICI / ÍNDICE DE CÓDIGOS
 INDEX DES CODES / CODEREGISTER

INDEX

INDICE

PRODUCTS

PRODOTTI PRODUCTOS PRODUITS PRODUKTE



Page

- 6** ALUMINIUM PROFILES / PROFILI IN ALLUMINIO / PERFILES EN ALUMINIO
PROFILS D'ALUMINIUM / ALUMINIUMPROFILE
- 18** PVC PROFILES / PROFILI IN PVC / PERFILES EN PVC / PROFILS PVC / PVC-PROFILE
- 26** GASKETS / GUARNIZIONI / EMPAQUES / JOINTS / DICHTUNGEN
- 34** AIR FOAM GASKETS / NASTRI E MOUSSE / CINTAS ADHESIVAS / RUBANS ET MOUSSES
MOOSGUMMI UND KLEBEBAND
- 38** HEATING CABLES / RESISTENZE / RESISTENCIAS / CORDONS CHAUFFANTS / HEIZLEITUNGEN
- 42** HINGES / CERNIERE / BISAGRAS / CHARNIÈRES / SCHARNIERE
- 50** SLIDING SYSTEMS COMPONENTS / ELEMENTI PER SISTEMI DI SCORRIMENTO
COMPONENTES DE SISTEMAS CORREDERAS / COMPOSANTS DES SYSTEMES DE COULISSAGE
KOMPONENTEN FÜR SCHIEBESYSTEME
- 66** HANDLES AND LOCKS / MANIGLIE E CHIUSURE / MANIJAS Y CIERRES / POIGNÉES ET SERRURES
TÜRGRIFFE UND SCHLÖSSER
- 84** PORTHOLES AND INSULATED GLAZING / OBLÒ E VETROCAMERE / MIRILLAS Y VIDRIOS AISLADOS
HOBLOTS ET VERRES DOUBLES / FENSTER UND ISOLIERVERGLASUNG
- 88** PRESSURE COMPENSATION VALVES / VALVOLE DI COMPENSAZIONE
VÁLVULAS DE EQUILBRADO DE PRESIONES / SOUPAPES DE COMPENSATION / DRUCKAUSGLEICHVENTILE
- 92** PLUGS / TAPPI / TAPAS / BOUCHONS / PFROPFEN
- 98** REINFORCEMENTS AND FIXING ELEMENTS / RINFORZI ED ELEMENTI DI FISSAGGIO
REFUERZOS Y ELEMENTOS DE FIJACIÓN / RENFORTS ET ÉLÉMENTS DE FIXATION
VERSTÄRKUNGS- UND FIXIERUNGSELEMENTE
- 112** COMPONENTS FOR AUTOMATION / ELEMENTI PER L'AUTOMAZIONE
COMPONENTES PARA AUTOMATIZACIÓN / COMPOSANTS POUR AUTOMATISATION
KOMPONENTEN FÜR TÜRAUTOMATIK



40

13

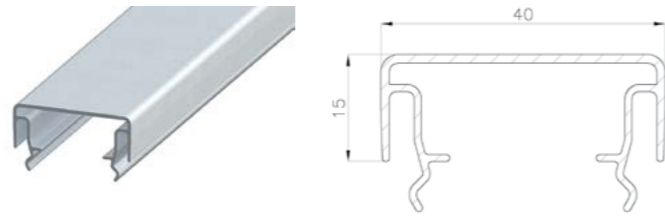
28

ALUMINIUM PROFILES

PROFILI IN ALLUMINIO
PERFILES EN ALUMINIO
PROFILS D'ALUMINIUM
ALUMINIUMPROFILE

10BOA013 10025

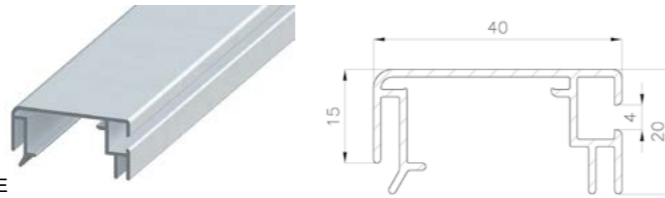
ANODIZED ALUMINIUM BLADE EDGE PROFILE
SERVICE DOOR THK=40 BAR L=7000
PROFILO IN ALLUMINIO ANODIZZATO BORDO
BATTENTE TIPO UFFICIO SP=40 BARRA L=7000
PERFIL ALUMINIO ANODIZADO BORDE BATIENTE
PUERTA DE SERVICIO ESP=40 BARRA L=7000
PROFIL ALUMINIUM ANODISÉ BORD VANTAIL PORTE
DE SERVICE ÉPAIS=40 BARRE L=7000
ELOXIERTES ALUMINIUM TÜRFLÜGELPROFIL
BETRIEBSRAUMTÜR S=40 STAB L=7000



SERVICE DOOR

10BOA001 10026

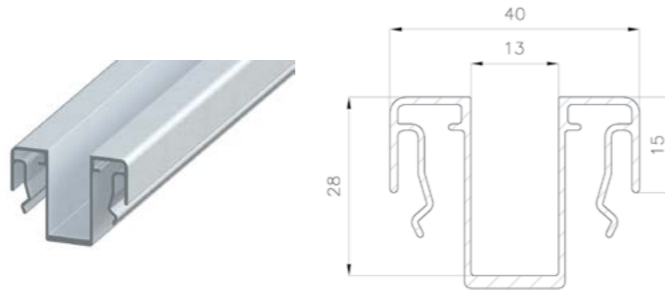
ANODIZED ALUMINIUM BLADE EDGE PROFILE
SERVICE DOOR THK=40 STAINLESS STEEL
FRAME BAR L=7000
PROFILO IN ALLUMINIO ANODIZZATO BORDO
BATTENTE TIPO UFFICIO SP=40 TELAIO INOX
BARRA L=7000
PERFIL ALUMINIO ANODIZADO BORDE BATIENTE
PUERTA DE SERVICIO=40 MARCO INOX
BARRA L=7000
PROFIL ALUMINIUM ANODISÉ BORD VANTAIL PORTE DE
SERVICE ÉPAIS=40 HUISSERIE INOX BARRE L=7000
ELOXIERTES ALUMINIUM TÜRFLÜGELPROFIL
BETRIEBSRAUMTÜR S=40 RAHMEN AUS INOX
STAB L=7000



SERVICE DOOR

10BOA018 10085

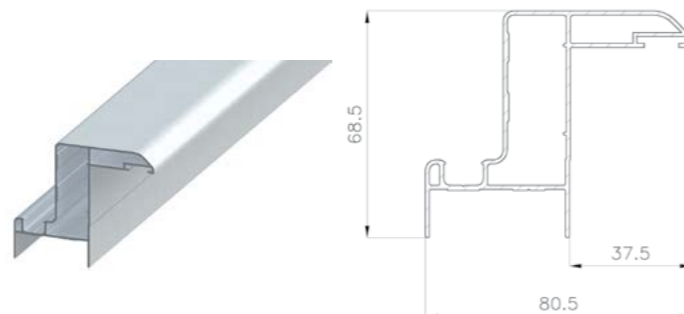
ANODIZED ALUMINIUM PROFILE FOR AUTOMATIC
LOWER GASKET DOOR THK=40 BAR L=6000
PROFILO IN ALLUMINIO ANODIZZATO PER
GUARNIZIONE INFERIORE AUTOMATICA
PORTA SP=40 BARRA L=6000
PERFIL ALUMINIO ANODIZADO
PARA BURLETE INFERIOR AUTOMATICA
PUERTA ESP=40 BARRA L=6000
PROFIL ALUMINIUM ANODISÉ
POUR JOINT INFÉRIEUR AUTOMATIQUE
PORTE ÉPAIS=40 BARRE L=6000
ELOXIERTES ALUMINIUM PROFIL FÜR NIEDRIGE
DICHTUNG AUTOMATISCH TÜR S=40 STAB L=6000



SERVICE DOOR

10TEA023

ANODIZED ALUMINIUM FRAME PROFILE
SERVICE DOOR BAR L=6500
PROFILO IN ALLUMINIO ANODIZZATO TELAIO
TIPO UFFICIO BARRA L=6500
PERFIL ALUMINIO ANODIZADO MARCO
PUERTA DE SERVICIO BARRA L=6500
PROFIL ALUMINIUM ANODISÉ HUISSERIE
PORTE DE SERVICE BARRE L=6500
ELOXIERTES ALUMINIUM RAHMENPROFIL
BETRIEBSRAUMTÜR STAB L=6500

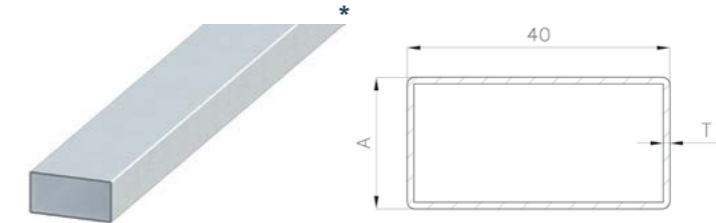


SERVICE DOOR

SERVICE DOOR

CODE CODICE	A (mm)	T (mm)	L (mm)
100LA001* 10012	20	1,5	6500
100LA002 10014	40		
100LA003 10013	30	2	6000
100LA012	40		
100LA013 10015	50		
100LA010	60		
100LA005 10016	60	6500	6500
100LA006 10017	80		

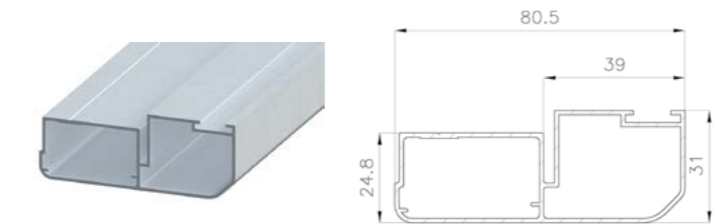
ANODIZED ALUMINIUM TUBULAR PROFILE
PROFILO IN ALLUMINIO ANODIZZATO TUBOLARE
PERFIL ALUMINIO ANODIZADO TUBOLAR
PROFIL ALUMINIUM ANODISÉ TUBULAIRE
ELOXIERTES ALUMINIUM RÖHRENFÖRMIGPROFIL



SERVICE DOOR

10TEA019

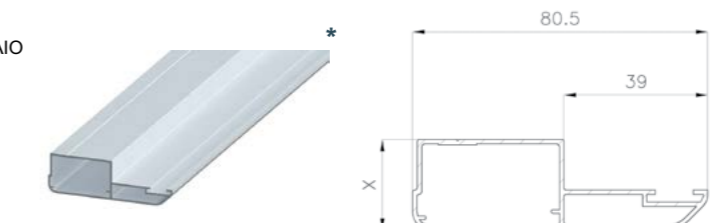
ANODIZED ALUMINIUM COUNTERFRAME PROFILE
SERVICE DOOR H=40 BAR L=6500
PROFILO IN ALLUMINIO ANODIZZATO
CONTROTELAIO TIPO UFFICIO H=40 BARRA L=6500
PERFIL ALUMINIO ANODIZADO CONTRAMARCO
PUERTA DE SERVICIO H=40 BARRA L=6500
PROFIL ALUMINIUM ANODISÉ CONTRE-CADRE
PORTE DE SERVICE H=40 BARRE L=6500
ELOXIERTES ALUMINIUM KLEMMRAHMENPROFIL
FÜR BETRIEBSRAUMTÜR H=40 STAB L=6500



SERVICE DOOR

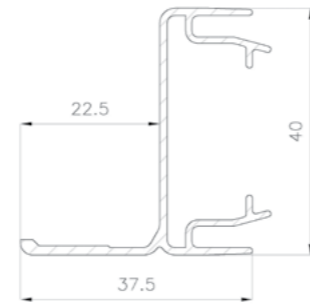
CODE CODICE	X (mm)	PANEL / PANNELLO / PANEL PANNEAU / PLATTE (mm)	L (mm)
10TEA020*	25	60	6500
10TEA021	45	80	
10TEA022	65	100	

ANODIZED ALUMINIUM COUNTERFRAME PROFILE
SERVICE DOOR
PROFILO IN ALLUMINIO ANODIZZATO CONTROTELAIO
TIPO UFFICIO
PERFIL ALUMINIO ANODIZADO CONTRAMARCO
PUERTA DE SERVICIO
PROFIL ALUMINIUM ANODISÉ CONTRE-CADRE
PORTE DE SERVICE
ELOXIERTES ALUMINIUM KLEMMRAHMENPROFIL
FÜR BETRIEBSTÜR



10BOA021 10088

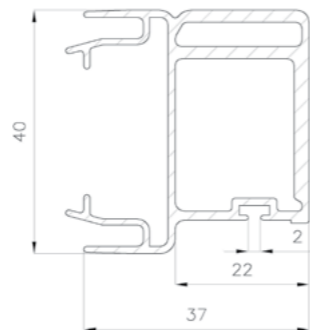
ANODIZED ALUMINIUM DOUBLE BLADE EDGE
PROFILE MOBILE WING THK=40 BAR L=7000
PROFILO IN ALLUMINIO ANODIZZATO BORDO
DOPPIO BATTENTE ANTA MOBILE SP=40 BARRA L=7000
PERFIL ALUMINIO ANODIZADO BORDE
DOBLE BATIENTE PUERTA MÓVIL ESP=40 BARRA L=7000
PROFIL ALUMINIUM ANODISÉ BORD
DOUBLE VANTAIL MOBILE ÉPAIS=40 BARRE L=7000
ELOXIERTES ALUMINIUM PROFIL
FÜR DOPPELFLÜGELTÜR BEGEHFLÜGEL S=40
STAB L=7000



SERVICE DOOR 2W

10BOA022 10089

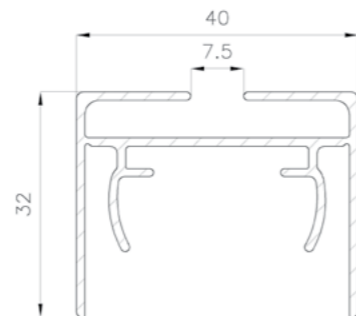
ANODIZED ALUMINIUM DOUBLE BLADE EDGE
PROFILE FIXED WING THK=40 BAR L=7000
PROFILO IN ALLUMINIO ANODIZZATO BORDO
DOPPIO BATTENTE ANTA FISSA SP=40 BARRA L=7000
PERFIL ALUMINIO ANODIZADO BORDE
DOBLE BATIENTE PUERTA FIJA ESP=40 BARRA L=7000
PROFIL ALUMINIUM ANODISÉ BORD
DOUBLE VANTAIL FISSA ÉPAIS=40 BARRE L=7000
ELOXIERTES ALUMINIUM PROFIL
FÜR DOPPELFLÜGELTÜR STANDFLÜGEL S=40
STAB L=7000



SERVICE DOOR 2W

10BOA024

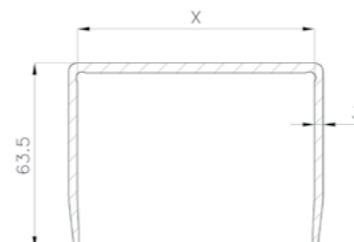
ANODIZED ALUMINIUM BLADE EDGE PROFILE
TO & FRO THK=40 BAR L=6100
PROFILO IN ALLUMINIO ANODIZZATO
BORDO BATTENTE VA E VIENI SP=40 BARRA L=6100
PERFIL ALUMINIO ANODIZADO
BORDE BATIENTE VAIVÉN ESP=40 BARRA L=6100
PROFIL ALUMINIUM ANODISÉ
BORD VANTAIL VA ET VIENT ÉPAIS=40 BARRE L=6100
ELOXIERTES ALUMINIUM PROFIL
FÜR PENDELTÜR S=40 STAB L=6100



TO & FRO

CODE CODICE	X (mm)	L (mm)
10TEA006 10073	60	6500
10TEA005* 10074	80	

ANODIZED ALUMINIUM C-PROFILE
FOR TO & FRO ON PANEL
PROFILO IN ALLUMINIO ANODIZZATO A "C"
PER VA E VIENI SU PANNELLI
PERFIL ALUMINIO ANODIZADO A "C"
PARA VAIVÉN SOBRE PANELES
PROFIL ALUMINIUM ANODISÉ EN "C"
POUR VA ET VIENT SUR PANNEAUX
ELOXIERTES ALUMINIUM C-PROFIL
FÜR PENDELTÜREN PANEL



TO & FRO

10BOA026

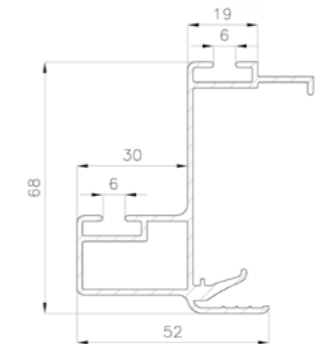
ANODIZED ALUMINIUM BLADE EDGE PROFILE
THK=68 BAR L=6400
PROFILO IN ALLUMINIO ANODIZZATO
BORDO BATTENTE SP=68 BARRA L=6400
PERFIL ALUMINIO ANODIZADO BORDE
BATIENTE ESP=68 BARRA L=6400
PROFIL ALUMINIUM ANODISÉ BORD
VANTAIL ÉPAIS=68 BARRE L=6400
ELOXIERTES ALUMINIUM TÜRFLÜGELPROFIL
S=68
STAB L=6400



500 TN
500 TN 2W
(10BOA003 10032)
GV 5
GV 5 2W
(10BOA003 10032)
240 AM
240 S
360 LS
360 FLS
480 PGV
480 ST
480 PT

10BOA019 10086

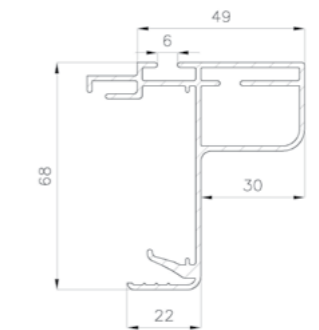
ANODIZED ALUMINIUM DOUBLE BLADE EDGE
PROFILE MOBILE WING THK=68 BAR L=4600
PROFILO IN ALLUMINIO ANODIZZATO BORDO
DOPPIO BATTENTE ANTA MOBILE SP=68 BARRA L=4600
PERFIL ALUMINIO ANODIZADO BORDE
DOBLE BATIENTE PUERTA MÓVIL ESP=68 BARRA L=4600
PROFIL ALUMINIUM ANODISÉ BORD
DOUBLE VANTAIL MOBILE ÉPAIS=68 BARRE L=4600
ELOXIERTES ALUMINIUM PROFIL
FÜR DOPPELFLÜGELTÜR BEGEHFLÜGEL S=68
STAB L=4600



500 TN 2W
GV 5 2W

10BOA020 10087

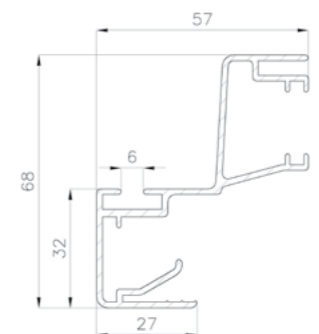
ANODIZED ALUMINIUM DOUBLE BLADE PROFILE
EDGE FIXED WING THK=68 BAR L=4600
PROFILO IN ALLUMINIO ANODIZZATO BORDO
DOPPIO BATTENTE ANTA FISSA SP=68 BARRA L=4600
PERFIL ALUMINIO ANODIZADO BORDE
DOBLE BATIENTE PUERTA FIJA ESP=68 BARRA L=4600
PROFIL ALUMINIUM ANODISÉ BORD
DOUBLE VANTAIL FISSA ÉPAIS=68 BARRE L=4600
ELOXIERTES ALUMINIUM PROFIL
FÜR DOPPELFLÜGELTÜR STANDFLÜGEL S=68
STAB L=4600



500 TN 2W
GV 5 2W

10BOA012 10034

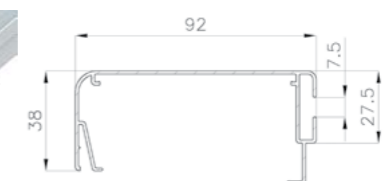
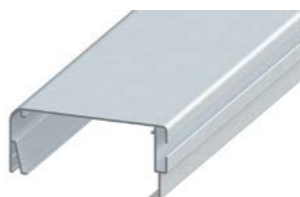
SEMIRECESSED ANODIZED ALUMINIUM BLADE
EDGE PROFILE THK=68 BAR L=6500
PROFILO IN ALLUMINIO ANODIZZATO BORDO
BATTENTE SEMINCASSATO SP=68 BARRA L=6500
PERFIL ALUMINIO ANODIZADO BORDE
BATIENTE SEMINCASSATO ESP=68 BARRA L=6500
PROFIL ALUMINIUM ANODISÉ BORD
VANTAIL DEMI-ENCAISSÉ ÉPAIS=68 BARRE L=6500
ELOXIERTES ALUMINIUM TÜRFLÜGELPROFIL
HALB EINGEBAUT S=68 STAB L=6500



540 TN

10BOA025

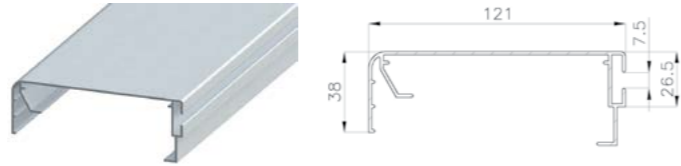
ANODIZED ALUMINIUM BLADE EDGE PROFILE
THK=92 ANODIZED BAR L=6250
PROFILO IN ALLUMINIO ANODIZZATO
BORDO BATTENTE SP=92 BARRA L=6250
PERFIL ALUMINIO ANODIZADO BORDE
BATIENTE ESP=92 ANODIZADO BARRA L=6250
PROFIL ALUMINIUM ANODISÉ BORD
VANTAIL SP=92 ANODISÉ BARRE L=6250
ELOXIERTES ALUMINIUM TÜRFLÜGELPROFIL
S=92 STAB L=6250



603 LWT
450 GV
480 ATMC
480 TN
480 LT
VERTICAL TN

10BOA014
10039

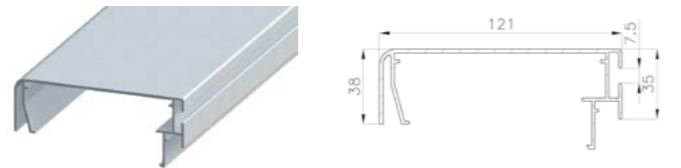
ANODIZED ALUMINIUM BLADE EDGE PROFILE
THK=121 BAR L=6500
PROFILO IN ALLUMINIO ANODIZZATO
BORDO BATTENTE SP=121 BARRA L=6500
PERFIL ALUMINIO ANODIZADO BORDE BATIENTE
ESP=121 BARRA L=6500
PROFIL ALUMINIUM ANODISÉ BORD VANTAIL
ÉPAIS=121 BARRE L=6500
ELOXIERTES ALUMINIUM TÜRFLÜGELPROFIL
S=121 STAB L=6500



604 LWT
480 LTB

10BOA006
10037

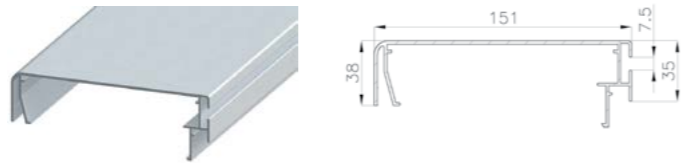
ANODIZED ALUMINIUM BLADE EDGE PROFILE
THK=121 FOR DOUBLE GASKET BAR L=6500
PROFILO IN ALLUMINIO ANODIZZATO
BORDO BATTENTE SP=121
PER DOPPIA GUARNIZIONE BARRA L=6500
PERFIL ALUMINIO ANODIZADO BORDE BATIENTE
ESP=121 PARA DOBLE BURLETE BARRA L=6500
PROFIL ALUMINIUM ANODISÉ BORD VANTAIL
ÉPAIS=121 POUR DOUBLE JOINT BARRE L=6500
ELOXIERTES ALUMINIUM TÜRFLÜGELPROFIL S=121
FÜR DOPPELTE DICHTUNG STAB L=6500



740 LWT
745 LWT
480 LWT
485 LWT
VERTICAL LWT

10BOA027

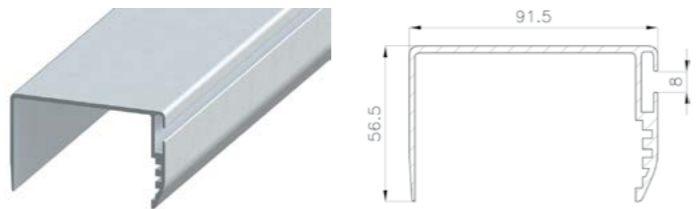
ANODIZED ALUMINIUM BLADE EDGE PROFILE
THK=151 BAR L=4200
PROFILO IN ALLUMINIO ANODIZZATO
BORDO BATTENTE SP=151 BARRA L=4200
PERFIL ALUMINIO ANODIZADO BORDE BATIENTE
ESP=151 BARRA L=4200
PROFIL ALUMINIUM ANODISÉ BORD VANTAIL
SP=151 BARRE L=4200
ELOXIERTES ALUMINIUM TÜRFLÜGELPROFIL S=151
STAB L=4200



750 LWT
490 LWT
VERTICAL LWT

10BOA016
10075

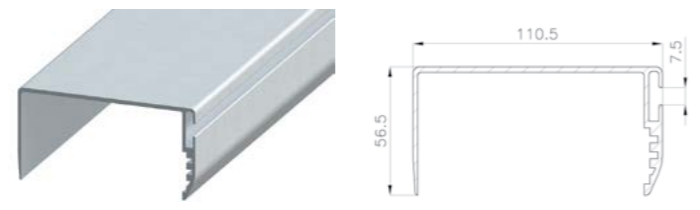
ANODIZED ALUMINIUM PANEL EDGE PROFILE
THK=80 BAR L=7000
PROFILO IN ALLUMINIO ANODIZZATO
BORDO PANNELLO SP=80 BARRA L=7000
PERFIL ALUMINIO ANODIZADO BORDE PANEL
ESP=80 BARRA L=7000
PROFIL ALUMINIUM ANODISÉ BORD PANNEAU
ÉPAIS=80 BARRE L=7000
ELOXIERTES ALUMINIUM PROFIL
FÜR PANEEL S=80 STAB L=7000



-

10BOA007
10076

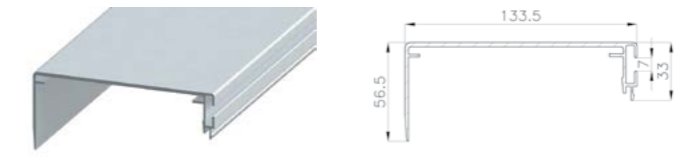
ANODIZED ALUMINIUM PANEL EDGE PROFILE
THK=100 BAR L=7000
PROFILO IN ALLUMINIO ANODIZZATO
BORDO PANNELLO SP=100 BARRA L=7000
PERFIL ALUMINIO ANODIZADO BORDE PANEL
ESP=100 BARRA L=7000
PROFIL ALUMINIUM ANODISÉ BORD PANNEAU
ÉPAIS=100 BARRE L=7000
ELOXIERTES ALUMINIUM PROFIL FÜR PANEEL
S=100 STAB L=7000



-

10BOA124

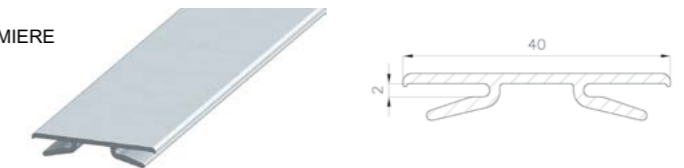
ANODIZED ALUMINIUM PANEL EDGE PROFILE
THK=120 BAR L=6500
PROFILO IN ALLUMINIO ANODIZZATO
BORDO PANNELLO SP=120 BARRA L=6500
PERFIL ALUMINIO ANODIZADO BORDE PANEL
ESP=120 BARRA L=6500
PROFIL ALUMINIUM ANODISÉ BORD PANNEAU
ÉPAIS=120 BARRE L=6500
ELOXIERTES ALUMINIUM PROFIL
FÜR PANEEL S=120 STAB L=6500



-

10VHA001
10056

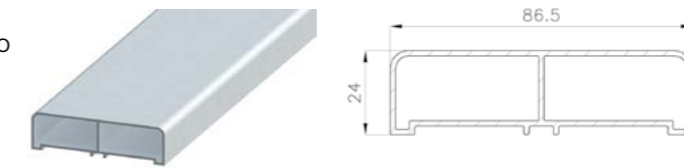
ANODIZED ALUMINIUM METAL SHEET SUPPORT
H-PROFILE BAR L=6500
PROFILO IN ALLUMINIO ANODIZZATO SUPPORTO LAMIERE
CON SEZIONE AD "H" BARRA L=6500
PERFIL ALUMINIO ANODIZADO SOPORTE PUERTA
CON SECCION A "H" BARRA L=6500
PROFIL ALUMINIUM ANODISÉ SUPPORT TÔLE
AVEC SECTION EN "H" BARRE L=6500
ELOXIERTES ALUMINIUM PROFIL BLECHSTÜTZE
IN "H" FORM STAB L=6500



ALL MODELS

10CPA002
10046

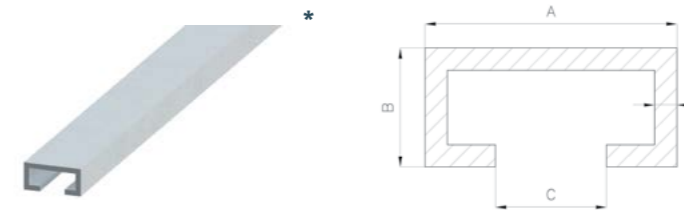
ANODIZED ALUMINIUM COUNTERFRAME PROFILE
BAR L=6500
PROFILO IN ALLUMINIO ANODIZZATO CONTROTELAIO
BARRA L=6500
PERFIL ALUMINIO ANODIZADO CONTRAMARCO
BARRA L=6500
PROFIL ALUMINIUM ANODISÉ CONTRE-CADRE
BARRE L=6500
ELOXIERTES ALUMINIUM KLEMMRAHMENPROFIL
STAB L=6500



TO & FRO 480 ATMC
500 TN 480 PT
540 TN 480 TN
GV 5 480 LT
603 LWT 480 LTB
604 LWT 480 LWT
740 LWT 485 LWT
745 LWT 490 LWT
750 LWT VERTICAL
360 FLS TN
450 GV VERTICAL
480 PGV LWT

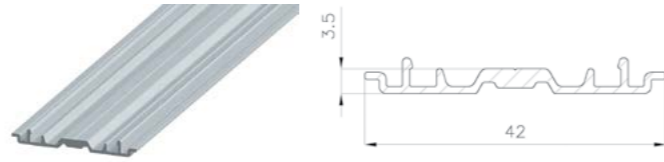
CODE CODICE	A (mm)	B (mm)	C (mm)	D (mm)	L (mm)
10VGA001* 10079	18	8	7,5	1,5	6000
10VGA003 10078	25	10	12	2	

ANODIZED ALUMINIUM GASKET-HOLDER PROFILE
PROFILO IN ALLUMINIO ANODIZZATO SOSTEGNO
GUARNIZIONE
PERFIL ALUMINIO ANODIZADO APOYO BURLETE
PROFIL ALUMINIUM ANODISÉ SOUTIEN JOINT
ELOXIERTES ALUMINIUM DICHTUNGSTÜTZEPROFIL



10VRG001

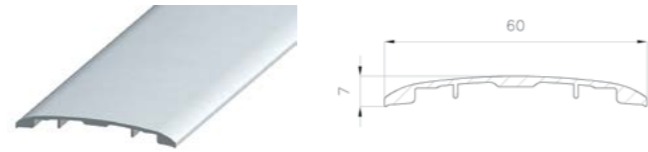
ALUMINIUM HEATING CABLE SUPPORT PROFILE
BAR L=6500
PROFILO IN ALLUMINIO SUPPORTO RESISTENZA
BARRA L=6500
PERFIL ALUMINIO SOPORTE RESISTENCIA
BARRA L=6500
PROFIL ALUMINIUM SUPPORT CORDON
CHAUFFANT BARRE L=6500
ALUMINIUM PROFIL FÜR HEIZKABEL STAB L=6500



740 LWT
745 LWT
750 LWT
480 LWT
485 LWT
490 LWT
VERTICAL LWT

10VCA001 10053

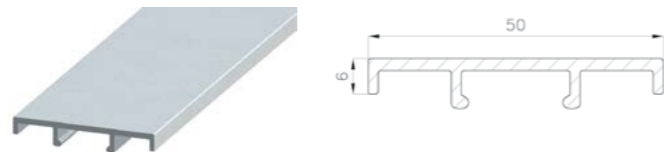
ANODIZED ALUMINIUM HEATING CABLE SUPPORT
COVERING PROFILE BAR L=6500
PROFILO IN ALLUMINIO ANODIZZATO COPERTURA
PER SUPPORTO RESISTENZA BARRA L=6500
PERFIL ALUMINIO ANODIZADO COBERTURA PARA
SOPORTE RESISTENCIA BARRA L=6500
PROFIL ALUMINIUM ANODISÉ COUVERTURE POUR
SUPPORT CORDON CHAUFFANT BARRE L=6500
ELOXIERTES ALUMINIUM PROFIL
ZUR HEIZKABELBEDECKUNG STAB L=6500



740 LWT
745 LWT
750 LWT
480 LWT
485 LWT
490 LWT
VERTICAL LWT

10VCA003 10084

ANODIZED ALUMINIUM FRAME HEATING CABLE
PASSAGEWAY COVERING PROFILE 140 BAR L=6500
PROFILO IN ALLUMINIO ANODIZZATO COPERTURA
VANO PASSAGGIO RESISTENZA TELAIO 140 BARRA
L=6500
PERFIL ALUMINIO ANODIZADO COBERTURA ZONA
PASAJE RESISTENCIA MARCO 140 BARRA L=6500
PROFIL ALUMINIUM ANODISÉ COUVERTURE
ESPACE PASSAGE CORDON CHAUFFANT HUISSERIE
140 BARRE L=6500
ELOXIERTES ALUMINIUM PROFIL FÜR
HEIZKABELDURCHGANG RAHMEN 140 STAB L=6500



740 LWT
745 LWT
750 LWT
480 LWT
485 LWT
490 LWT
VERTICAL LWT

10PDA001 10045

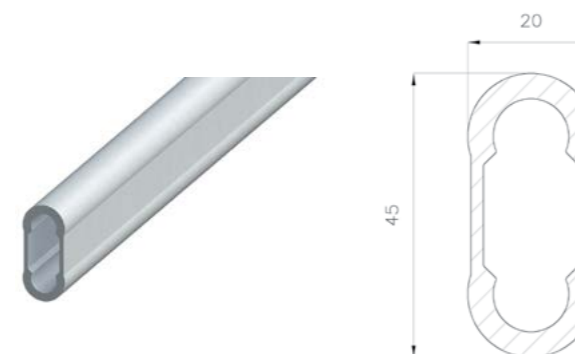
ANODIZED ALUMINIUM TRACK PROFILE
MODEL 240 BAR L=7000
PROFILO IN ALLUMINIO ANODIZZATO BINARIO
MODELLO 240 BARRA L=7000
PERFIL ALUMINIO ANODIZADO CARRIL
MODELLO 240 BARRA L=7000
PROFIL ALUMINIUM ANODISÉ RAILLE
MODELE 240 BARRE L=7000
ELOXIERTES ALUMINIUM SCHIENENPROFIL
MODELL 240 STAB L=7000



240 AM
240 S

10BLA001

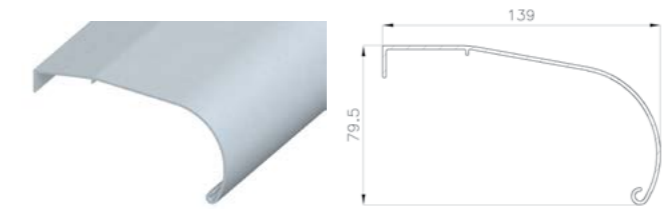
ANODIZED ALUMINIUM TRACK PROFILE
"LIGHT" MODEL BAR L= 6350
PROFILO IN ALLUMINIO ANODIZZATO BINARIO
MODELLO "LIGHT" BARRA L= 6350
PERFIL ALUMINIO ANODIZADO CARRIL
MODELLO "LIGHT" BARRA L= 6350
PROFIL ALUMINIUM ANODISÉ RAILLE
MODELE "LIGHT" BARRE L= 6350
ELOXIERTES ALUMINIUM SCHIENENPROFIL
MODELL "LIGHT" STAB L= 6350



360 LS
360 FLS

10CLA001

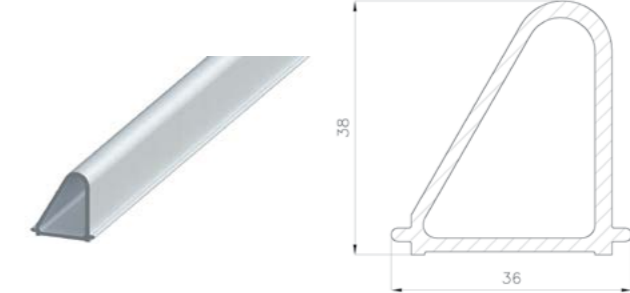
ANODIZED ALUMINIUM TRACK COVER PROFILE
"LIGHT" MODEL BAR L= 7000
PROFILO IN ALLUMINIO ANODIZZATO COPERTINA
BINARIO MODELLO "LIGHT" BARRA L= 7000
PERFIL ALUMINIO ANODIZADO MAMPARA CARRIL
MODELLO "LIGHT" BARRA L= 7000
PROFIL ALUMINIUM ANODISÉ CACHE RAILLE
MODELE "LIGHT" BARRE L= 7000
ELOXIERTES ALUMINIUM SCHIENEBEDECKUNGSPROFIL
MODELL "LIGHT" STAB L=7000



360 LS
360 FLS

10INA001 10042

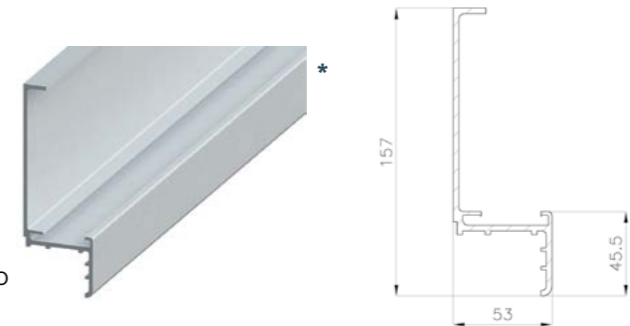
ANODIZED ALUMINIUM TRACK PROFILE
CLASSIC MODEL BAR L=7000
PROFILO IN ALLUMINIO ANODIZZATO BINARIO
MODELLO CLASSICO BARRA L=7000
PERFIL ALUMINIO ANODIZADO CARRIL
MODELLO CLÁSICO BARRA L=7000
PROFIL ALUMINIUM ANODISÉ RAILLE
MODELE CLASSIQUE BARRE L=7000
ELOXIERTES ALUMINIUM SCHIENENPROFIL
KLASSISCHES MODELL STAB L=7000



450 GV
480 PGV
480 ATMC
480 ST
480 PT
480 TN
480 LT
480 LTB
480 LWT
485 LWT
490 LWT

CODE CODICE	L (mm)
10PNA001* 10041	4520
10PNA002 10041	5520
10PNA003 10041	6400
10PNA006 10041	7000

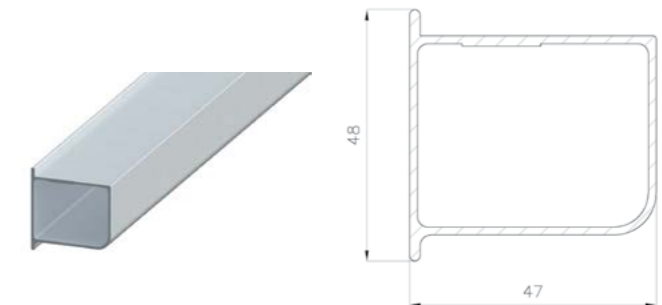
ANODIZED ALUMINIUM TRACK-HOLDER PROFILE
CLASSIC MODEL
PROFILO IN ALLUMINIO ANODIZZATO SUPPORTO BINARIO
MODELLO CLASSICO
PERFIL ALUMINIO ANODIZADO SOPORTE CARRIL
MODELLO CLÁSICO
PROFIL ALUMINIUM ANODISÉ SUPPORT RAILLE
MODELE CLASSIQUE
ELOXIERTES ALUMINIUM SCHIENENPROFIL
KLASSISCHE MODELL



450 GV
480 PGV
480 ATMC
480 ST
480 PT
480 TN
480 LT
480 LTB
480 LWT
485 LWT
490 LWT

10RNA001 10043

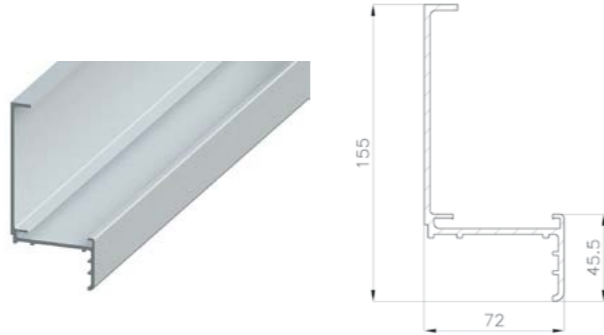
ANODIZED ALUMINIUM TRACK REINFORCEMENT
PROFILE CLASSIC MODEL BAR L=7000
PROFILO IN ALLUMINIO ANODIZZATO RINFORZO
BINARIO MODELLO CLASSICO BARRA L=7000
PERFIL ALUMINIO ANODIZADO REFUERZO CARRIL
MODELLO CLÁSICO BARRA L=7000
PROFIL ALUMINIUM ANODISÉ RENFORT RAILLE
MODELE CLASSIQUE BARRE L=7000
ELOXIERTES ALUMINIUM PROFIL
ZUR SCHIENENVERSTÄRKUNG KLASSISCHES
MODELL STAB L=7000



450 GV
480 PGV
480 ATMC
480 ST
480 PT
480 TN
480 LT
480 LTB
480 LWT
485 LWT
490 LWT

10PPA004 10048

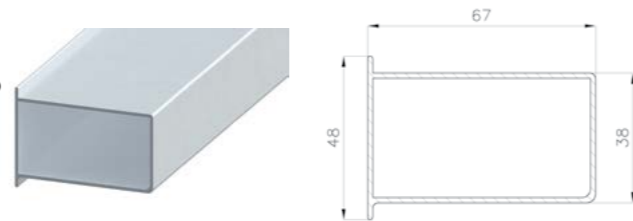
ANODIZED ALUMINIUM TRACK-HOLDER PROFILE
CLASSIC MODEL BIG DOOR BAR L=7000
PROFILO IN ALLUMINIO ANODIZZATO
SUPPORTO BINARIO MODELLO CLASSICO
PER PORTE GRANDI BARRA L=7000
PERFIL ALUMINIO ANODIZADO SOPORTE CARRIL
MODELO CLÁSICO PARA PUERTAS GRANDES
BARRA L=7000
PROFIL ALUMINIUM ANODISÉ SUPPORT RAILLE
MODELE CLASSIQUE GRANDES PORTES
BARRE L=7000
ELOXIERTES ALUMINIUM
SCHIENENSUPPORTPROFIL KLASSISCHES MODELL
FÜR GROSSE TÜR STAB L=7000



450 GV
480 TN
480 LT
480 LTB
480 LWT
485 LWT
490 LWT

10RPA001 10081

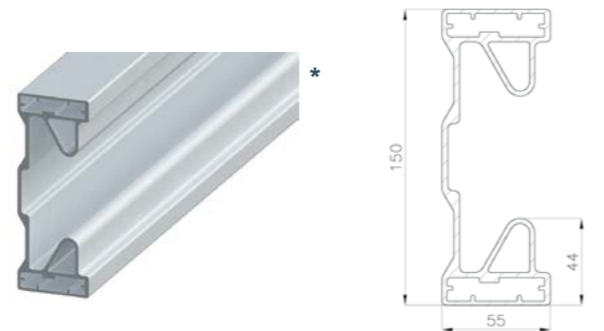
ANODIZED ALUMINIUM TRACK REINFORCEMENT
PROFILE BIG DOOR BAR L=7000
PROFILO IN ALLUMINIO ANODIZZATO RINFORZO BINARIO
PER PORTE GRANDI BARRA L=7000
PERFIL ALUMINIO ANODIZADO REFUERZO CARRIL
PARA PUERTAS GRANDES BARRA L=7000
PROFIL ALUMINIUM ANODISÉ RENFORT RAILLE
GRANDS PORTS BARRE L=7000
ELOXIERTES ALUMINIUM PROFIL
ZUR SCHIENENVERSTÄRKUNG FÜR GROSSE TÜR
STAB L=7000



450 GV
480 TN
480 LT
480 LTB
480 LWT
485 LWT
490 LWT

CODE CODICE	L (mm)
10PMA002	4100
10PMA001*	4950
10PMA005	6000

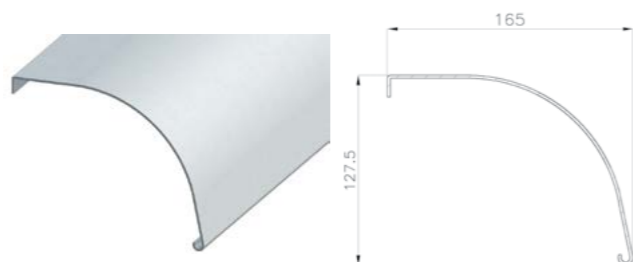
ANODIZED ALUMINIUM TRACK PROFILE
"MIRROR" MODEL
PROFILO IN ALLUMINIO ANODIZZATO BINARIO
MODELLO "MIRROR"
PERFIL ALUMINIO ANODIZADO CARRIL
MODELO "MIRROR"
PROFIL ALUMINIUM ANODISÉ RAILLE MODELE "MIRROR"
ELOXIERTES ALUMINIUM SCHIENENPROFIL
MODELL "MIRROR"



450 GV
480 PGV
480 ATMC
480 ST
480 PT
480 TN
480 LT
480 LTB
480 LWT
485 LWT
490 LWT

10PCA005

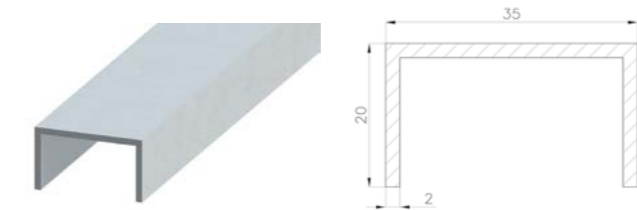
ANODIZED ALUMINIUM TRACK COVER PROFILE
"MIRROR" MODEL L=6250
PROFILO IN ALLUMINIO ANODIZZATO
COPERTINA BINARIO MODELLO "MIRROR" L=6250
PERFIL ALUMINIO ANODIZADO MAMPARA CARRIL
MODELO "MIRROR" L=6250
PROFIL ALUMINIUM ANODISÉ CACHE RAILLE
MODELE "MIRROR" L=6250
ELOXIERTES ALUMINIUM
SCHIENENBEDECKUNGPROFIL MODELL "MIRROR"
L=6250



450 GV
480 PGV
480 ATMC
480 ST
480 PT
480 TN
480 LT
480 LTB
480 LWT
485 LWT
490 LWT

10VUA003

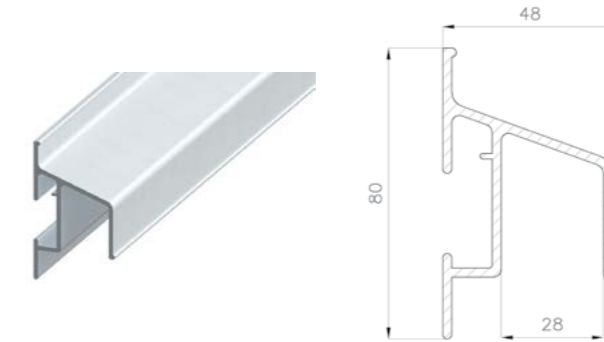
ANODIZED ALUMINIUM U-PROFILE 35X20X2 BAR L=6000
PROFILO IN ALLUMINIO ANODIZZATO SEZIONE AD "U"
35X20X2 BARRA L=6000
PERFIL ALUMINIO ANODIZADO SECCION AD "U" 35X20X2
BARRA L=6000
PROFIL ALUMINIUM ANODISÉ SECTION EN "U" 35X20X2
BARRE L=6000
ELOXIERTES ALUMINIUM U-PROFIL 35X20X2
STAB L=6000



240 S
360 LS
480 ST

10GUA001 10044

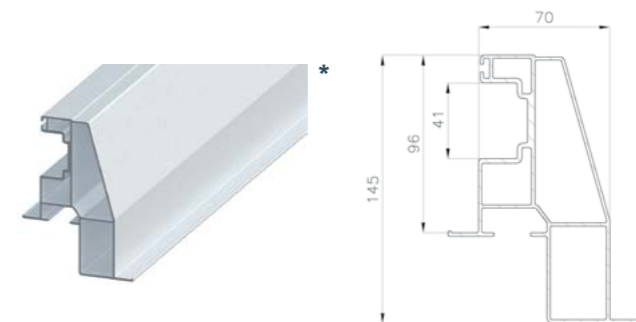
ANODIZED ALUMINIUM WALL SIDE GUIDE PROFILE
FOR PANEL L=7000
PROFILO IN ALLUMINIO ANODIZZATO GUIDA
POSTERIORE SU PANNELLO L=7000
PERFIL ALUMINIO ANODIZADO GUÍA POSTERIOR
SU PANNELLO L=7000
PROFIL ALUMINIUM ANODISÉ GUIDE ARRIERE
SUR PANNEAU L=7000
ELOXIERTES ALUMINIUM HINTERES FÜHRUNGPROFIL
AUF PANEL L=7000



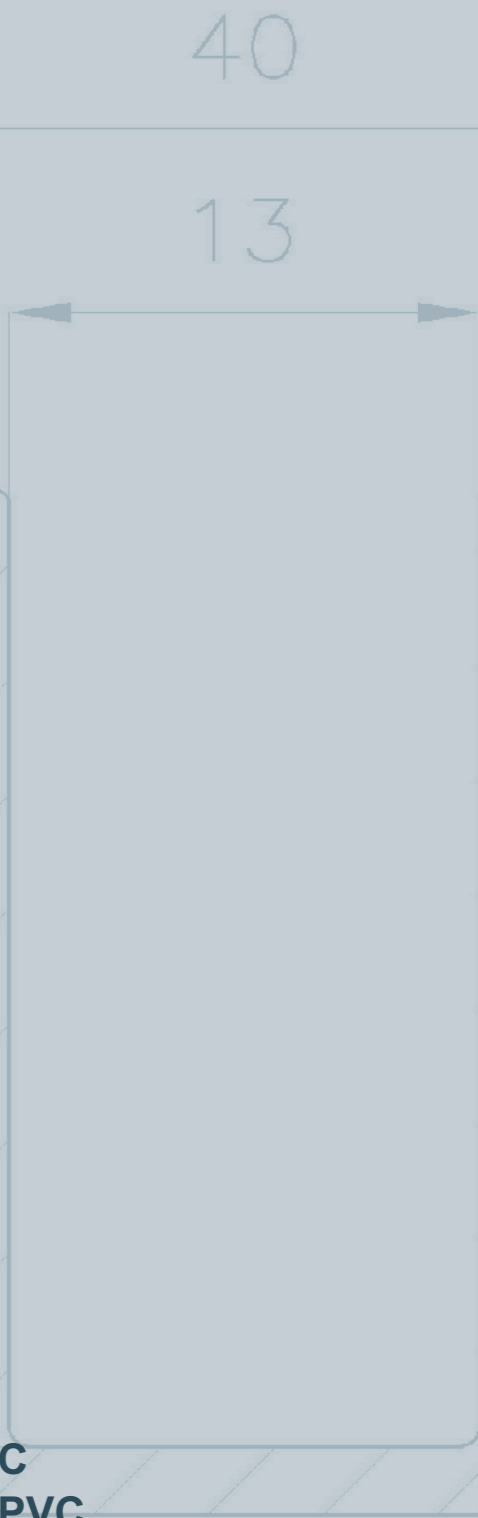
360 FLS
450 GV
480 PGV
480 ATMC
480 PT
480 TN
480 LT
480 LTB
480 LWT
485 LWT
490 LWT

CODE CODICE	L (mm)
10GUA003*	4600
10GUA004	6600

ANODIZED ALUMINIUM GUIDE PROFILE
FOR VERTICAL SLIDING DOOR
PROFILO IN ALLUMINIO ANODIZZATO GUIDA
PER PORTA SCORREVOLE VERTICALE
PERFIL ALUMINIO ANODIZADO GUÍA
PARA PUERTA CORREDERAS VERTICAL
PROFIL ALUMINIUM ANODISÉ GUIDE
POUR PORTE COULISSANT VERTICAL
ELOXIERTES ALUMINIUM FÜHRUNGPROFIL
FÜR VERTIKALSCHIEBETÜR



VERTICAL TN
VERTICAL LWT

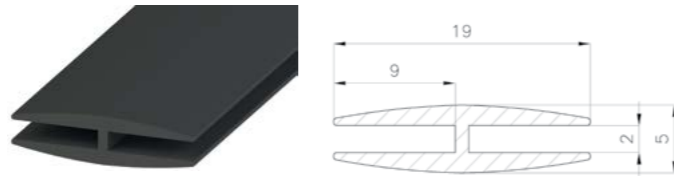


PVC PROFILES

PROFILI IN PVC
PERFILES EN PVC
PROFILS PVC
PVC-PROFILE

11AAL030
12011

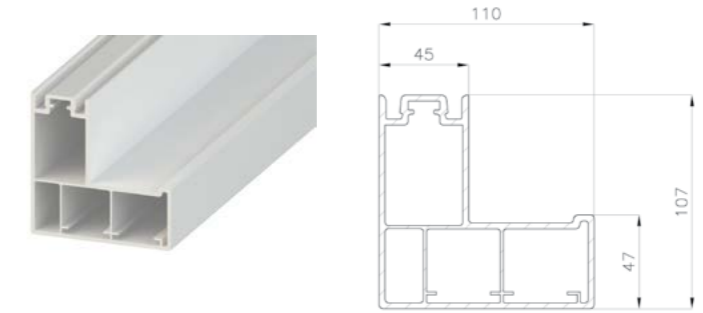
PVC H-PROFILE FOR TO & FRO BAR L=3100
PROFILO IN PVC AD "H" PER VA E VIENI BARRA L=3100
PERFIL PVC A "H" PARA VAIVÉN BARRA L=3100
PROFIL PVC EN "H" POUR VA ET VIENT BARRE L=3100
PVC H-PROFIL FÜR PENDELTÜREN STAB L=3100



TO & FRO

12MON011

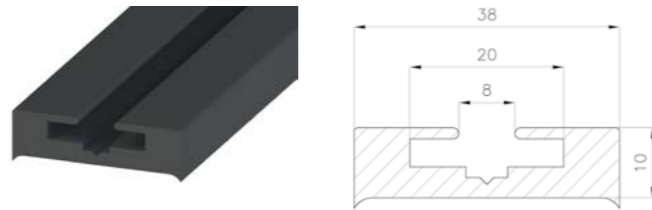
PVC PROFILE FRAME 110/60 WHITE RAL9010
BAR L=6600
PROFILO IN PVC TELAIO 110/60 BIANCO RAL9010
BARRA L=6600
PERFIL PVC MARCO 110/60 BLANCO RAL9010
BARRA L=6600
PROFIL PVC HUISSERIE 110/60 BLANC RAL9010
BARRE L=6600
PVC PROFIL RAHMEN 110/60 WEISS RAL9010
STAB L=6600



500 TN
540 TN
GV 5
603 LWT
360 FLS
450 GV
480 PGV
480 PT
480 TN
480 LT
480 LTB

11AAL020
12021

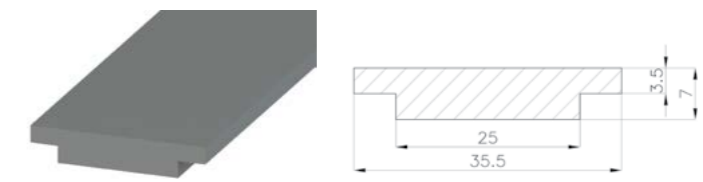
GASKET SUPPORT PVC PROFILE
FOR TO & FRO STAINLESS STEEL DOOR BAR L=2200
PROFILO IN PVC SUPPORTO GUARNIZIONE
PER VA E VIENI BATTENTE INOX BARRA L=2200
PERFIL PVC SOPORTE BURLETE
PARA BATIENDE VAIVÉN INOX BARRA L=2200
PROFIL PVC SOUTIEN JOINT
POUR VA ET VIENT VANTAIL INOX BARRE L=2200
PVC PROFIL HALTER DICHTUNG
FÜR PENDELTÜREN EDELSTAHL FLÜGEL
STAB L=2200



TO & FRO
STAINLESS STEEL

12VAR103

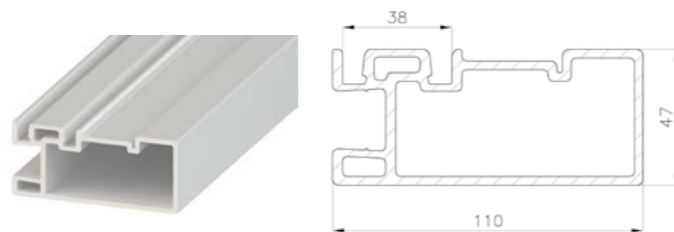
FRAME REINFORCEMENT PVC PROFILE 110/60
BAR L=5000
PROFILO IN PVC RINFORZO TELAIO 110/60
BARRA L=5000
PERFIL PVC REFUERZO MARCO 110/60
BARRA L=5000
PROFIL PVC RENFORCEMENT HUISSERIE 110/60
BARRE L=5000
PVC PROFIL VERSTÄRKUNG RAHMEN 110/60
STAB L=5000



500 TN
540 TN
GV 5
603 LWT
360 FLS
450 GV
480 PGV
480 PT
480 TN
480 LT
480 LTB

12MON001
12023

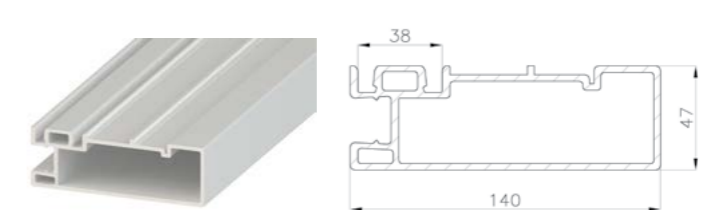
PVC PROFILE FRAME 110 WHITE RAL9010
BAR L=5300
PROFILO IN PVC TELAIO 110 BIANCO RAL9010
BARRA L=5300
PERFIL PVC MARCO 110 BLANCO RAL9010
BARRA L=5300
PROFIL PVC HUISSERIE 110 BLANC RAL9010
BARRE L=5300
PVC PROFIL RAHMEN 110 WEISS RAL9010
STAB L=5300



TO & FRO
500 TN
540 TN
GV 5
603 LWT
604 LWT
360 FLS
450 GV
480 PGV
480 PT
480 TN
480 LT
480 LTB
480 LWT
485 LWT
490 LWT
VERTICAL TN
VERTICAL LWT

12MON002
12022

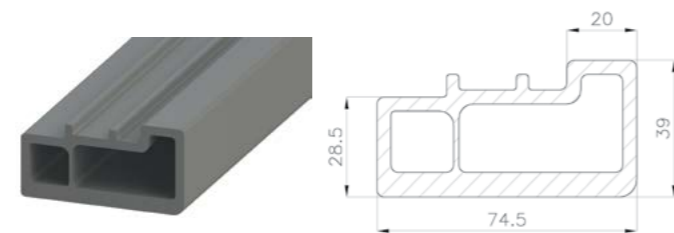
PVC PROFILE FRAME 140 WHITE RAL9010
BAR L=5400
PROFILO IN PVC TELAIO 140 BIANCO RAL9010
BARRA L=5400
PERFIL PVC MARCO 140 BLANCO RAL9010
BARRA L=5400
PROFIL PVC HUISSERIE 140 BLANC RAL9010
BARRE L=5400
PVC PROFIL RAHMEN 140 WEISS RAL9010
STAB L=5400



740 LWT
745 LWT
750 LWT
480 ATMC
480 LWT
485 LWT
490 LWT
VERTICAL TN
VERTICAL LWT

12VAR500

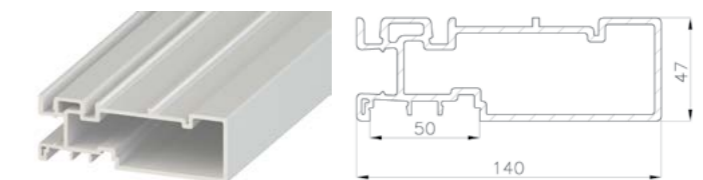
FRAME REINFORCEMENT PLASTIC PROFILE
BAR L=4000
PROFILO IN PLASTICA RINFORZO TELAIO
BARRA L=4000
PERFIL DE PLÁSTICO REFUERZO MARCO
BARRA L=4000
PROFIL EN PLASTIQUE RENFORCEMENT HUISSERIE
BARRE L=4000
PLASTIK PROFIL VERSTÄRKUNG RAHMEN
STAB L=4000



500 TN
540 TN
GV 5
603 LWT
604 LWT
740 LWT
745 LWT
750 LWT
360 FLS
450 GV
480 PGV
480 ATMC
480 PT
480 TN
480 LTB
480 LWT
485 LWT
490 LWT
VERTICAL TN
VERTICAL LWT

12MON013

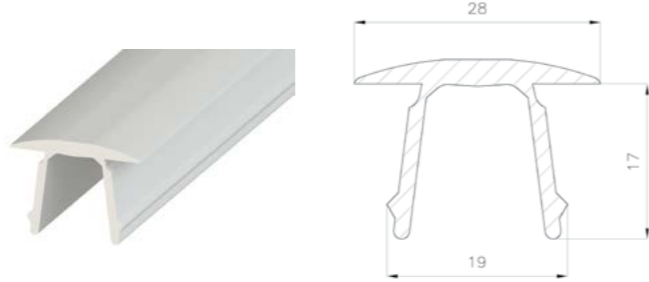
PVC PROFILE FRAME 140 WITH HEATING CABLE
PASSAGEWAY WHITE RAL9010 BAR L=5300
PROFILO IN PVC TELAIO 140 CON PASSAGGIO
RESISTENZA BIANCO RAL9010 BARRA L=5300
PERFIL PVC MARCO 140 CON PASAJE RESISTENCIA
BLANCO RAL9010 BARRA L=5300
PROFIL PVC HUISSERIE 140 AVEC PASSAGE
RÉSISTANCE BLANC RAL9010 BARRE L=5300
PVC PROFIL RAHMEN 140 MIT HEIZLEIZUNG
DURCHGEHEND WEISS RAL9010 STAB L=5300



740 LWT
745 LWT
750 LWT
480 LWT
485 LWT
490 LWT
VERTICAL LWT

12GIU001
12028

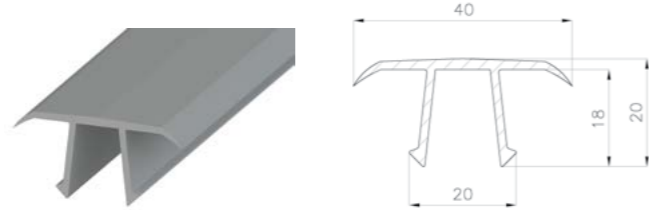
THERMAL BREAK PASSAGEWAY COVERING PVC PROFILE WHITE RAL9010 BAR L=4500
 PROFILO IN PVC COPERTURA VANO TAGLIO TERMICO BIANCO RAL9010 BARRA L=4500
 PERFIL PVC COBERTURA ZONA CORTE TÉRMICO BLANCO RAL9010 BARRA L=4500
 PROFIL PVC FERMETURE ESPACE BARRIÈRE THERMIQUE BLANC RAL9010 BARRE L=4500
 PVC PROFIL THERMISCHE TRENNUNG WEISS RAL9010 STAB L=4500



TO & FRO 480 PT
 500 TN 480 TN
 540 TN 480 LT
 GV 5 480 LTB
 603 LWT 480 LWT
 604 LWT 485 LWT
 740 LWT 490 LWT
 745 LWT VERTICAL TN
 750 LWT VERTICAL TN
 360 FLS VERTICAL LWT
 450 GV VERTICAL LWT
 480 PGV VERTICAL LWT
 480 ATMC VERTICAL LWT

12GIU003
12032

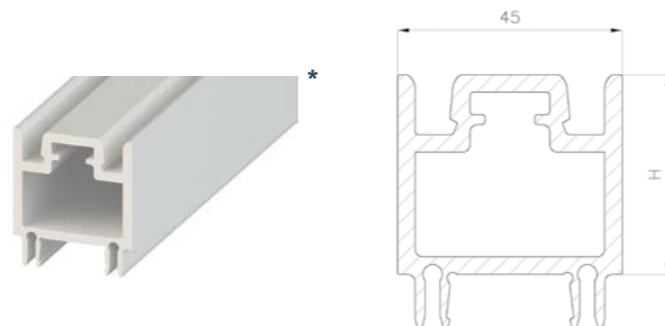
THERMAL BREAK PASSAGEWAY COVERING PVC PROFILE GREY FOR COATED FRAME BAR L=4500
 PROFILO IN PVC COPERTURA VANO TAGLIO TERMICO GRIGIO PER TELAIO RIVESTITO BARRA L=4500
 PERFIL PVC COBERTURA ZONA CORTE TÉRMICO GRIS PARA MARCO RECUBIERTO BARRA L=4500
 PROFIL PVC FERMETURE ESPACE BARRIÈRE THERMIQUE GRIS POUR HUISSERIE REVÊTU BARRE L=4500
 PVC PROFIL THERMISCHE TRENNUNG GRAU FÜR VERKLEIDETEN RAHMEN STAB L=4500



TO & FRO 480 PT
 500 TN 480 TN
 540 TN 480 LT
 GV 5 480 LTB
 603 LWT 480 LWT
 604 LWT 485 LWT
 740 LWT 490 LWT
 745 LWT VERTICAL TN
 750 LWT VERTICAL TN
 360 FLS VERTICAL LWT
 450 GV VERTICAL LWT
 480 PGV VERTICAL LWT
 480 ATMC VERTICAL LWT

CODE CODICE	H (mm)	L (mm)
12COS002 12027	20	5400
12COS003 12026	30	
12COS004*	40	
12COS006 12025	60	
12COS008 12030	80	
12COS010 12031	100	

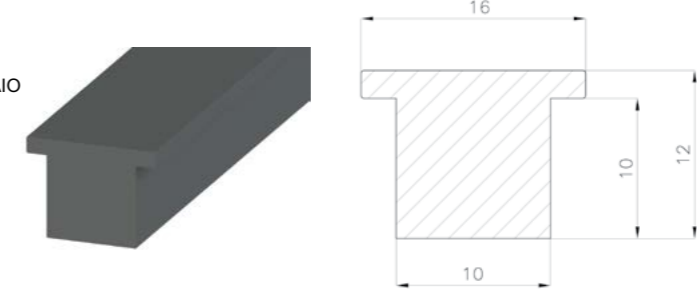
SIDE FRAME PVC PROFILE WHITE RAL9010
 PROFILO IN PVC COSTA TELAIO BIANCO RAL9010
 PERFIL PVC MARCO INTERIOIR BLANCO RAL9010
 PROFIL PVC CÔTE HUISSERIE BLANC RAL9010
 PVC PROFIL STÄRKE RAHMEN WEISS RAL9010



TO & FRO 480 PT
 500 TN 480 TN
 540 TN 480 LT
 GV 5 480 LTB
 603 LWT 480 LWT
 604 LWT 485 LWT
 740 LWT 490 LWT
 745 LWT VERTICAL TN
 750 LWT VERTICAL TN
 360 FLS VERTICAL LWT
 450 GV VERTICAL LWT
 480 PGV VERTICAL LWT
 480 ATMC VERTICAL LWT

12VAR101
12029

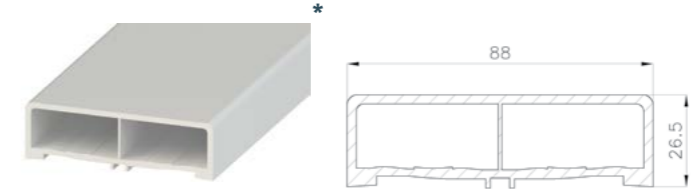
PVC PROFILE FOR COUNTEFRAME TO SIDE FRAME CONNECTION BAR L=2000
 PROFILO IN PVC PER COLLEGAMENTO CONTROTELAIO SU COSTA BARRA L=2000
 PERFIL PVC PARA CONEXIÓN CONTROMARCO EN MARCO INTERIOR BARRA L=2000
 PROFIL PVC POUR LIAISON CONTRE-CADRE SUR CÔTE BARRA L=2000
 PVC PROFIL FÜR VERBINDUNG KLEMMRAHMEN AUF STÄRKE STAB L=2000



TO & FRO 480 PT
 500 TN 480 TN
 540 TN 480 LT
 GV 5 480 LTB
 603 LWT 480 LWT
 604 LWT 485 LWT
 740 LWT 490 LWT
 745 LWT VERTICAL TN
 750 LWT VERTICAL TN
 360 FLS VERTICAL LWT
 450 GV VERTICAL LWT
 480 PGV VERTICAL LWT
 480 ATMC VERTICAL LWT

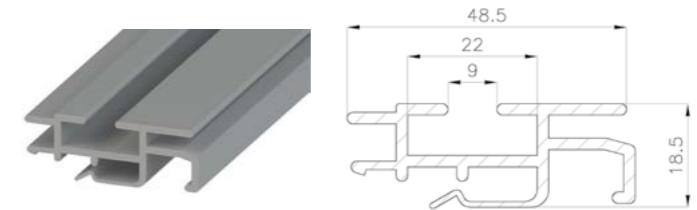
CODE CODICE	PERFORATED PREFORATO / PERFORADO PERFORE / PERFORIERT
12NTR002* 12015	●
12NTR006	●

COUNTERFRAME PVC PROFILE WITH PROTECTION WHITE RAL9010 BAR L=6500
 PROFILO IN PVC CONTROTELAIO CON PROTEZIONE BIANCO RAL9010 BARRA L=6500
 PERFIL PVC CONTROMARCO CON PROTECCIÓN BLANCO RAL9010 BARRA L=6500
 PROFIL PVC CONTRE-CADRE AVEC PROTECTION BLANC RAL9010 BARRE L=6500
 PVC PROFIL KLEMMRAHMEN MIT SCHUTZ WEISS RAL9010 STAB L=6500



11AAL060
12016

ADDITIONAL GASKET SUPPORT PVC PROFILE GREY BAR L=6500
 PROFILO IN PVC SUPPORTO GUARNIZIONE AGGIUNTIVA GRIGIO BARRA L=6500
 PERFIL PVC SOPORTE BURLETE ADICIONAL GRIS BARRA L=6500
 PROFIL PVC SOUTIEN JOINT SUPPLÉMENTAIRE GRIS BARRE L=6500
 PVC PROFIL HALTER ZUSATZDICHTUNG GRAU STAB L=6500

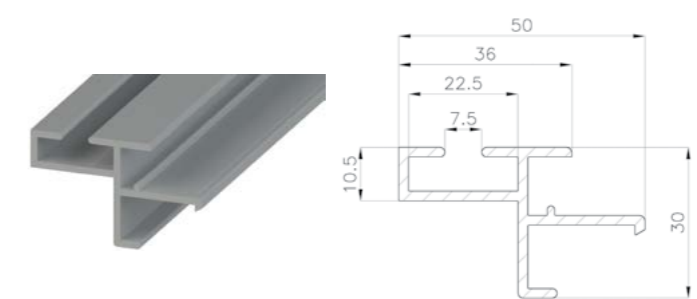


TO & FRO 480 PT
 500 TN 480 TN
 540 TN 480 LT
 GV 5 480 LTB
 603 LWT 480 LWT
 604 LWT 485 LWT
 740 LWT 490 LWT
 745 LWT VERTICAL TN
 750 LWT VERTICAL TN
 360 FLS VERTICAL LWT
 450 GV VERTICAL LWT
 480 PGV VERTICAL LWT
 480 ATMC VERTICAL LWT

740 LWT
 745 LWT
 750 LWT
 480 LWT
 485 LWT
 490 LWT
 VERTICAL LWT

11AAL070
12014

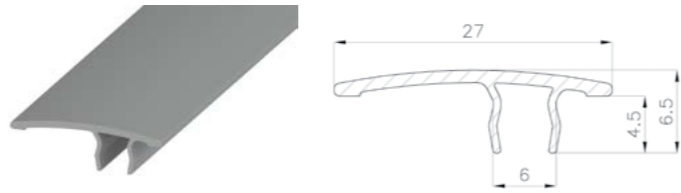
PERIMETER GASKET HOLDER PVC PROFILE STAINLESS STEEL DOOR GREY BAR L=6500
 PROFILO IN PVC SUPPORTO GUARNIZIONE PERIMETRALE PORTA INOX GRIGIO BARRA L=6500
 PERFIL PVC SOPORTE BURLETE PERIMETRAL PUERTA INOX GRIS BARRA L=6500
 PROFIL PVC SOUTIEN JOINT PÉRIPHÉRIQUE PORTE INOX GRIS BARRE L=6500
 PVC PROFIL HALTER AUSSENDICHTUNG TÜR INOX GRAU STAB L=6500



ALL STAINLESS STEEL MODELS EXCEPT FOR: SERVICE DOOR
 TO & FRO 540 TN
 240 AM
 480 ATMC

12BAT200

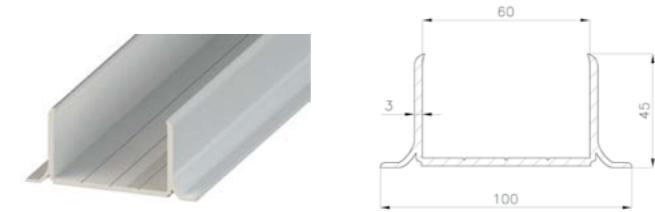
GASKET SUPPORT COVERING PVC PROFILE
GREY BAR L=6000
PROFILO IN PVC COPERTURA SUPPORTO
GUARNIZIONE GRIGIO BARRA L=6000
PERFIL PVC COBERTURA SOPORTE BURLETE GRIS
BARRA L=6000
PROFIL PVC FERMETURE SOUTIEN JOINT GRIS
BARRE L=6000
PVC PROFIL BEDECKUNG HALTER DICHTUNG GRAU
STAB L=6000



500 TN 2W
740 LWT
745 LWT
750 LWT
480 LWT
485 LWT
490 LWT
VERTICAL LWT

12CEL058

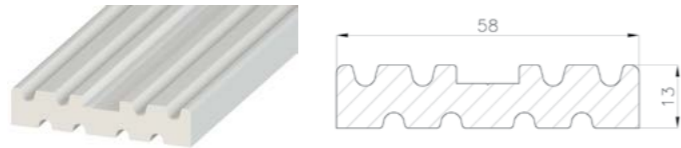
PVC C-PROFILE FOR COLDROOM PANELS THK=60
WHITE RAL9010 BAR L=4000
PROFILO IN PVC A "C" PER PANNELLI CELLA SP=60
BIANCO RAL9010 BARRA L=4000
PERFIL PVC A "C" PARA PANELES CÁMARA
FRIGORÍFICA ESP=60 BLANCO RAL9010
BARRA L=4000
PROFIL PVC EN "C" POUR PANNEAUX CHAMBRE
FROIDE ÉPAIS=60 BLANC RAL9010 BARRE L=4000
PVC C-PROFIL FÜR ZELLENPANEEL S=60
RAL9010 STAB L=4000



COLDROOM TN

**11INF080
12019**

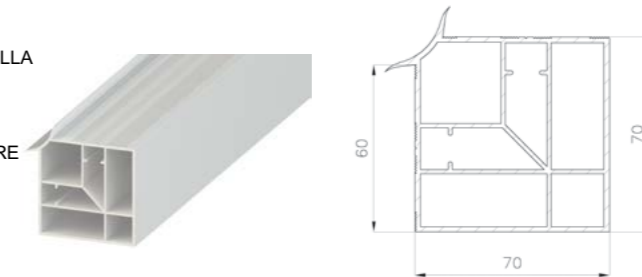
THRESHOLD HEATING CABLE SUPPORT PVC
PROFILE BAR L=3000
PROFILO IN PVC SUPPORTO RESISTENZA SU SOGLIA
BARRA L=3000
PERFIL PVC SOPORTE RESISTENCIA EN UMBRAL
BARRA L=3000
PROFIL PVC SOUTIEN CORDON CHAUFFANT
SUR SEUIL BARRE L=3000
PVC PROFIL HALTER DICHTUNG AUF SCHWELLE
STAB L=3000



740 LWT
745 LWT
750 LWT
480 LWT
485 LWT
490 LWT
VERTICAL LWT

12CEL056

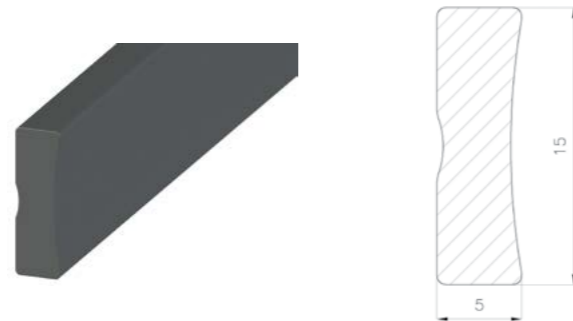
PILLAR JUNCTION EDGE PVC PROFILE 70X70
FOR COLDROOM PANELS THK=60 WHITE RAL9010
BAR L=6000
PROFILO IN PVC CANTONALE 70X70 PER PANNELLI CELLA
SP=60 BIANCO RAL9010 BARRA L=6000
PERFIL PVC LATERAL 70X70 PARA PANELES CÁMARA
FRIGORÍFICA ESP=60 BLANCO RAL9010 BARRA L=6000
PROFIL PVC POTEAU 70X70 POUR PANNEAUX CHAMBRE
FROIDE ÉPAIS=60 BLANC RAL9010 BARRE L=6000
PVC PROFIL KANTONAL 70X70
FÜR ZELLENPANEEL S=60 ÄHNLICH WEISS RAL9010
STAB L=6000



COLDROOM TN

12VAR402

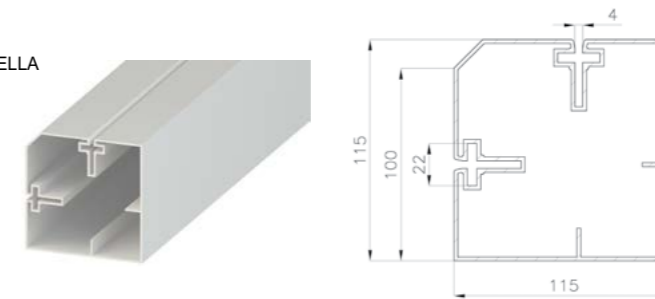
FLAT PVC PROFILE FOR LOWER GASKET FIXING
15X5 BAR L=4000
PROFILO IN PVC PIATTO PER FISSAGGIO
GUARNIZIONE INFERIORE 15X5 BARRA L=4000
PERFIL PVC PLANO PARA FIJACIÓN BURLETE
INFERIOR 15X5 BARRA L=4000
PROFIL PVC PLAT POUR FIXAGE JOINT INFÉRIEUR
15X5 BARRE L=4000
PVC PROFIL FLACH FÜR FIXIERUNG UNTERE
DICHTUNG 15X5 STAB L=4000



ALL MODELS
EXCEPT FOR:
SERVICE DOOR
TO & FRO

12CEL002

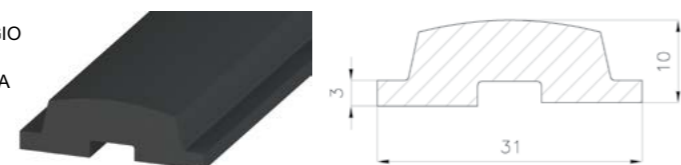
PILLAR JUNCTION EDGE PVC PROFILE 115X115
FOR COLDROOM PANELS THK=100 WHITE RAL9010
BAR L=5000
PROFILO IN PVC CANTONALE 115X115 PER PANNELLI CELLA
SP=100 BIANCO RAL9010 BARRA L=5000
PERFIL PVC LATERAL 115X115 PARA PANELES C
ÁMARA FRIGORÍFICA ESP=100 BLANCO RAL9010
BARRA L=5000
PROFIL PVC POTEAU 115X115 POUR PANNEAUX
CHAMBRE FROIDE ÉPAIS=100 BLANC RAL9010
BARRE L=5000
PVC PROFIL KANTONAL 115X115
FÜR ZELLENPANEEL S=100 RAL9010 STAB L=5000



COLDROOM BT

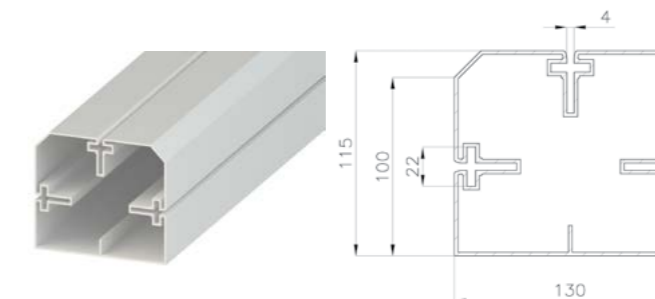
**11PLE002
12013**

MECHANICAL FIXING GASKET SUPPORT PVC PROFILE
BAR L=3000
PROFILO IN PVC SUPPORTO GUARNIZIONE A FISSAGGIO
MECCANICO BARRA L=3000
PERFIL PVC SOPORTE BURLETE A FIJACIÓN MECÁNICA
BARRA L=3000
PROFIL PVC SOUTIEN JOINT A FIXATION MÉCANIQUE
BARRE L=3000
PVC PROFIL HALTER DICHTUNG MIT MECHANISCHEN
FIXIERUNG STAB L=3000



12CEL003

THREE-WAY PILLAR PVC PROFILE 130X115
FOR COLDROOM PANELS THK=100 WHITE RAL9010
BAR L=5000
PROFILO IN PVC CANTONALE TRE VIE 130X115
PER PANNELLI CELLA SP=100 BIANCO RAL9010
BARRA L=5000
PERFIL PVC LATERAL TRES VIAS 130X115 PARA
PANELES CÁMARA FRIGORÍFICA ESP=100
BLANCO RAL9010 BARRA L=5000
PROFIL PVC POTEAU TROIS VOIES 130X115
POUR PANNEAUX CHAMBRE FROIDE ÉPAIS=100
BLANC RAL9010 BARRE L=5000
PVC PROFIL KANTONAL DREI WEGE 130X115
FÜR ZELLENPANEEL S=100 RAL9010 STAB L=5000

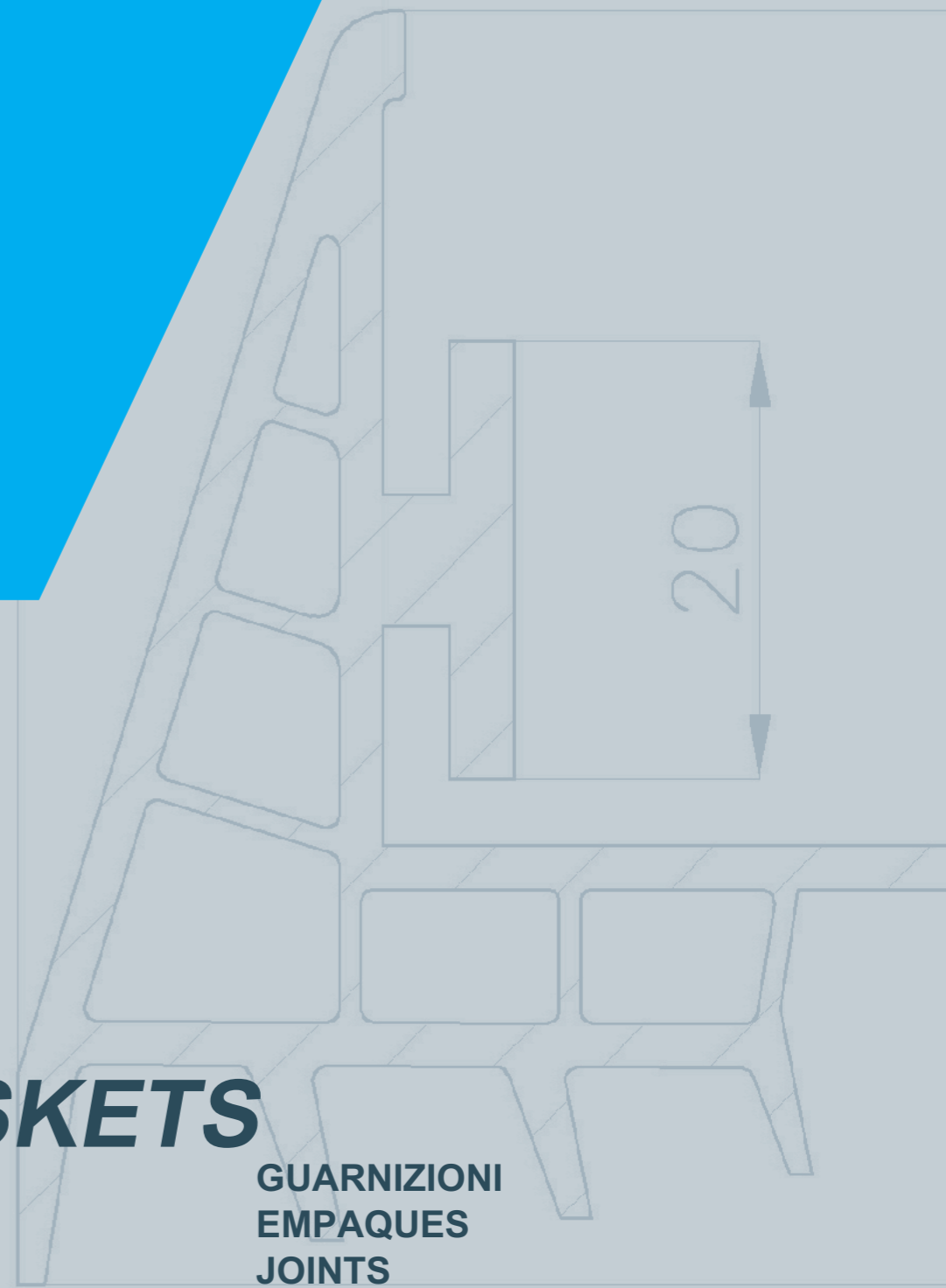
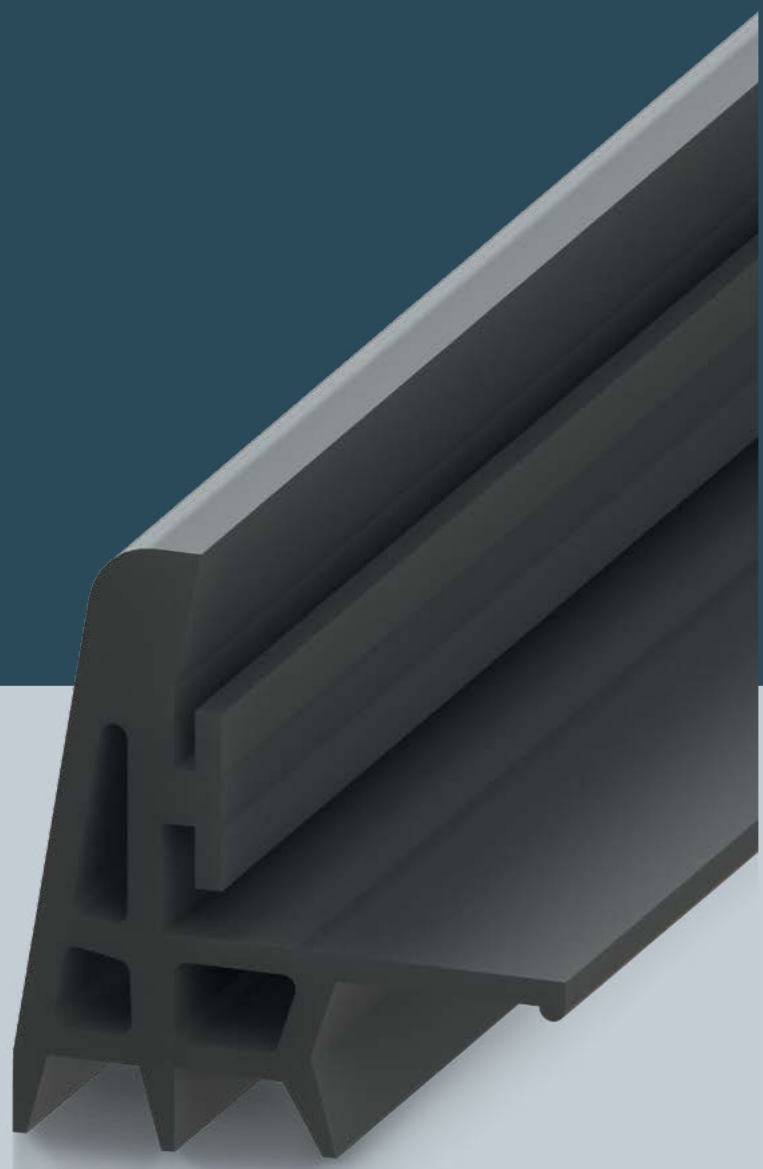


COLDROOM BT

55

37.5

20

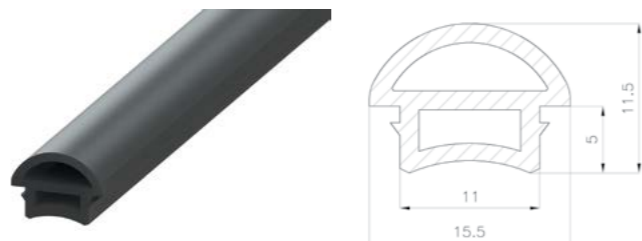


GASKETS

GUARNIZIONI
EMPAQUES
JOINTS
DICHTUNGEN

11PLT003

PERIMETRAL GASKET FOR SERVICE DOOR (V2.0)
GUARNIZIONE PERIMETRALE PER PORTA TIPO UFFICIO (V2.0)
EMPAQUE PERIMETRAL PARA PUERTA DE SERVICIO (V2.0)
JOINT PÉRIPHÉRIQUE POUR PORTE DE SERVICE (V2.0)
DICHTUNG FÜR BETRIEBSRAUMTÜR (V2.0)



SERVICE DOOR

CODE CODICE	L (mm)
13TUC606	330
13TUC607	430
13TUC610*	530
13TUC604	830
13TUC601	930

CODE CODICE	L (mm)
13TUC602	1030
13TUC603	1230
13TUC608	1330
13TUC605	1430
13TUC609	1530

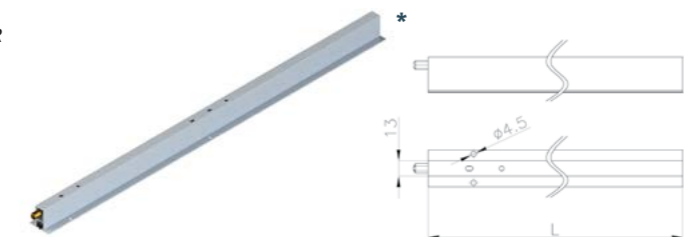
**11PLT001
11011**

PERIMETRAL GASKET FOR SERVICE DOOR (V1.0)
GUARNIZIONE PERIMETRALE PER PORTA TIPO UFFICIO (V1.0)
EMPAQUE PERIMETRAL PARA PUERTA DE SERVICIO (V1.0)
JOINT PÉRIPHÉRIQUE POUR PORTE DE SERVICE (V1.0)
DICHTUNG FÜR BETRIEBSRAUMTÜR (V1.0)



SERVICE DOOR

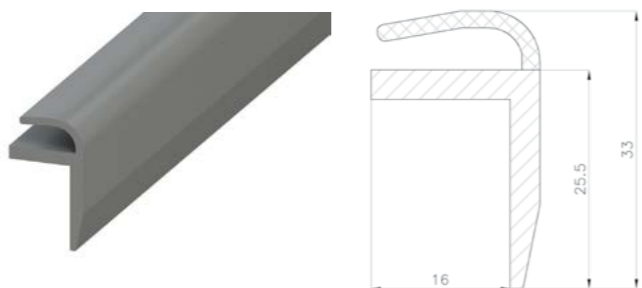
AUTOMATIC LOWER GASKET FOR SERVICE DOOR
GUARNIZIONE INFERIORE AUTOMATICA PER PORTA TIPO UFFICIO
EMPAQUE INFERIOR AUTOMATICA PARA PUERTA DE SERVICIO
JOINT INFÉRIEUR AUTOMATIQUE POUR PORTE DE SERVICE
UNTERE DICHTUNG AUTOMATISCH FÜR BETRIEBSTÜR



CODE CODICE	L (mm)
11PLV001* 11027	2415
11PLV002 11027	3515

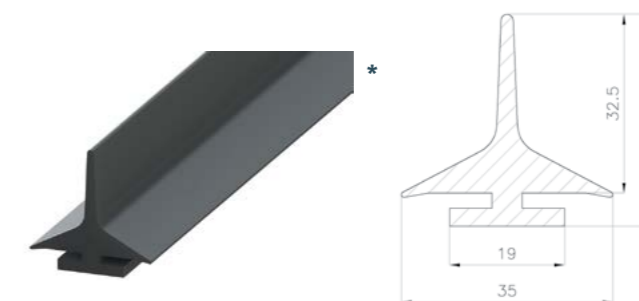
**12VAR250
12033**

PERIMETRAL GASKET FOR STAINLESS STEEL SERVICE DOOR
GUARNIZIONE PERIMETRALE PER PORTA TIPO UFFICIO MODELLO INOX
EMPAQUE PERIMETRAL PUERTA DE SERVICIO MODELO INOX
JOINT PÉRIPHÉRIQUE PORTE DE SERVICE MODÈLE INOX
DICHTUNG FÜR BETRIEBSRAUMTÜR IN EDELSTAHL



SERVICE DOOR

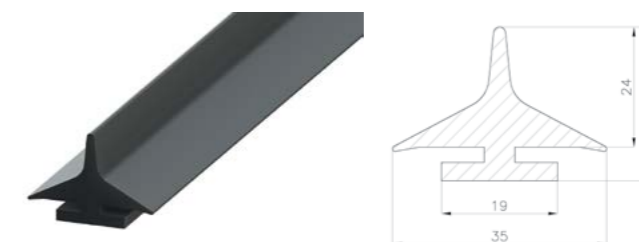
SIDE GASKET H=34 FOR TO & FRO DOOR
GUARNIZIONE LATERALE H=34 PER PORTA VA E VIENI
EMPAQUE LATERALE ALT=34 PARA PUERTA VAIVÉN
JOINT LATÉRAL H=34 POUR PORTE VA ET VIENT
SEITLICHE DICHTUNG H=34 FÜR PENDELTÜR



TO & FRO

**11PLV010
11029**

SIDE GASKET H=24 FOR STAINLESS STEEL TO & FRO DOOR
GUARNIZIONE LATERALE H=24 PER PORTA VA E VIENI MODELLO INOX
EMPAQUE LATERALE ALT=24 PARA PUERTA VAIVÉN MODELO INOX
JOINT LATÉRAL H=24 POUR PORTE VA ET VIENT MODELE INOX
SEITLICHE DICHTUNG H=24 FÜR EDELSTAHL PENDELTÜR



TO & FRO

11PLT002

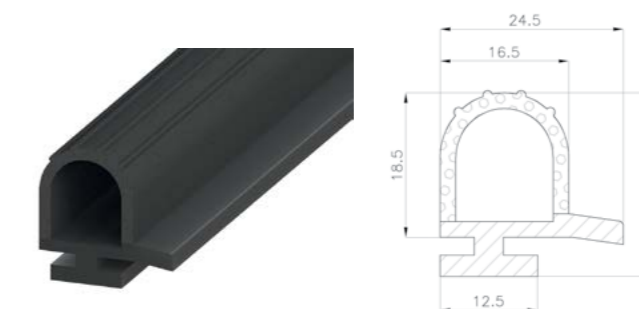
DOUBLE-BLADED SERVICE DOOR GASKET THK=40
GUARNIZIONE PER DOPPIO BATTENTE SP=40 PER PORTA TIPO UFFICIO
EMPAQUE PARA DOPPIO BATTENTE ESP=40 PUERTA DE SERVICIO
JOINT POUR DOUBLE VANTAIL ÉPAIS=40 PORTE DE SERVICE
DICHTUNG FÜR DOPPELFLÜGELIGE BETRIEBSRAUMTÜR S=40



SERVICE DOOR 2W

**11PLP001
11014**

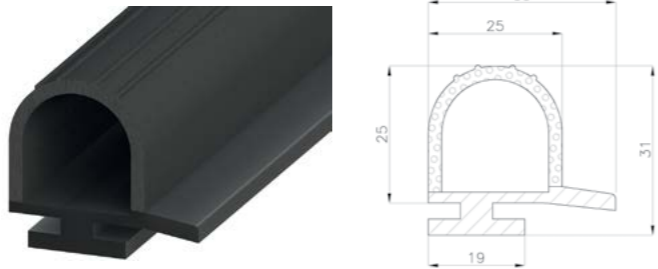
PERIMETRAL GASKET H=18,5 FOR DOOR THK=68
GUARNIZIONE PERIMETRALE H=18,5 PER PORTA SP=68
EMPAQUE PERIMETRAL ALT=18,5 PARA PUERTA ESP=68
JOINT PÉRIPHÉRIQUE H=18,5 POUR PORTE ÉPAIS=68
DICHTUNG H=18,5 FÜR TÜR S=68



500 TN
540 TN
GV 5
240 AM
240 S
360 LS
360 FLS
480 PGV
480 ST
480 PT

11PLG001
11015

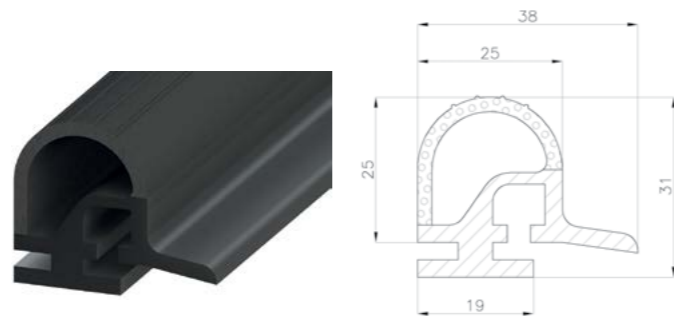
PERIMETRAL GASKET H=25 FOR DOOR THK=92-151
GUARNIZIONE PERIMETRALE H=25 PER PORTA SP=92-151
EMPAQUE PERIMETRAL ALT=25 PARA PUERTA ESP=92-151
JOINT PÉRIPHÉRIQUE H=25 POUR PORTE ÉPAIS=92-151
DICHTUNG H=25 FÜR TÜR S=92-151



740 LWT
745 LWT
750 LWT
450 GV
480 TN
480 LWT
485 LWT
490 LWT
VERTICAL TN
VERTICAL LWT

11PLR001
11016

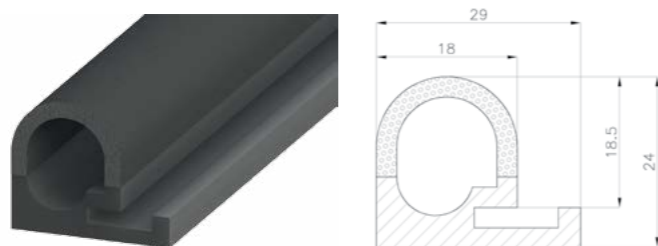
PERIMETRAL GASKET H=25 WITH HEATING CABLE PASSAGE
GUARNIZIONE PERIMETRALE H=25 CON PASSAGGIO RESISTENZA
EMPAQUE PERIMETRAL ALT=25 CON PASAJE RESISTENCIA
JOINT PÉRIPHÉRIQUE H=25 AVEC PASSAGE POUR CORDON CHAUFFANT
DICHTUNG H=25 MIT HEIZUNGSFÜHRUNG



603 LWT
604 LWT
745 LWT
750 LWT
480 LT
480 ATMC
480 LTB
485 LWT
490 LWT

11PLE001
11019

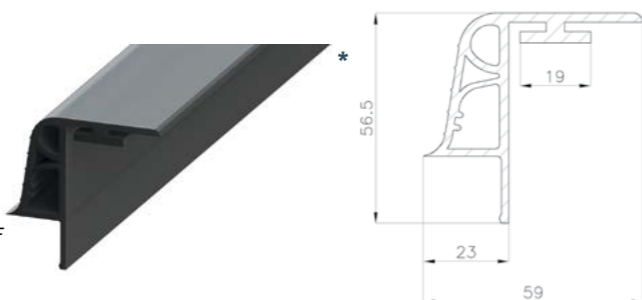
PERIMETRAL GASKET H=25 WITH MECHANICAL FIXING
GUARNIZIONE PERIMETRALE H=25 A FISSAGGIO MECCANICO
EMPAQUE PERIMETRAL ALT=25 A FIJACIÓN MECÁNICA
JOINT PÉRIPHÉRIQUE H=25 AVEC FIXAGE MÉCANIQUE
DICHTUNG H=25 MIT MECHANISCHER BEFESTIGUNG



-

CODE CODICE	L (mm)
11AAL016	2030
11AAL012*	2600
11AAL014	3500

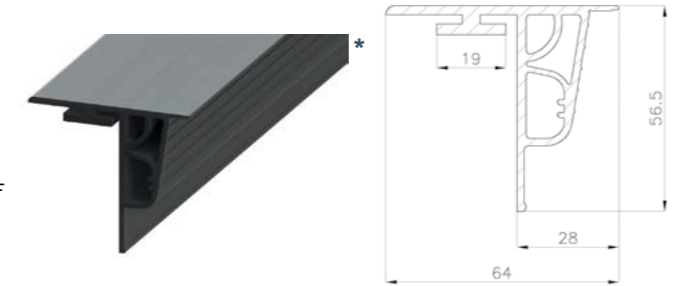
GASKET FOR DOUBLE BLADE THK=92-121 MOBILE LEAF
GUARNIZIONE PER DOPPIO BATTENTE SP=92-121 ANTA MOBILE
EMPAQUE PARA DOPPIO BATTENTE ESP=92-121 ANTA MOBILE
JOINT POUR DOUBLE VANTAIL ÉPAIS=92-121 VANTAIL MOBILE
DICHTUNG FÜR DOPPELFLÜGELTÜREN S=92-121 BEWEGLICHE FLÜGEL



500 TN 2W ST. STEEL
603 LWT 2W
604 LWT 2W
740 LWT 2W
480 TN 2W
480 LT 2W
480 LTB 2W
480 LWT 2W

CODE CODICE	L (mm)
11AAL015	2030
11AAL011*	2600
11AAL013	3500

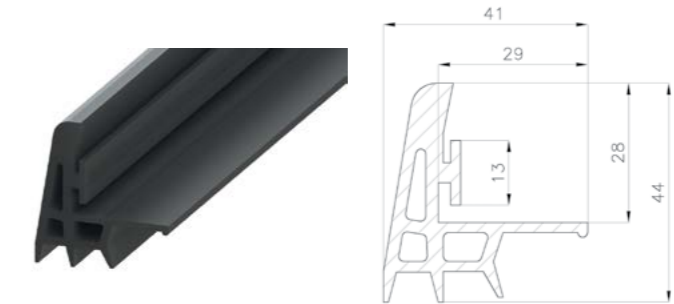
GASKET FOR DOUBLE BLADE THK=92-121 FIXED LEAF
GUARNIZIONE PER DOPPIO BATTENTE SP=92-121 ANTA FISSA
EMPAQUE PARA DOPPIO BATTENTE ESP=92-121 ANTA FISSA
JOINT POUR DOUBLE VANTAIL ÉPAIS=92-121 VANTAIL FIXE
DICHTUNG FÜR DOPPELFLÜGELTÜREN S=92-121 FESTE FLÜGEL



500 TN 2W ST. STEEL
603 LWT 2W
604 LWT 2W
740 LWT 2W
480 TN 2W
480 LT 2W
480 LTB 2W
480 LWT 2W

11INF030
11021

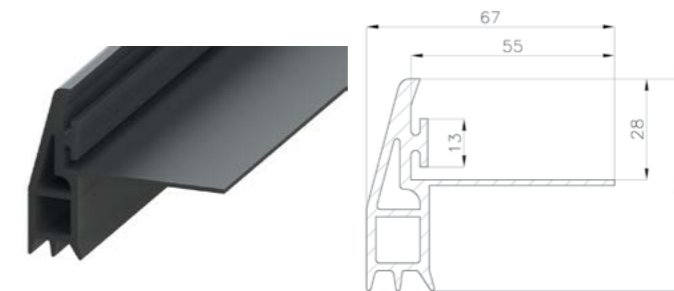
LOWER GASKET FOR DOORS THK=68
GUARNIZIONE INFERIORE PER PORTA SP=68
EMPAQUE INFERIOR PARA PUERTA ESP=68
JOINT INFÉRIEUR POUR PORTE ÉPAIS=68
UNTERE DICHTUNG FÜR TÜR S=68



500 TN
540 TN
GV 5
240 AM
360 FLS
480 PGV
480 PT

11INF060
11030

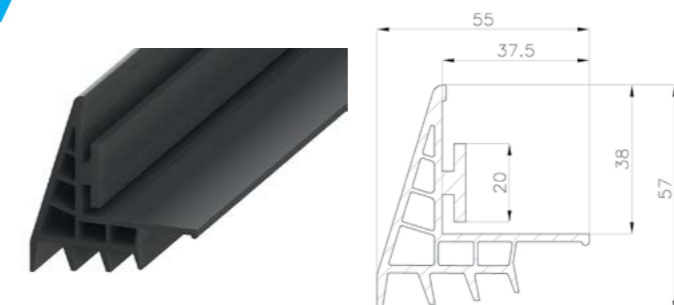
LOWER GASKET FOR DOORS THK=68 WITH LOWER FLOOR GUIDE
GUARNIZIONE INFERIORE PER PORTA SP=68 CON GUIDA A PAVIMENTO
EMPAQUE INFERIOR PARA PUERTA ESP=68 CON GUÍA A PAVIMENTO
JOINT INFÉRIEUR POUR PORTE ÉPAIS=68 AVEC GUIDE AU SOL
UNTERE DICHTUNG FÜR TÜR S=68 MIT BODENFÜHRUNG



240 S
360 LS
480 ST

11INF020
11022

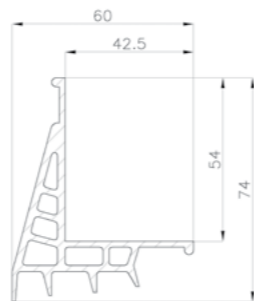
LOWER GASKET FOR DOORS THK=92-151 L=4500
GUARNIZIONE INFERIORE PER PORTE SP=92-151 L=4500
EMPAQUE INFERIOR PARA PUERTAS ESP=92-151 L=4500
JOINT INFÉRIEUR POUR PORTE ÉPAIS=92-151 L=4500
UNTERE DICHTUNG FÜR TÜREN S=92-151 L=4500



603 LWT
604 LWT
740 LWT
745 LWT
750 LWT
450 GV
480 TN
480 LT
480 LTB
480 LWT
485 LWT
490 LWT
VERTICAL TN
VERTICAL LWT

11INF070
11025

LOWER GASKET FOR MECHANICAL FIXING
GUARNIZIONE INFERIORE A FISSAGGIO MECCANICO
EMPAQUE INFERIOR A FIJACIÓN MECÁNICA
JOINT INFÉRIEUR AVEC FIXAGE MÉCANIQUE
UNTERE DICHTUNG MIT MECHANISCHER BEFESTIGUNG



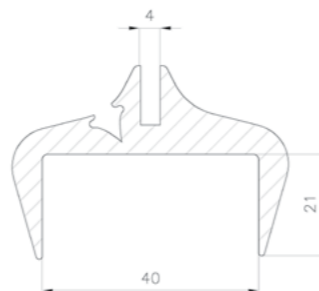
11OBM015
11031

PORTHOLE GASKET THK=4 DOOR THK=15
GUARNIZIONE PER OBLÒ SP=4 SU PORTA SP=15
EMPAQUE PARA HOJA ESP=4 PUERTA ESP=15
JOINT POUR OBLÒ ÉPAIS=4 SUR PORTE ÉPAIS=15
DICHTUNG FÜR FENSTER S=4 AUF TÜR S=15



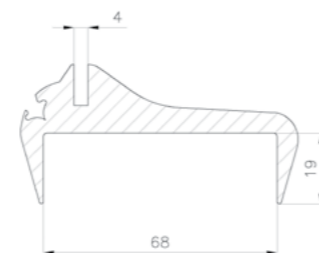
11OBM040
11032

PORTHOLE GASKET THK=4 DOOR THK=40
GUARNIZIONE PER OBLÒ SP=4 SU PORTA SP=40
EMPAQUE PARA HOJA ESP=4 PUERTA ESP=40
JOINT POUR OBLÒ ÉPAIS=4 SUR PORTE ÉPAIS=40
DICHTUNG FÜR FENSTER S=4 AUF TÜR S=40



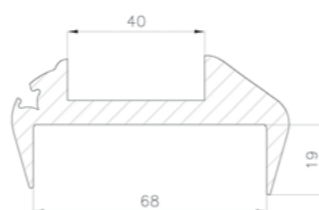
11OBM200
11039

PORTHOLE GASKET THK=4 DOOR THK=68
GUARNIZIONE PER OBLÒ SP=4 SU PORTA SP=68
EMPAQUE PARA HOJA ESP=4 PUERTA ESP=68
JOINT POUR OBLÒ ÉPAIS=4 SUR PORTE ÉPAIS=68
DICHTUNG FÜR FENSTER S=4 AUF TÜR S=68



11OBM068
11033

PORTHOLE GASKET THK=40 DOOR THK=68
GUARNIZIONE PER OBLÒ SP=40 SU PORTA SP=68
EMPAQUE PARA HOJA ESP=40 PUERTA ESP=68
JOINT POUR OBLÒ ÉPAIS=40 SUR PORTE ÉPAIS=68
DICHTUNG FÜR FENSTER S=40 AUF TÜR S=68

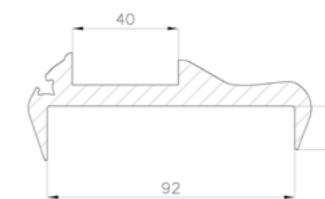


500 TN
540 TN
GV 5
240 AM
240 S
360 LS
360FLS
480 PGV
480 ST
480 PT

500 TN
540 TN
GV 5
240 AM
240 S
360 LS
360FLS
480 PGV
480 ST
480 PT

11OBM092
11035

PORTHOLE GASKET THK=40 DOOR THK=92
GUARNIZIONE PER OBLÒ SP=40 SU PORTA SP=92
EMPAQUE PARA HOJA ESP=40 PUERTA ESP=92
JOINT POUR OBLÒ ÉPAIS=40 SUR PORTE ÉPAIS=92
DICHTUNG FÜR FENSTER S=40 AUF TÜR S=92



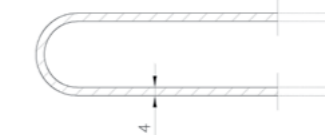
11OBM300

PORTHOLE GASKET TIGHTENER DOORS THK=15-40
TENDITORE GUARNIZIONE PER OBLÒ SU PORTE
SP=15-40
TENSOR EMPAQUE PARA HOJA PUERTAS ESP=15-40
ATTELAGE JOINT POUR OBLÒ SUR PORTE
ÉPAIS=15-40
SPANNVORRICHTUNGSDICHTUNG FÜR FENSTER
AUF TÜREN SP=15-40



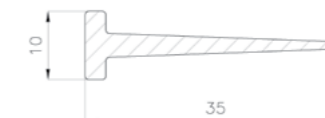
11AAL010
21015

SLIDE-WAY PASSAGE GASKET L.1000 X H.1200
THK=4
GUARNIZIONE PER VANO GUIDOVIA L.1000XH.1200
SP=4
EMPAQUE PARA PASAJE SISTEMA DE VÍAS
L.1000XH.1200 ESP=4
JOINT POUR ESPACE CONVOYEUR L.1000 X H.1200
ÉPAIS=4
DICHTUNG FÜR ROHRBAHNFÜHRUNG
ÖFFNUNG L.1000XH.1200 S=4



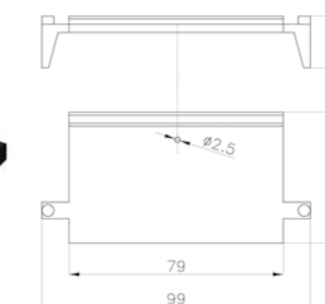
24GHI865

GASKET FOR VERTICAL SLIDING GUIDE
GUARNIZIONE PER GUIDA SCORREVOLE VERTICALE
EMPAQUE PARA GUÍA CORREDERA VERTICAL
JOINT POUR GUIDE COULISSANT VERTICAL
DICHTUNG FÜR SENKRECHT GEFÜHRTE
SCHIEBETÜR



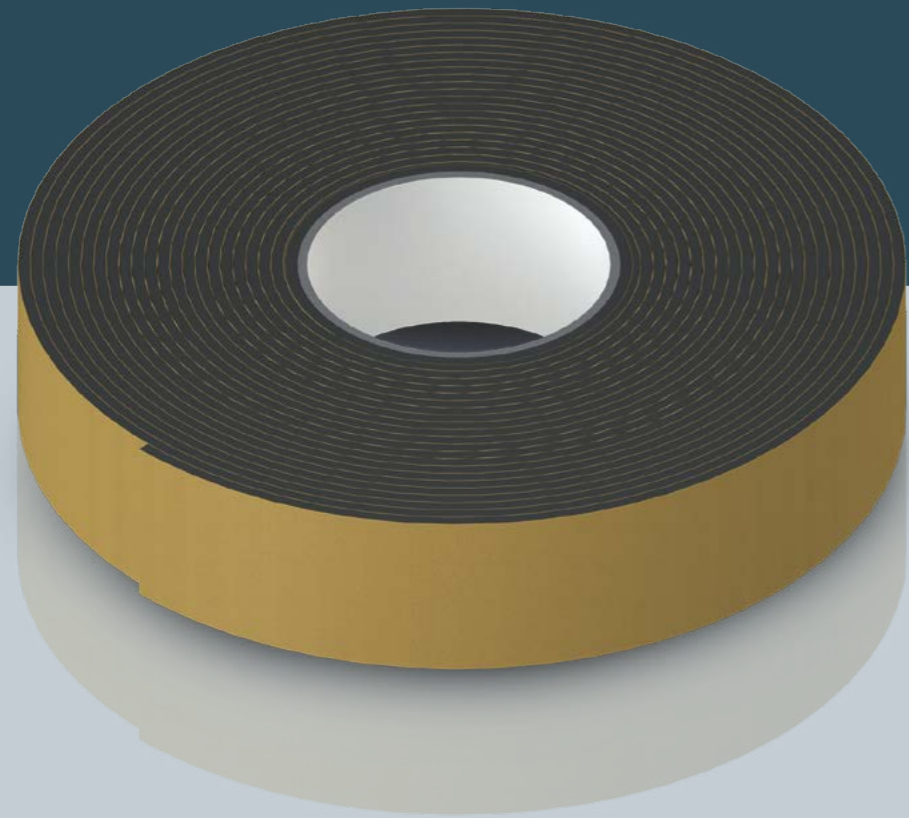
15VAR100

FOAMING HOLE VALVE FOR DOORS=68-151
VALVOLA PER FORO SCHIUMATURA PORTE=68-151
VALVOLA AGUJERO INYECCION ESPUMA PUERTAS
ESP=68-151
SOUPAPE POUR TROU INJECTION MOUSSE
DE POLYURÉTHANE PORTE=68-151
VENTIL FÜR LOCH ABSCHLACKEN TÜREN=68-151



500 TN
GV 5
603 LWT
604 LWT
740 LWT
745 LWT
750 LWT
240 AM
240 S
360 LS
360 FLS
450 GV
480 PGV

480 ST
480 PT
480 TN
480 LT
480 LTB
480 LWT
485 LWT
490 LWT
VERTICAL TN
VERTICAL LWT

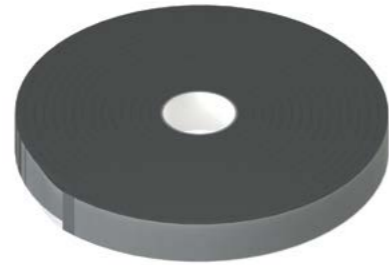


AIR FOAM GASKETS

**NASTRI E MOUSSE
CINTAS ADHESIVAS
RUBANS ET MOUSSES
MOOSGUMMI UND KLEBEBAND**

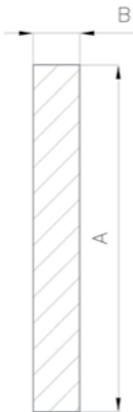
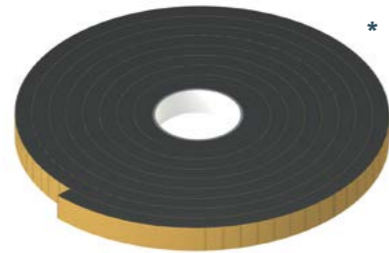
11AMP040
11037

SPONGE TAPE BLACK 50X10
NASTRO MOUSSE NERO 50X10
CINTA AISLANTE NEGRA 50X10
RUBAN MOUSSE NOIR 50X10
MOOSGUMMI SCHWARZ 50X10



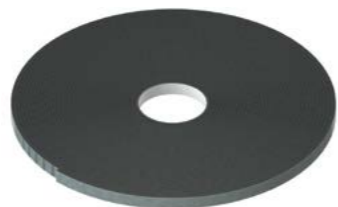
CODE CODICE	A (mm)	B (mm)
30MON001 11042	15	4
30MON006 11044	15	8
11AMP050*	25	20
30MON005 11043	45	3

SPONGE TAPE BLACK ONE-SIDED ADHESIVE LONG
SIDE
NASTRO MOUSSE NERO MONOADESIVO SU LATO
LUNGO
CINTA ADHESIVA AISLANTE NEGRA LADO LARGO
RUBAN MOUSSE NOIR MONO-ADHÉSIF SUR CÔTÉ LONG
SCHAUMBAND SCHWARZES EINSEITIGES KLEBENDES
AUF LANGE SEITE



30BIA002
11041

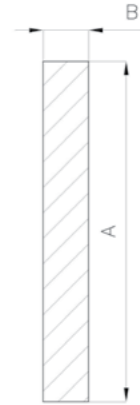
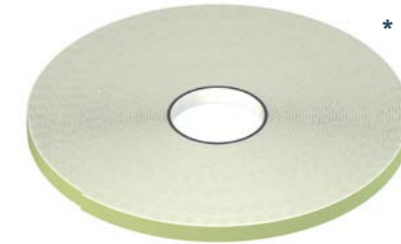
SPONGE TAPE BI-ADHESIVE LONG SIDE 15X4
NASTRO MOUSSE BIADESIVO SU LATO LUNGO 15X4
CINTA AISLANTE DE DOBLE CARA LADO LARGO 15X4
RUBAN MOUSSE DOUBLE-FACE SUR CÔTÉ LONG 15X4
DOPPELSEITIG AUF DER LANGEN SEITE KLEBENDES
MOOSGUMMI 15X4



500 TN
GV 5
603 LWT
604 LWT
240 AM
240 S
360 LS
360 FLS
450 GV
480 PGV
480 ATMC
480 ST
480 PT
480 TN
480 LT
480 LTB
VERTICAL TN

CODE CODICE	A (mm)	B (mm)
30BIA003* 11054	15	2
30BIA004 11055	25	1

SPONGE TAPE BI-ADHESIVE LONG SIDE
NASTRO MOUSSE BIADESIVO SU LATO LUNGO
CINTA ADHESIVA AISLANTE NEGRA LADO LARGO
RUBAN MOUSSE DOUBLE-FACE SUR CÔTÉ LONG
SCHAUMBAND SCHWARZES DOPPELSEITIGES
KLEBENDES AUF LANGE SEITE



30ALU001
11052

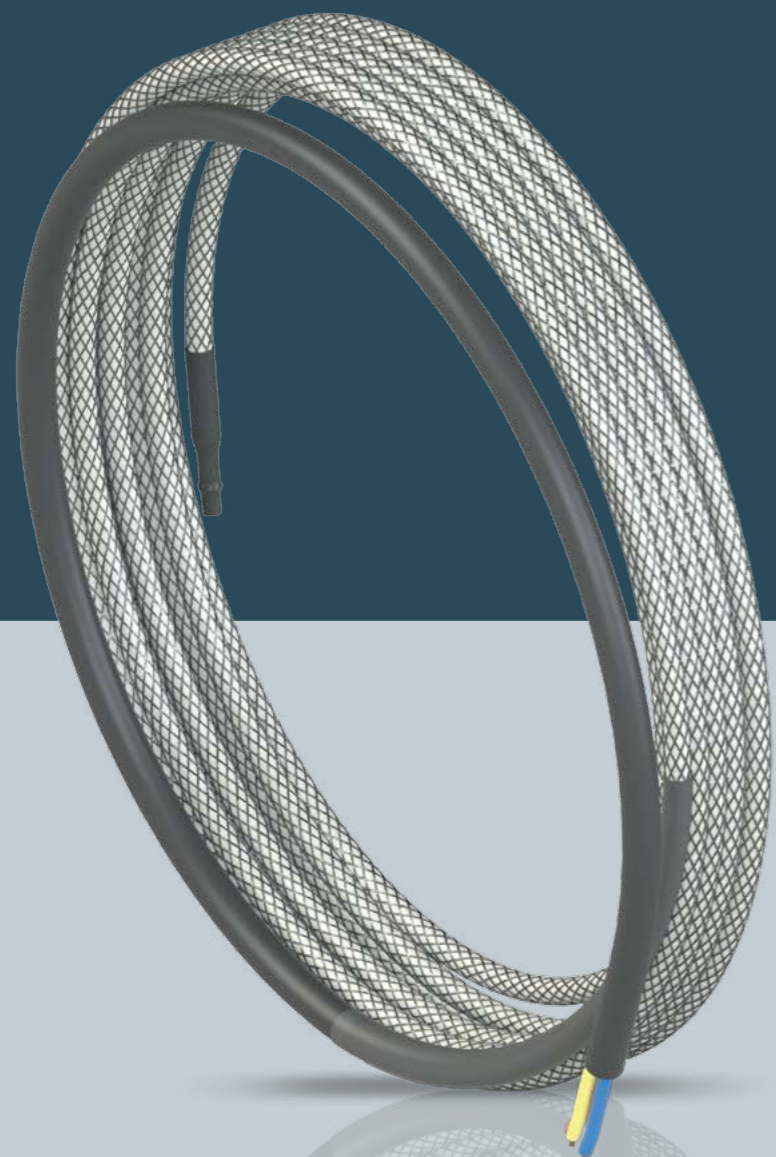
ALUMINIUM TAPE ONE-SIDED ADHESIVE H=35
NASTRO ALLUMINIO MONOADESIVO H=35
CINTA ALUMINIO ADHESIVA ALT=35
RUBAN ALUMINIUM MONO-ADHÉSIF H=35
EINSEITIGES KLEBENDES ALUMINIUMBAND H=35



30BIA001
11051

ACLOTH TAPE BI-ADHESIVE H=50 L=25M
NASTRO TELATO BIADESIVO H=50 L=25M
CINTA TAFETAN DE DOBLE CARA ALT=50 L=25M
RUBAN TOILE DOUBLE-FACE H=50 L=25M
DOPPELKLEBENDES GEWEBEBAND H=50 L=25M





HEATING CABLES

RESISTENZE
RESISTENCIAS
CORDONS CHAUFFANTS
HEIZLEITUNGEN

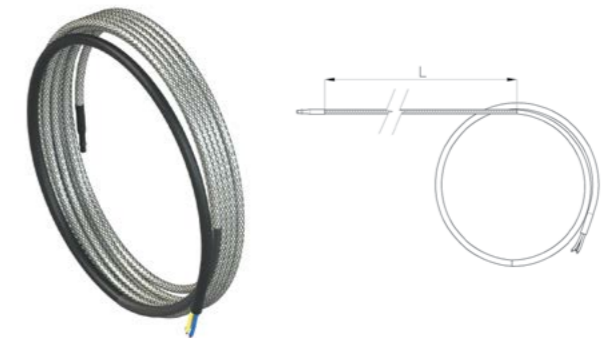
CODE CODICE	L (mm)
18PC0100	1000
18PC0125	1250
18PC0150	1500
18PC0175	1750
18PC0200	2000
18PC0225	2250
18PC0250	2500
18PC0275	2750
18PC0300	3000
18PC0325	3250
18PC0350	3500
18PC0375	3750
18PC0400	4000
18PC0425	4250
18PC0450	4500
18PC0475	4750
18PC0500	5000
18PC0525	5250
18PC0550	5500
18PC0575	5750
18PC0600	6000
18PC0625	6250
18PC0650	6500
18PC0675	6750
18PC0700	7000
18PC0725	7250
18PC0750	7500
18PC0775	7750

CODE CODICE	L (mm)
18PC0800	8000
18PC0825	8250
18PC0850	8500
18PC0875	8750
18PC0900	9000
18PC0925	9250
18PC0950	9500
18PC0975	9750
18PC1000	10000
18PC1025	10250
18PC1050	10500
18PC1075	10750
18PC1100	11000
18PC1125	11250
18PC1150	11500
18PC1175	11750
18PC1200	12000
18PC1225	12250
18PC1250	12500
18PC1275	12750
18PC1300	13000
18PC1325	13250
18PC1350	13500
18PC1375	13750
18PC1400	14000
18PC1425	14250
18PC1450	14500
18PC1475	14750

CODE CODICE	L (mm)
18PC1500	15000
18PC1525	15250
18PC1550	15500
18PC1575	15750
18PC1600	16000
18PC1625	16250
18PC1650	16500
18PC1675	16750
18PC1700	17000
18PC1725	17250

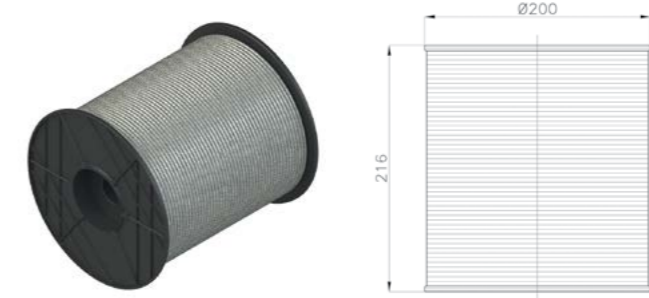
CODE CODICE	L (mm)
18PC1750	17500
18PC1775	17750
18PC1800	18000
18PC1825	18250
18PC1850	18500
18PC1875	18750
18PC1900	19000
18PC1925	19250
18PC1950	19500
18PC1975	19750

HEATING CABLE AT CONSTANT POWER 30W/230V Ø 4
SILICON-COATED WITH METAL BRAIDED SLEEVE
RESISTENZA A POTENZA COSTANTE 30W/230V Ø 4
RIVESTIMENTO SILICONE E CALZA METALLICA
RESISTENCIA POTENCIA CONSTANTE 30W/230V Ø 4
AISLAMIENTO SILICONA Y CUBIERTA METALICA
CORDON CHAUFFANT A PUISSANCE CONSTANTE 30W/230V
Ø 4 REVÊTEMENT SILICONE ET CORDON METALLIQUE
HEIZLEITUNG MIT KONSTANTER LEISTUNG 30W/230V
Ø 4 VERKLEIDUNG AUS SILIKON UND METALLISCHEM
SCHUTZGEFLECHT



18PC0003

HEATING CABLE COIL AT CONSTANT POWER
30W/230V Ø 4 SILICON-COATED
WITH METAL BRAIDED SLEEVE L=250M
BOBINA RESISTENZA A POTENZA COSTANTE
30W/230V Ø 4 RIVESTIMENTO SILICONE
E CALZA METALLICA L=250M
BOBINA RESISTENCIA POTENCIA CONSTANTE
30W/230V Ø 4 AISLAMIENTO SILICONA
Y CUBIERTA METALICA L=250M
BOBINE CORDON CHAUFFANT A PUISSANCE
CONSTANTE 30W/230V Ø 4 REVÊTEMENT
SILICONE ET CORDON METALLIQUE L=250M
SPULE HEIZLEITUNG MIT KONSTANTER LEISTUNG
30W/230V Ø 4 UMMANTELLUNG AUS SILIKON UND
METALLISCHEM SCHUTZGEFLECHT L=250M



603 LWT
604 LWT
740 LWT
745 LWT
750 LWT
480 LT
480 LTB
480 LWT
485 LWT
490 LWT
VERTICAL LWT

603 LWT
604 LWT
740 LWT
745 LWT
750 LWT
480 LT
480 LTB
480 LWT
485 LWT
490 LWT
VERTICAL LWT



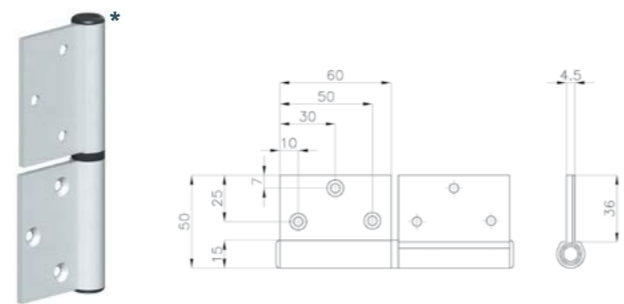
HINGES

CERNIERE
BISAGRAS
CHARNIÈRES
SCHARNIERE



CODE CODICE	OPENING APERTURA / APERTURA OUVERTURE / ÖFFNUNG
14ALU201*	Right / Destra / Derecho Droit / Rechts
14ALU202	Left / Sinistra / Izquierda Gauche / Links

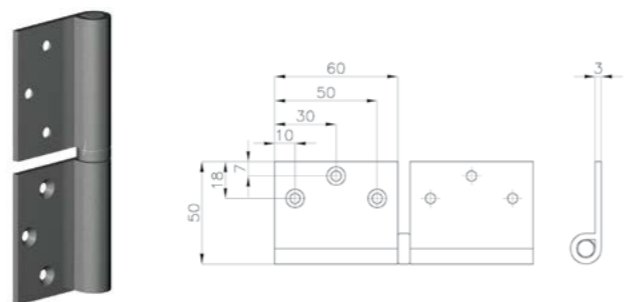
ALUMINIUM HINGE DOOR THK.=40
CERNIERA ALLUMINIO PORTA SP=40
BISAGRA ALUMINIO PUERTA ESP=40
CHARNIÈRE ALUMINIUM PORTE EP=40
ALUMINIUM SCHARNIER FÜR TÜR STÄRKE=40



SERVICE DOOR

14INO001 14012

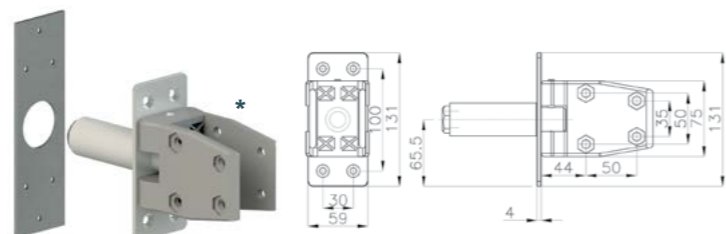
REVERSIBLE STAINLESS STEEL HINGE DOOR THK=40
CERNIERA REVERSIBILE INOX PORTA SP=40
BISAGRA REVERSIBLE INOX PUERTA ESP=40
CHARNIÈRE REVERSIBLE INOX PORTE EP=40
EDELSTAHL SCHARNIER
FÜR TÜR STÄRKE=40 UMKEHRBAR



SERVICE DOOR

CODE CODICE	BLOCK AT 90° BLOCCO 90° / BLOQUEAR 90° BLOCKAGE 90° / FESTSTELLER 90°
14VVF001* 14013	●
14VVF002	●

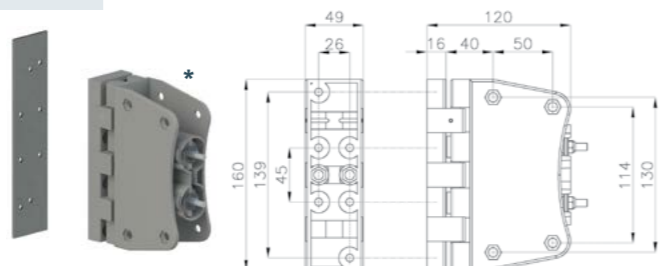
TO & FRO HINGE WITH IN-FRAME SPRING
GREY RAL7004
CERNIERA VA E VIENI MOLLA INTERNO
TELAIO GRIGIO RAL7004
BISAGRA VAIVÉN RESORTE INTERIOR MARCO
GRIS RAL7004
CHARNIÈRE VA ET VIENT RESSORT
INTERIEUR BATI GRIS RAL7004
SCHARNIER FÜR PENDELTÜR FEDER INNERHALB
DES RAHMENS RAL7004



TO & FRO

CODE CODICE	CONNECTION ROD BIELLA / BIELLA BIELLE / KOLBENSTANGE
14VVF003* 14014	Plastic / Plastica / Plástico Plastic / Plastische
14VVF005	Stainless Steel / Inox / Inox Inox / Edelstahl

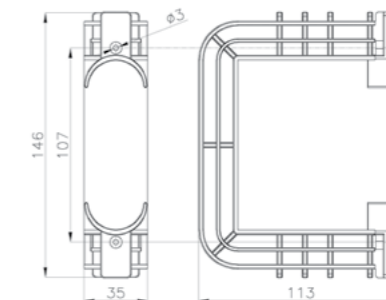
TO & FRO HINGE WITH IN-BLADE SPRINGS
GREY RAL7004 WITH BLOCK AT 90°
CERNIERA VA E VIENI MOLLE INTERNO BATTENTE
GRIGIO RAL7004 CON BLOCCO 90°
BISAGRA VAIVÉN RESORTE INTERIOR MARCO
GRIS RAL7004 CON BLOQUEAR 90°
CHARNIÈRE VA ET VIENT INTERIEUR VANTAIL
GRIS RAL7004 AVEC BLOCKAGE 90°
SCHARNIER FÜR PENDELTÜR FEDERN INNERHALB
DES FLÜGELS RAL7004 MIT FESTSTELLER 90°



TO & FRO

14VVC064

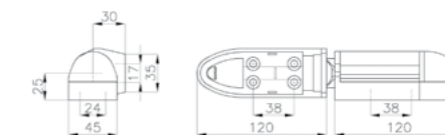
ABS CONTAINER FOR TO & FRO BLADE SPRING
CONTAINMENT
VASCHETTA IN ABS PER CONTENIMENTO MOLLE
BATTENTE VA E VIENI
COMPARTIMENTO IN ABS PARA CONTENIMIENTO
RESORTE HOJA VAIVÉN
COMPARTIMENT EN ABS POUR LOGEMENT RESSORT
VANTAIL VA ET VIENT
VERSENKTER GRIFF AUS ABS FÜR DEN SITZ
DER FEDERN FÜR PENDELTÜR



TO & FRO

CODE CODICE	CAM RAMPA / RAMPA RAMPE / RAMPE
14PLG400*	●
14PLG500	●

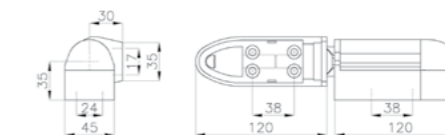
REVERSIBLE HINGE H=25 GREY RAL7004 BLACK LIDS
CERNIERA REVERSIBILE H=25 GRIGIO RAL7004
COPERCHI NERI
BISAGRA REVERSIBLE ALT.=25 GRIS RAL7004
TAPONES NEGROS
CHARNIÈRE REVERSIBLE H=25 GRIS RAL7004
COUVERCLES NOIRS
UMKEHRBARES SCHARNIER H=25 GRAU RAL7004
SCHWARZEN DECKEL



540 TN (+06CER001)

14PLG100 14032

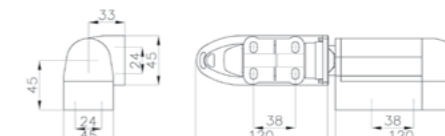
REVERSIBLE HINGE WITH ADJUSTABLE CAM H=35
GREY RAL7004 BLACK LIDS
CERNIERA REGOLABILE CON RAMPA REVERSIBILE H=35
GRIGIO RAL7004 COPERCHI NERI
BISAGRA REGULABLE CON RAMPA REVERSIBLE ALT.=35
GRIS RAL7004 TAPONES NEGROS
CHARNIÈRE RÉGLABLE AVEC RAMPE REVERSIBLE H=35
GRIS RAL7004 COUVERCLES NOIRS
REGULIERBARES SCHARNIER MIT UMKEHRBARER
STEIGUNG H=35 GRAU RAL7004 SCHWARZEN DECKEL



500 TN
GV 5

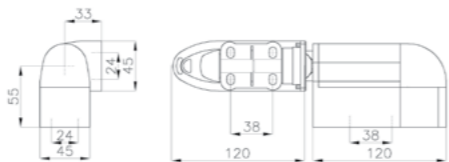
CODE CODICE	CAM RAMPA / RAMPA RAMPE / RAMPE
14PLG200* 14033	●
14PLG503	●

REVERSIBLE HINGE H=45 GREY RAL7004 BLACK LIDS
CERNIERA REVERSIBILE H=45 GRIGIO RAL7004
COPERCHI NERI
BISAGRA REVERSIBLE ALT.=45 GRIS RAL7004
TAPONES NEGROS
CHARNIÈRE REVERSIBLE H=45 GRIS RAL7004
COUVERCLES NOIRS
UMKEHRBARES SCHARNIER H=45 GRAU RAL7004
SCHWARZEN DECKEL



CODE CODICE	CAM RAMPA / RAMPA RAMPE / RAMPE
14PLG201* 14034	●
14PLG505	●

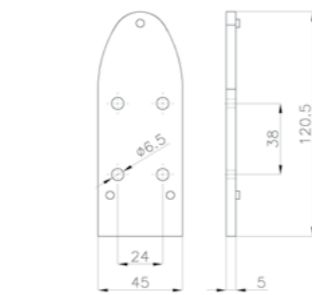
REVERSIBLE HINGE H=55 GREY RAL7004 BLACK LIDS
CERNIERA REVERSIBILE H=55 GRIGIO RAL7004
COPERCHI NERI
BISAGRA REVERSIBLE ALT.=55 GRIS RAL7004
TAPONES NEGROS
CHARNIÈRE REVERSIBLE H=55 GRIS RAL7004
COUVERCLES NOIRS
UMKEHRBARES SCHARNIER H=55 GRAU RAL7004
SCHWARZEN DECKEL



603 LWT
604 LWT (+06CER001)
740 LWT (+06CER001)
745 LWT (+06CER001)

06CER001

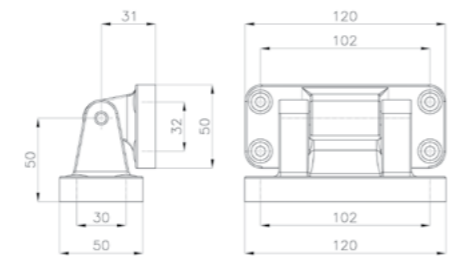
SPACER FOR ADJUSTABLE HINGE H=5 GREY RAL7004
DISTANZIALE PER CERNIERA REGOLABILE H=5
GRIGIO RAL7004
DISTANCIADOR PARA BISAGRA REGLABLE H=5
GRIS RAL7004
ENTRETOISE POUR CHARNIÈRE REGLABLE H=5
GRIS RAL7004
MONTAGEPLATTE FÜR REGULIERBARES SCHARNIER H=5
GRAU RAL7004



540 TN
604 LWT
740 LWT
745 LWT

14PLP141

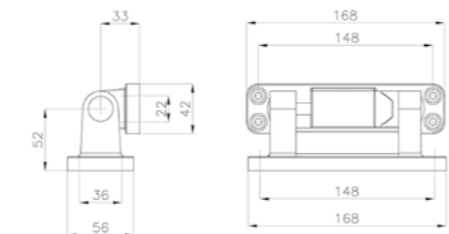
REVERSIBLE FLAT HINGE H=50 GREY RAL7004
WITH PLUG FOR DOOR THK.=68-92
CERNIERA PIANA REVERSIBILE H=50 GRIGIO RAL7004
CON TAPPI PER PORTE SP=68-92
BISAGRA PLANA REVERSIBILE H=50 GRIS RAL7004
CON TAPONES PARA PUERTA ESP=68-92
CHARNIÈRE PLATE REVERSIBILE H=50 GRIS RAL7004
AVEC BOUCHONS POUR PORTE EP=68-92
FLACHES UMKEHRBARES SCHARNIER H=50
GRAU RAL7004 MIT TÜR-PFROPFEN STÄRKEN=68-92



500 TN
GV5
603 LWT

14PLG723 14728

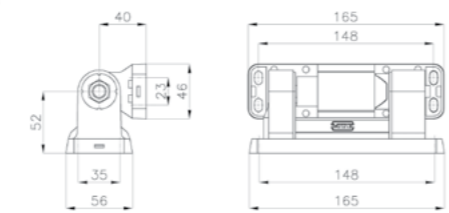
REVERSIBLE CAM HINGE H=52 GREY RAL7004
WITH PLUGS FOR DOOR THK.=68
CERNIERA CON RAMPA REVERSIBILE H=52
GRIGIO RAL7004 CON TAPPI PER PORTA SP=68
BISAGRA CON RAMPA REVERSIBILE H=52 GRIS RAL7004
CON TAPONES PARA PUERTA ESP=68
CHARNIÈRE AVEC RAMPE REVERSIBILE H=52
GRIS RAL7004 AVEC BOUCHONS POUR PORTE EP=68
SCHARNIER MIT UMKEHRBARER STEIGUNG H=52
GRAU RAL7004 MIT TÜR-PFROPFEN STÄRKE=68



BEFORE YEAR 2003:
500 TN

14PLG830

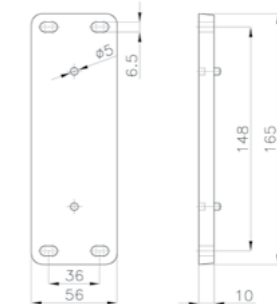
3D REVERSIBLE HINGE WITH ADJUSTABLE CAM
GREY RAL7004 BLACK LIDS
CERNIERA REGOLABILE 3D CON RAMPA REVERSIBILE
GRIGIO RAL7004 COPERCHI NERI
BISAGRA REGULABLE 3D CON RAMPA REVERSIBILE
GRIS RAL7004 TAPONES NEGROS
CHARNIÈRE RÉGLABLE 3D AVEC RAMPE REVERSIBILE
GRIS RAL7004 COUVERCLE NOIRS
3D REGULIERBARES SCHARNIER MIT UMKEHRBARER
STEIGUNG GRAU RAL7004 SCHWARZEN DECKEL



500 TN
603 LWT (+14PLG815)
604 LWT (+14PLG815)
740 LWT (+14PLG815)
745 LWT (+14PLG815)

14PLG815

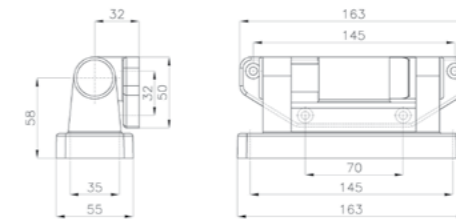
SPACER FOR 3D ADJUSTABLE HINGE H=10
GREY RAL7004
DISTANZIALE PER CERNIERA REGOLABILE 3D H=10
GRIGIO RAL7004
DISTANCIADOR PARA BISAGRA REGULABLE 3D H=10
GRIS RAL7004
ENTRETOISE POUR CHARNIÈRE RÉGLABLE 3D H=10
GRIS RAL7004
MONTAGEPLATTE FÜR 3D REGULIERBARES SCHARNIER H=10
GRAU RAL7004



603 LWT
604 LWT
740 LWT
745 LWT

CODE CODICE	OPENING APERTURA / APERTURA OUVERTURE / ÖFFNUNG
14PLG701 14722	Right / Destra / Derecho Droit / Rechts
14PLG702* 14723	Left / Sinistra / Izquierda Gauche / Links

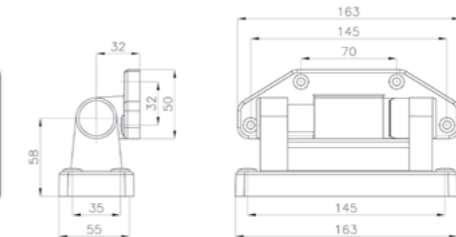
CAM HINGE H=58 GREY RAL7004 WITH PLUGS
FOR DOOR THK.=68
CERNIERA CON RAMPA H=58 GRIGIO RAL7004
CON TAPPI PER PORTA SP=68
BISAGRA CON RAMPA H=58 GRIS RAL7004
CON TAPONES PARA PUERTA ESP=68
CHARNIÈRE AVEC RAMPE H=58 GRIS RAL7004
AVEC BOUCHONS POUR PORTE EP=68
SCHARNIER MIT RAMPE H=58 GRAU RAL7004
MIT TÜR-PFROPFEN STÄRKE=68



500 TN
GV 5

CODE CODICE	OPENING APERTURA / APERTURA OUVERTURE / ÖFFNUNG
14PLG711 14724	Right / Destra / Derecho Droit / Rechts
14PLG712* 14725	Left / Sinistra / Izquierda Gauche / Links

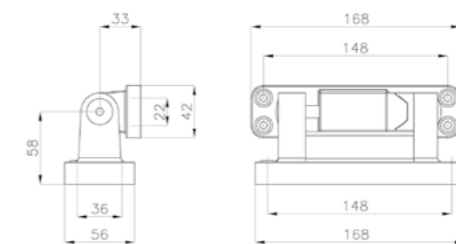
CAM HINGE H=58 GREY RAL7004 WITH PLUGS
FOR DOOR THK.=92
CERNIERA CON RAMPA H=58 GRIGIO RAL7004
CON TAPPI PER PORTA SP=92
BISAGRA CON RAMPA H=58 GRIS RAL7004
CON TAPONES PARA PUERTA ESP=92
CHARNIÈRE AVEC RAMPE H=58 GRIS RAL7004
AVEC BOUCHONS POUR PORTE EP=92
SCHARNIER MIT RAMPE H=58 GRAU RAL7004
MIT TÜR-PFROPFEN STÄRKE=92



603 LWT

CODE CODICE	CAM RAMPA / RAMPA RAMPE / RAMPE
14PLG721* 14726	●
14PLP001	●

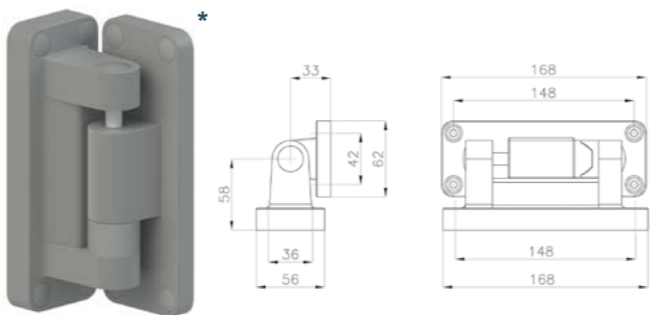
REVERSIBLE HINGE H=58 GREY RAL7004 WITH PLUGS
FOR DOOR THK.=68
CERNIERA REVERSIBILE H=58 GRIGIO RAL7004
CON TAPPI PER PORTA SP=68
BISAGRA REVERSIBILE H=58 GRIS RAL7004 CON TAPONES PARA PUERTA ESP=68
CHARNIÈRE REVERSIBILE H=58 GRIS RAL7004 AVEC BOUCHONS POUR PORTE EP=68
UMKEHRBARER SCHARNIER H=58 GRAU RAL7004 MIT TÜR-PFROPFEN STÄRKE=68



500 TN
GV5

CODE CODICE	CAM RAMPA / RAMPA RAMPE / RAMPE
14PLG722* 14727	●
14PLP002	●

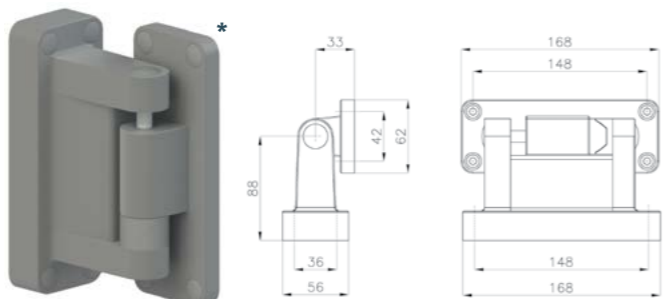
REVERSIBLE HINGE H=58 GREY RAL7004
WITH PLUGS FOR DOOR THK.=92
CERNIERA REVERSIBILE H=58 GRIGIO RAL7004
CON TAPPI PER PORTA SP=92
BISAGRA REVERSIBILE H=58 GRIS RAL7004
CON TAPONES PARA PUERTA ESP=92
CHARNIÈRE REVERSIBLE H=58 GRIS RAL7004
AVEC BOUCHONS POUR PORTE EP=92
UMKEHRBARER SCHARNIER H=58 GRAU RAL7004
MIT TÜR-PFROPFEN STÄRKE=92



603 LWT

CODE CODICE	CAM RAMPA / RAMPA RAMPE / RAMPE
14PLG761* 14731	●
14PLP003	●

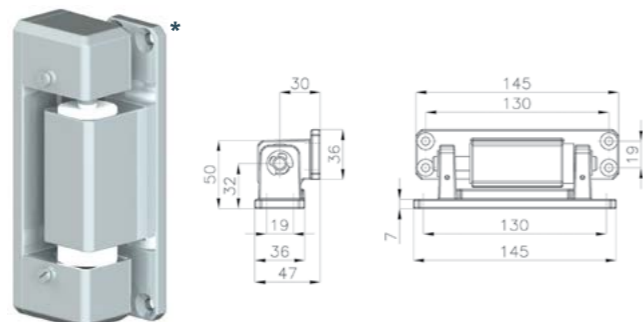
REVERSIBLE HINGE H=88 GREY RAL7004
WITH PLUGS FOR DOOR THK.=121-151
CERNIERA REVERSIBILE H=88 GRIGIO RAL7004
CON TAPPI PER PORTA SP=121-151
BISAGRA REVERSIBILE H=88 GRIS RAL7004
CON TAPONES PARA PUERTA ESP=121-151
CHARNIÈRE REVERSIBLE H=88 GRIS RAL7004
AVEC BOUCHONS POUR PORTE EP=121-151
UMKEHRBARER SCHARNIER H=88 GRAU RAL7004
MIT TÜR-PFROPFEN STÄRKE=121-151



604 LWT
740 LWT
745 LWT
750 LWT

CODE CODICE	OPENING APERTURA / APERTURA OUVERTURE / ÖFFNUNG
14OTT001 14071	Right / Destra / Derecho Droit / Rechts
14OTT002* 14072	Left / Sinistra / Izquierda Gauche / Links

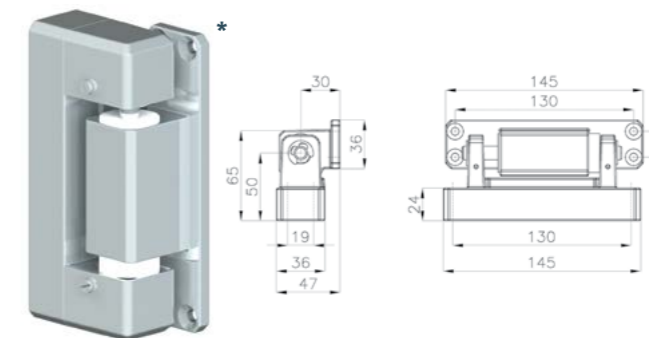
CHROMED BRASS CAM HINGE FOR DOOR THK.=68
CERNIERA OTTONE CROMATO CON RAMPA
PER PORTA SP=68
BISAGRA LATÓN CROMADO CON RAMPA
PARA PUERTA ESP=68
CHARNIÈRE LAITON CHROMÉ AVEC RAMPE
POUR PORTE EP=68
SCHARNIER AUS VERCHROMTEM MESSING
MIT RAMPE FÜR TÜR STÄRKE=68



BEFORE YEAR 2003:
500 TN

CODE CODICE	OPENING APERTURA / APERTURA OUVERTURE / ÖFFNUNG
14OTT011 14073	Right / Destra / Derecho Droit / Rechts
14OTT012* 14074	Left / Sinistra / Izquierda Gauche / Links

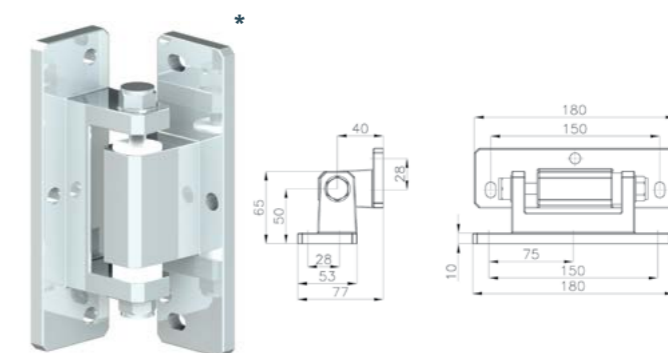
CHROMED BRASS CAM HINGE FOR DOOR THK.=68-92
CERNIERA OTTONE CROMATO CON RAMPA
PER PORTE SP=68-92
BISAGRA LATÓN CROMADO CON RAMPA
PARA PUERTA ESP=68-92
CHARNIÈRE LAITON CHROMÉ AVEC RAMPE
REVERSIBLE POUR PORTE EP=68-92
SCHARNIER AUS VERCHROMTEM MESSING
MIT RAMPE FÜR TÜREN STÄRKEN=68-92



500TN
GV5
603LWT

CODE CODICE	OPENING APERTURA / APERTURA OUVERTURE / ÖFFNUNG
14OTT101 14075	Right / Destra / Derecho Droit / Rechts
14OTT102* 14076	Left / Sinistra / Izquierda Gauche / Links

CHROMED BRASS CAM HINGE FOR DOOR
THK.=121-151
CERNIERA OTTONE CROMATO CON RAMPA
PER PORTE SP=121-151
BISAGRA LATÓN CROMADO CON RAMPA
PARA PUERTA ESP=121-151
CHARNIÈRE LAITON CHROMÉ AVEC RAMPE
POUR PORTE EP=121-151
SCHARNIER AUS VERCHROMTEM MESSING
MIT RAMPE FÜR TÜREN STÄRKEN=121-151



740LWT
745 LWT
750 LWT

14PMR002

BLACK FLAT HINGE FOR "MIRROR" TRACK
AND COVER FASTENING
CERNIERA PIANA NERA PER FISSAGGIO
COPERTINA BINARIO MOD. "MIRROR"
BISAGRA PARA FIJACIÓN DE COBERTURA
CARRIL MOD. "MIRROR"
CHARNIÈRE PLATE NOIRE POUR LE FIXAGE
DU CACHE RAIL MOD. "MIRROR"
SCHWARZES FLACHES SCHARNIER FÜR DIE FIXIERUNG
DER SCHIENENABDECKUNG MIRROR



450 GV
480 PGV
480 ATMC
480 ST
480 PT
480 TN
480 LT
480 LTB
480 LWT
485 LWT
490 LWT

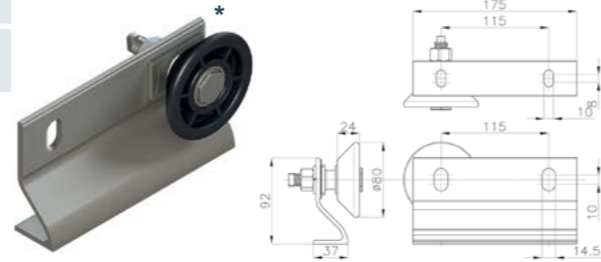


SLIDING SYSTEM COMPONENTS

ELEMENTI PER SISTEMI DI SCORRIMENTO
COMPONENTES DE SISTEMAS
CORREDERAS
COMPOSANTS DES SYSTEMES
DE COULISSAGE
KOMPONENTEN FÜR SCHIEBESYSTEME

CODE CODICE	SIDE LATO / LADO COTE / SEITE
24CAS005 14069	Right / Destra / Derecho Droit / Rechts
24CAS004* 14068	Left / Sinistra / Izquierda Gauche / Links

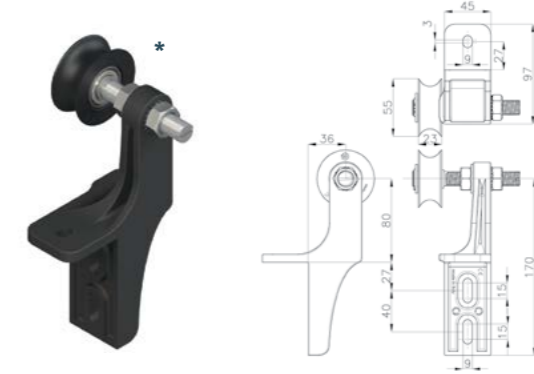
FULL ALUMINIUM PULLEY MODEL 240
CARRUCOLA MODELLO 240 IN ALLUMINIO COMPLETA
POLEA MODELO 240 EN ALUMINIO COMPLETA
POULIE MODÈLE 240 EN ALUMINIUM INTÉGRALE
OBERE ALUMINIUM ROLLE FÜR MODEL 240 KOMPLETT



240 AM
240 S

CODE CODICE	SIDE LATO / LADO COTE / SEITE
24CPL003*	Right / Destra / Derecho Droit / Rechts
24CPL004	Left / Sinistra / Izquierda Gauche / Links

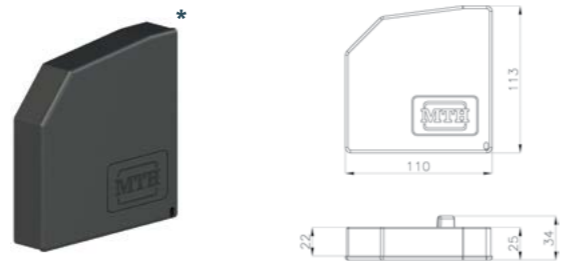
FULL PLASTIC PULLEY "LIGHT" MODEL FOR 360 LS
CARRUCOLA MODELLO "LIGHT" IN PLASTICA COMPLETA
PER PORTE MODELLO 360 LS
POLEA MODELO "LIGHT" EN PLASTICO COMPLETA
PARA PUERTAS MODELO 360 LS
POULIE MODÈLE "LIGHT" EN PLASTIQUE INTÉGRALE
POUR PORTE MODÈLE 360 LS
KUNSTSTOFF ROLLE "LIGHT" KOMPLETT
FÜR TÜREN MODEL 360 LS



360 LS

CODE CODICE	SIDE LATO / LADO COTE / SEITE
24ACT102* 15041	Right / Destra / Derecho Droit / Rechts
24ACT103 15042	Left / Sinistra / Izquierda Gauche / Links

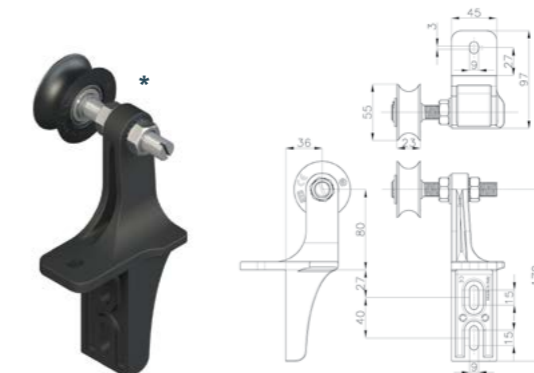
TRACK COVER HEAD FOR TRACK MODEL 240
TESTATA PER COPERTINA PER BINARIO MODELLO 240
CUBIERTA PARA MAMPARA PARA RIEL MODELO 240
TÊTE CACHE RAILLE POUR MODELE 240
KAPPE FÜR SCHIENENABDECKUNG MODEL 240



240 AM
240 S

CODE CODICE	SIDE LATO / LADO COTE / SEITE
24CPL005*	Right / Destra / Derecho Droit / Rechts
24CPL006	Left / Sinistra / Izquierda Gauche / Links

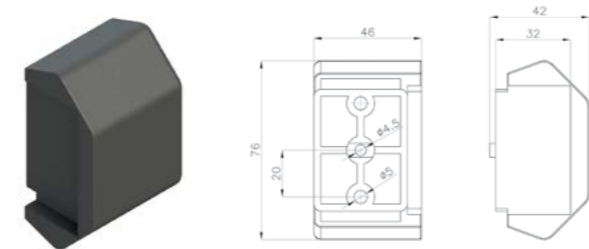
FULL PLASTIC PULLEY "LIGHT" MODEL FOR 360 FLS
CARRUCOLA MODELLO "LIGHT" IN PLASTICA COMPLETA
PER PORTE MODELLO 360 FLS
POLEA MODELO "LIGHT" EN PLASTICO COMPLETA
PARA PUERTAS MODELO 360 FLS
POULIE MODÈLE "LIGHT" EN PLASTIQUE INTÉGRALE
POUR PORTE MODÈLE 360 FLS
KUNSTSTOFF ROLLE MODEL LIGHT KOMPLETT
FÜR TÜREN MODEL 360 FLS



360 FLS

24ACP020

REVERSIBLE LIMIT STOP FOR TRACK MODEL 240
FERMO CORSA REVERSIBILE PER BINARIO MODELLO 240
TOPE DE FIN DE CARRERA REVERSIBLE PARA RIEL
MODELO 240
FIN DE COURSE REVERSIBLE POUR RAILLE MODELE 240
ENDSTÜCK FÜR FÜHRUNGSSCHIENE MODEL 240



240 AM
240 S

24CCR512

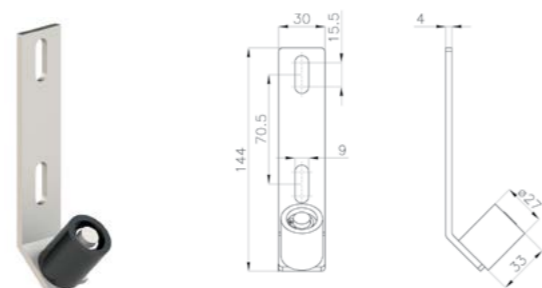
PA WHEEL WITH BEARING, GALVANIZED PIN L=155,
NUT AND WASHER FOR "LIGHT" MODEL
RUOTA IN PA CON CUSCINETTI, PERNO ZINCATO L=155,
DADI E RONDELLE PER MODELLO "LIGHT"
RUEDA EN PA CON RODAMIENTOS,
PERNO GALVANIZADO L=155, TUERCAS Y RUEDECILLAS
PARA MODELO "LIGHT"
ROULETTE EN PA AVEC COUSSINET, PIVOT ZINC L=155,
DÉS ET RONDE POUR MODÈLE "LIGHT"
CARBONROLLE MIT VERZINKTER ACHSE L=155,
MIT MUTTER UND SCHEIBEN FÜR MODEL "LIGHT"



360 LS
360 FLS

24RZI001 15079

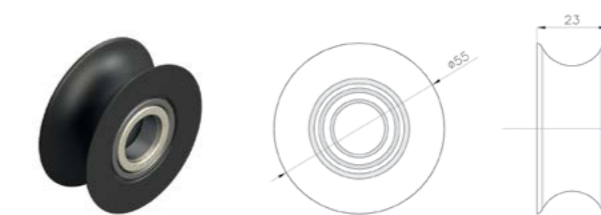
COMPLETE GALVANIZED REGISTER
FOR 240 AM MODEL INTERNAL GUIDE
REGISTRO ZINCATO COMPLETO
PER GUIDA INTERNA MODELLO 240 AM
REGISTRO GALVANIZADO COMPLETO
PARA GUÍA INTERNA MODELO 240 AM
REGISTRE GALVANISÉ INTÉGRALE
POUR GUIDE INTÉRIEURE MODELE 240 AM
INNERE FÜHRUNG MODEL 240 AM



240 AM

24CCR201

PA WHEEL FOR "LIGHT" RAIL WITH BEARING
RUOTA IN PA PER BINARIO MODELLO "LIGHT"
COMPLETA DI CUSCINETTI
RUEDA EN PA PARA RIEL MODELO "LIGHT"
COMPLETA DE RODAMIENTOS
ROULETTE EN PA POUR BINAIRE MODÈLE "LIGHT"
COMPLÉTÉE DE COUSSINET
CARBONROLLE MODEL "LIGHT" KOMPLETT
MIT KUGELLAGER



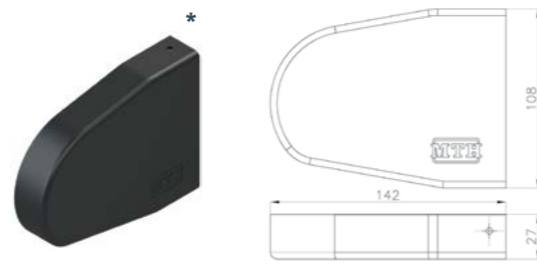
360 LS
360 FLS

CODE CODICE	SIDE LATO / LADO CÔTE / SEITE
----------------	-------------------------------------

24ACT203* Right / Destra / Derecho
Droit / Rechts

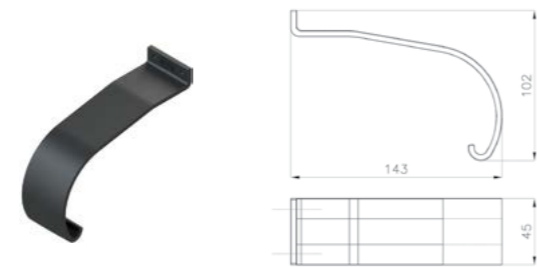
24ACT204 Left / Sinistra / Izquierda
Gauche / Links

ALUMINIUM TRACK COVER HEAD FOR "LIGHT" MODEL TRACK
TESTATA PER COPERTINA IN ALLUMINIO
PER BINARIO MODELLO "LIGHT"
CUBIERTA PARA MAMPARA EN ALUMINIO
PARA RIEL MODELO "LIGHT"
TÊTE CACHE RAILLE EN ALUMINIUM POUR MODELE "LIGHT"
KAPPE FÜR ALU-SCHIENENABDECKUNG MODELL "LIGHT"



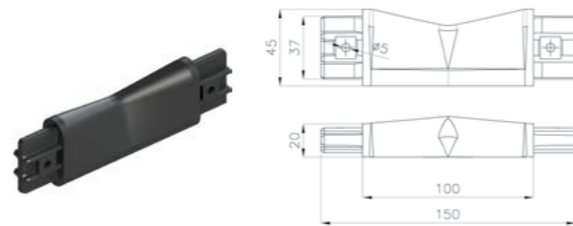
24ACT205

ALUMINIUM CENTRAL JOINT COVER
FOR "LIGHT" MODEL TRACK
COPRIGIUNTO CENTRALE PER COPERTINA IN ALLUMINIO
PER BINARIO MODELLO "LIGHT"
CUBIERTA UNION CENTRAL PARA MAMPARA EN ALUMINIO
PARA RIEL MODELO "LIGHT"
COUVRE JOINT CENTRAL CACHE RAILLE EN ALUMINIUM
POUR MODELE "LIGHT"
VERBINDER FÜR SCHIENENABDECKUNG MODELL "LIGHT"



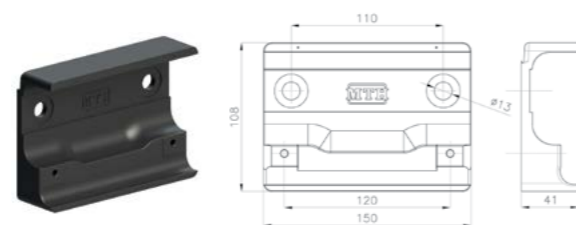
24ACC201

REVERSIBLE BEND FOR "LIGHT" MODEL TRACK
CURVA REVERSIBILE PER BINARIO MODELLO "LIGHT"
RAMPA REVERSIBILE PARA RIEL MODELO "LIGHT"
COURBE REVERSIBLE POUR RAILLE MODELE "LIGHT"
ROLLENABSENKUNG FÜR SCHIENE MODELL "LIGHT"



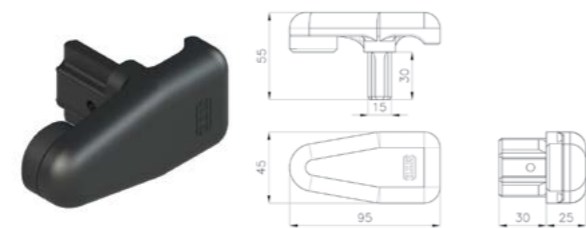
24ACC202

SUPPORT FOR "LIGHT" MODEL TRACK
SUPPORTO PER BINARIO MODELLO "LIGHT"
SOPORTE PARA RIEL MODELO "LIGHT"
SUPPORT POUR RAILLE MODELE "LIGHT"
STÜTZE FÜR SCHIENE MODELL "LIGHT"



24ACP030

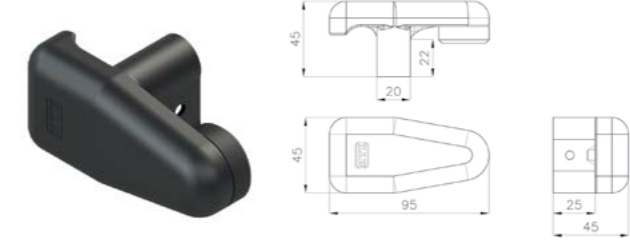
COMPLETE REVERSIBLE OPENING LIMIT STOP
FOR "LIGHT" MODEL TRACK
FERMO CORSA DI APERTURA COMPLETO REVERSIBILE
PER BINARIO MODELLO "LIGHT"
TOPE DE FIN DE CARRERA DE ABERTURA COMPLETA
REVERSIBLE PARA RIEL MODELO "LIGHT"
FIN DE COURSE DE OUVERTURE INTÉGRALE
REVERSIBLE POUR RAILLE MODELE "LIGHT"
ANSCHLUSSSTROPFEN FÜHRUNGSBEGINN KOMPLETT
FÜR SCHIENE MODELL "LIGHT"



360 LS
360 FLS

24ACP031

COMPLETE REVERSIBLE CLOSING LIMIT STOP
FOR "LIGHT" MODEL TRACK
FERMO CORSA DI CHIUSURA COMPLETO REVERSIBILE
PER BINARIO MODELLO "LIGHT"
TOPE DE FIN DE CARRERA DE CIERRE
COMPLETO REVERSIBLE PARA RIEL MODELO "LIGHT"
FIN DE COURSE DE FERMETURE INTÉGRALE REVERSIBLE
POUR RAILLE MODELE "LIGHT"
ANSCHLUSSSTOPFEN FÜHRUNGSSENDE KOMPLETT
FÜR SCHIENE MODELL "LIGHT"



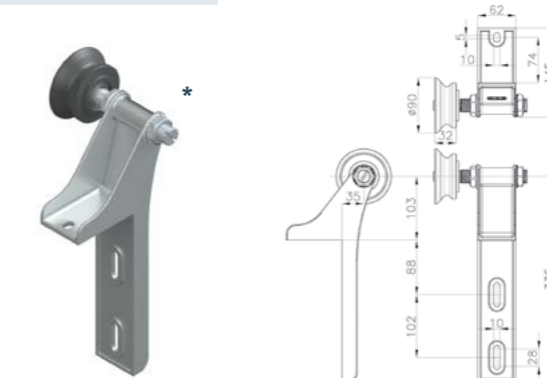
CODE CODICE	SIDE LATO / LADO CÔTE / SEITE	PIN PERNO / PERNO PIVOT / STIFT
24CPT600*	Right / Destra / Derecho Droit / Rechts	Galvanized Zincato / Galvanizado Zinc / Verzinktem
24CPT601	Left / Sinistra / Izquierda Gauche / Links	
24CPT602	Right / Destra / Derecho Droit / Rechts	Stainless Steel Inox / Edelstahl
24CPT603	Left / Sinistra / Izquierda Gauche / Links	

UNIVERSAL PLASTIC PULLEY WITH PA WHEEL
CARRUCOLA UNIVERSALE IN PLASTICA
CON RUOTA IN PA
POLEA UNIVERSAL EN PLASTICO
CON RUEDA EN PA
POULIE UNIVERSEL EN PLASTIQUE
AVEC ROULETTE EN PA
KUNSTSTOFFROLLE MIT HALTER UNIVERSAL



CODE CODICE	SIDE LATO / LADO CÔTE / SEITE	PIN PERNO / PERNO PIVOT / STIFT
24CIT310	Right / Destra / Derecho Droit / Rechts	Galvanized Zincato / Galvanizado Zinc / Verzinktem
24CIT311	Left / Sinistra / Izquierda Gauche / Links	
24CIT301*	Right / Destra / Derecho Droit / Rechts	Stainless Steel Inox / Edelstahl
24CIT302	Left / Sinistra / Izquierda Gauche / Links	

UNIVERSAL STAINLESS STEEL PULLEY WITH PA WHEEL
CARRUCOLA UNIVERSALE INOX CON RUOTA
POLEA UNIVERSAL INOX CON RUEDA EN PA
POULIE UNIVERSEL INOX AVEC ROULETTE EN PA
EDELSTAHLHALTER MIT KUNSTSTOFFROLLE UNIVERSAL



360 LS
360 FLS

480 ATMC
480 PT
480 TN
480 LT
480 LTB
480 LWT
485 LWT
490 LWT

480 ATMC
480 PT
480 TN
480 LT
480 LTB
480 LWT
485 LWT
490 LWT

CODE CODICE	SIDE LATO / LADO CÔTÉ / SEITE
24CIG002* 14064	Right / Destra / Derecho Droit / Rechts
24CIG003 14065	Left / Sinistra / Izquierda Gauche / Links

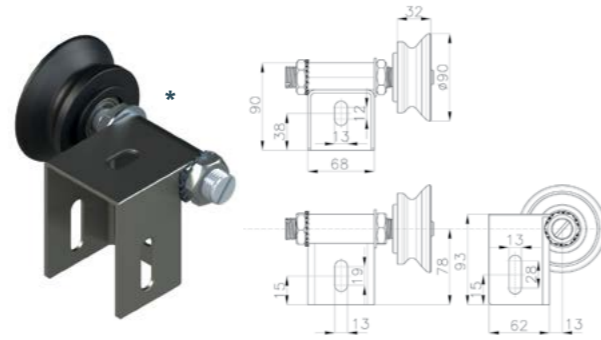
STAINLESS STEEL PULLEY FOR GV MODEL WITH PA WHEEL AND GALVANIZED PIN L=155

CARRUCOLA MODELLO GV INOX CON RUOTA IN PA E PERNO ZINCATO L=155

POLEA MODELO GV INOX CON RUEDA EN PA Y PERNO GALVANIZADO L=155

POULIE MODÈLE GV INOX AVEC ROULETTE EN PA ET PIVOT ZINC L=155

EDELSTAHLHALTER MODELL GV MIT KUNSTSTOFFROLLE UND VERZINKTER ACHSE L=155



450 GV
480 PGV

CODE CODICE	SIDE LATO / LADO CÔTÉ / SEITE
24CPS003* 14043	Right / Destra / Derecho Droit / Rechts
24CPS002 14044	Left / Sinistra / Izquierda Gauche / Links

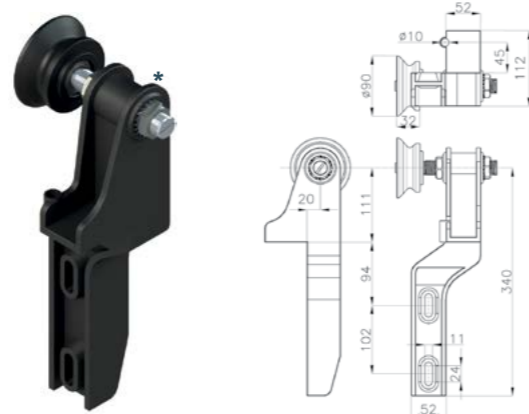
PLASTIC PULLEY FOR 480 ST WITH PA WHEEL AND GALVANIZED PIN L=155

CARRUCOLA MODELLO 480 ST IN PLASTICA CON RUOTA IN PA E PERNO ZINCATO L=155

POLEA MODELO 480 ST EN PLASTICO CON RUEDA EN PA Y PERNO GALVANIZADO L=155

POULIE MODÈLE 480 ST EN PLASTIQUE AVEC ROULETTE EN PA ET PIVOT ZINC L=155

KUNSTSTOFFROLLE MIT HALTER MODELL 480 ST UND VERZINKTER ACHSE L=155



480 ST

CODE CODICE	SIDE LATO / LADO CÔTÉ / SEITE
24CPT508*	Right / Destra / Derecho Droit / Rechts
24CPT509	Left / Sinistra / Izquierda Gauche / Links

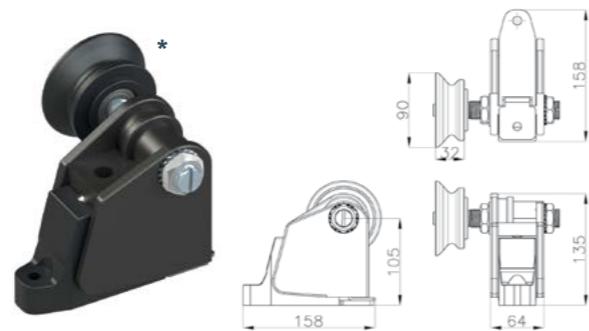
FULL CENTRAL PLASTIC PULLEY FOR DOUBLE-BLADED DOOR WITH SUPPORT

CARRUCOLA CENTRALE IN PLASTICA COMPLETA PER PORTA A DUE ANTE CON SUPPORTO

POLEA CENTRAL EN PLASTICO COMPLETA PARA PUERTA DOS BATIENTES CON SOPORTE

POULIE CENTRAL EN PLASTIQUE INTÉGRALE POUR PORTE A DEUX VANTAUX AVEC SUPPORT

KUNSTSTOFFROLLE MITTE KOMPLETT FÜR DOPPELFLÜGELIGE TÜREN MIT STÜTZE



TWO WINGS DOOR:
480 PT
480 TN
480 LT

CODE CODICE	SIDE LATO / LADO CÔTÉ / SEITE
24CIT009*	Right / Destra / Derecho Droit / Rechts
24CIT010	Left / Sinistra / Izquierda Gauche / Links

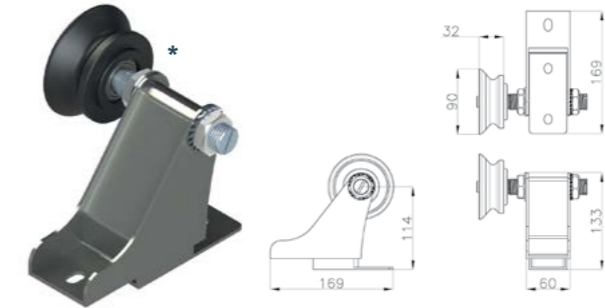
FULL UNIVERSAL CENTRAL STAINLESS STEEL PULLEY FOR DOUBLE-BLADED DOOR WITH SUPPORT

CARRUCOLA UNIVERSALE CENTRALE INOX COMPLETA PER PORTA A DUE ANTE CON SUPPORTO

POLEA UNIVERSAL CENTRAL INOX COMPLETA PARA PUERTA DOS BATIENTES CON SOPORTE

POULIE UNIVERSEL CENTRAL INOX INTÉGRALE POUR PORTE A DEUX VANTAUX AVEC SUPPORT

EDELSTAHLHALTER MITTE MIT KUNSTSTOFFROLLE UNIVERSAL KOMPLETT FÜR ZWEIFLÜGELIGE TÜREN MIT STÜTZE



TWO WINGS DOOR:
480 PT
480 TN
480 LT
480 LTB
480 LWT

CODE CODICE	SIDE LATO / LADO CÔTÉ / SEITE
24ACT603*	Right / Destra / Derecho Droit / Rechts
24ACT604	Left / Sinistra / Izquierda Gauche / Links

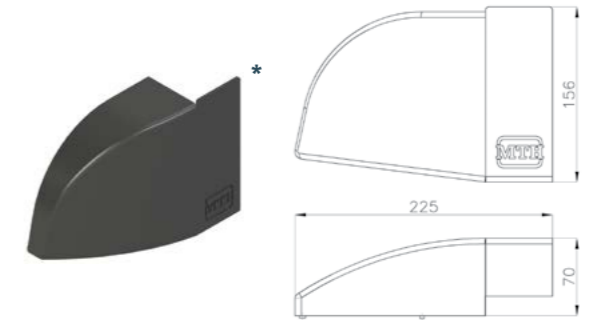
ALUMINIUM TRACK COVER HEAD FOR "MIRROR" MODEL TRACK

TESTATA PER COPERTINA IN ALLUMINIO PER BINARIO MODELLO "MIRROR"

CUBIERTA PARA MAMPARA EN ALUMINIO PARA RIEL MODELO "MIRROR"

TÊTE CACHE RAILLE EN ALUMINIUM POUR MODELE "MIRROR"

KAPPE FÜR ALU-SCHIENENABDECKUNG MODELL "MIRROR"



450 GV
480 PGV
480 ATMC
480 ST
480 PT
480 TN
480 LT
480 LTB
480 LWT
485 LWT
490 LWT

24ACT605

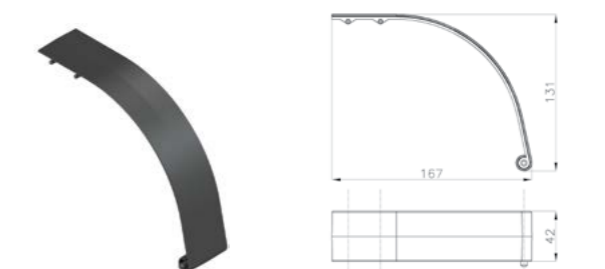
ALUMINIUM CENTRAL JOINT COVER FOR "MIRROR" MODEL TRACK

COPRIGIUNTO CENTRALE PER COPERTINA IN ALLUMINIO PER BINARIO MODELLO "MIRROR"

CUBIERTA UNION CENTRAL PARA MAMPARA EN ALUMINIO PARA RIEL MODELO "MIRROR"

COUVRE JOINT CENTRAL CACHE RAILLE EN ALUMINIUM POUR MODELE "MIRROR"

VERBINDER FÜR SCHIENENABDECKUNG MODELL "MIRROR"



450 GV
480 PGV
480 ATMC
480 ST
480 PT
480 TN
480 LT
480 LTB
480 LWT
485 LWT
490 LWT

24BIN001

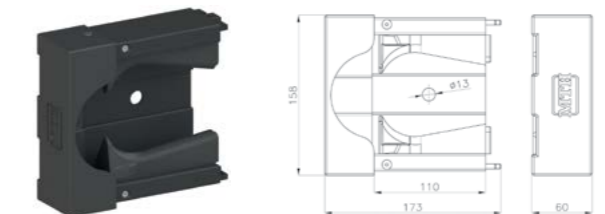
CLOSING BLOCK WITH BENDS AND PLUG FOR "MIRROR" MODEL TRACK

BLOCCO DI CHIUSURA COMPLETO DI CURVE E TAPPO PER BINARIO MODELLO "MIRROR"

BLOQUE DE CIERRE COMPLETO DE RAMPAS Y TAPÓN PARA RIEL MODELO "MIRROR"

BLOC DE FERMETURE COMPLÉTÉ DE COURBE ET BOUCHON POUR RAILLE MODELE "MIRROR"

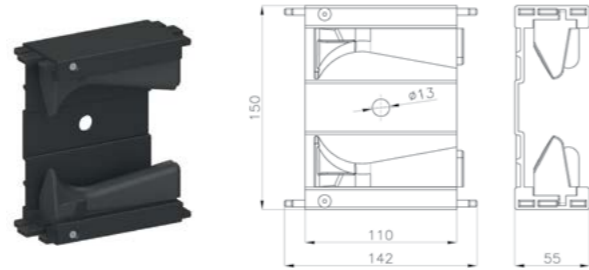
ENDKAPPE KOMPLETT MIT FALLE UND PFROPFEN FÜR MODELL "MIRROR"



450 GV
480 PGV
480 ATMC
480 ST
480 PT
480 TN
480 LT
480 LTB
480 LWT
485 LWT
490 LWT

24BIN002

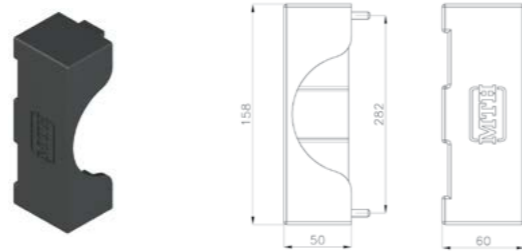
CENTRAL BLOCK WITH BENDS AND PLUG FOR "MIRROR" MODEL TRACK
BLOCCO CENTRALE COMPLETO DI CURVE PER BINARIO "MIRROR"
BLOQUE CENTRAL COMPLETO DI CURVE PARA RIEL "MIRROR"
BLOC CENTRAL COMPLÉTÉ DE CURVE POUR RAILLE "MIRROR"
ZENTRALE KAPPE KOMPLETT MIT FALLE FÜR MODELL "MIRROR"



450 GV
480 PGV
480 ATMC
480 ST
480 PT
480 TN
480 LT
480 LTB
480 LWT
485 LWT
490 LWT

24ACT602

OPENING SIDE END PLUG FOR "MIRROR" MODEL TRACK
TAPPO TERMINALE DEL LATO APERTURA PER BINARIO MODELLO "MIRROR"
TAPÓN TERMINAL LADO ABERTURA PARA RIEL MODELO "MIRROR"
BOUCHON TERMINAL DU CÔTE OUVERTURE POUR RAILLE MODELE "MIRROR"
ANSCHLUSSPFROPFEN FÜR ÖFFNUNGSSEITE FÜR MODELL "MIRROR"



450 GV
480 PGV
480 ATMC
480 ST
480 PT
480 TN
480 LT
480 LTB
480 LWT
485 LWT
490 LWT

CODE CODICE	SIDE LATO / LADO CÔTE / SEITE
24ACT004*	Right / Destra / Derecho Droit / Rechts
24ACT005	Left / Sinistra / Izquierda Gauche / Links

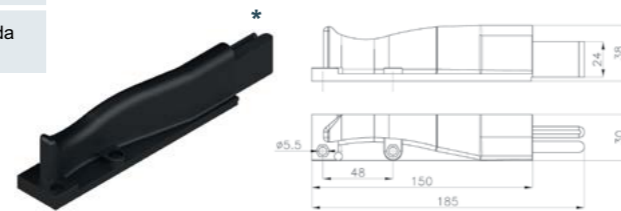
TRACK COVER HEAD FOR CLASSIC MODEL TRACK
TESTATA PER COPERTINA DEL BINARIO MODELLO CLASSICO
CUBIERTA PARA MAMPARA DEL RIEL MODELO CLÁSICO
TÊTE CACHE RAILLE EN ALUMINIUM POUR MODELE CLASSIQUE
KAPPE FÜR SCHIENENABDECKUNG KLASSISCHES MODELL



450 GV
480 PGV
480 ATMC
480 ST
480 PT
480 TN
480 LT
480 LTB
480 LWT
485 LWT
490 LWT

CODE CODICE	OPENING APERTURA / APERTURA OUVERTURE / OFFNUNG
24ACC003* 15087	Right / Destra / Derecho Droit / Rechts
24ACC004 15088	Left / Sinistra / Izquierda Gauche / Links

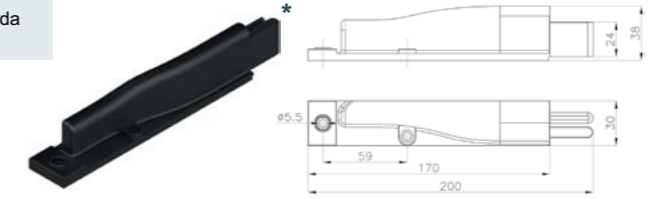
BEND WITH GROOVE FOR CLASSIC MODEL TRACK
CURVA CON INCAVO PER BINARIO MODELLO CLASSICO
RAMPA CON MUESCA PARA RIEL MODELO CLÁSICO
COURBE AVEC ENTAILLE POUR RAILLE MODELE CLASSIQUE
KURVE MIT VERTIEFUNG FÜR SCHIENE KLASSISCHES MODELL



450 GV
480 PGV
480 ATMC
480 ST
480 PT
480 TN
480 LT
480 LTB
480 LWT
485 LWT
490 LWT

CODE CODICE	OPENING APERTURA / APERTURA OUVERTURE / OFFNUNG
24ACC053* 15089	Right / Destra / Derecho Droit / Rechts
24ACC054 15090	Left / Sinistra / Izquierda Gauche / Links

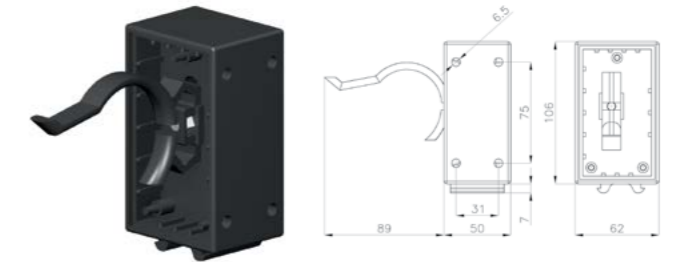
BEND WITHOUT GROOVE FOR CLASSIC MODEL TRACK
CURVA SENZA INCAVO PER BINARIO MODELLO CLASSICO
RAMPA SIN MUESCA PARA RIEL MODELO CLÁSICO
COURBE SANS ENTAILLE POUR RAILLE MODELE CLASSIQUE
KURVE OHNE VERTIEFUNG FÜR SCHIENE KLASSISCHES MODELL



450 GV
480 PGV
480 ATMC
480 ST
480 PT
480 TN
480 LT
480 LTB
480 LWT
485 LWT
490 LWT

24ACP930

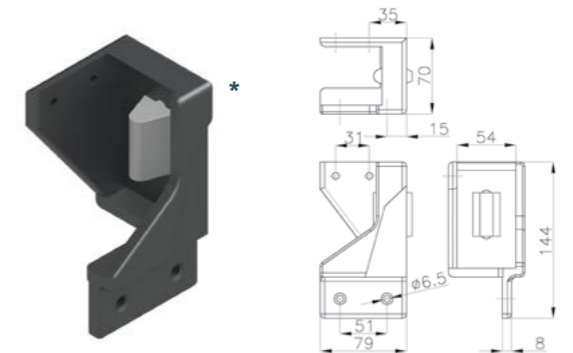
COMPLETE REVERSIBLE OPENING LIMIT STOP FOR CLASSIC MODEL TRACK
FERMO CORSA DI APERTURA COMPLETO REVERSIBILE PER BINARIO MODELLO CLASSICO
TOPE DE FIN DE CARRERA DE ABERTURA COMPLETA REVERSIBLE PARA RIEL MODELO CLÁSICO
FIN DE COURSE DE OUVERTURE INTÉGRAL REVERSIBLE POUR RAILLE MODELE CLASSIQUE
UMKEHRBARER LAUFANSCHLAG KOMPLETT FÜR KLASSISCHES MODELL



450 GV
480 PGV
480 ATMC
480 ST
480 PT
480 TN
480 LT
480 LTB
480 LWT
485 LWT
490 LWT

CODE CODICE	OPENING APERTURA / APERTURA OUVERTURE / OFFNUNG
24ACP001* 15035	Right / Destra / Derecho Droit / Rechts
24ACP002 15036	Left / Sinistra / Izquierda Gauche / Links

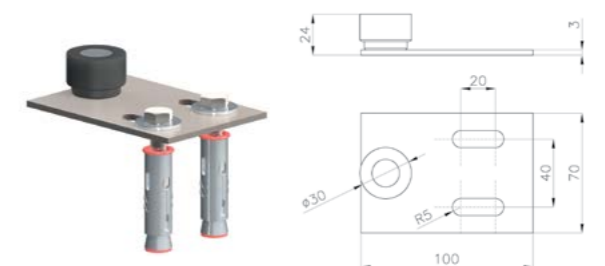
OPENING LIMIT STOP FOR CLASSIC MODEL TRACK
FERMO CORSA DI APERTURA PER BINARIO MODELLO CLASSICO
TOPE DE FIN DE CARRERA DE ABERTURA PARA RIEL MODELO CLÁSICO
FIN DE COURSE DE OUVERTURE POUR RAILLE MODELE CLASSIQUE
LAUFROLLENANSCHLAG FÜR SCHIENE KLASSISCHES MODELL



ST. STEEL DOOR:
450 GV
480 PGV
480 ATMC
480 ST
480 PT
480 TN
480 LT
480 LTB
480 LWT
485 LWT
490 LWT

24RIN200 16036

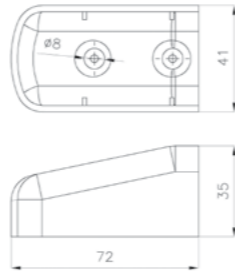
COMPLETE STAINLESS STEEL REGISTER FOR FLOOR GUIDE
REGISTRO INOX PER GUIDA A PAVIMENTO COMPLETO
REGISTRO INOX PARA GUÍA A PISO COMPLETO
REGISTRE INOX POUR GUIDE A SOL INTÉGRAL
BODENFÜHRUNGSROLLE MIT EDELSTAHLPLATTE KOMPLETT



240 S
360 LS
480 ST

24RCT201

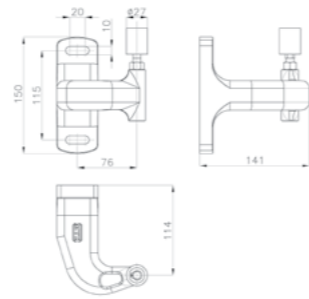
BLACK COVER FOR FLOOR GUIDE ENDS
COPERTURA NERA PER ESTREMITÀ GUIDA A PAVIMENTO
CUBIERTA NEGRA PARA EXTREMIDAD GUÍA A PISO
BOUCHON NOIRE POUR EXTRÉMITÉ GUIDE AU SOL
SCHWARZE ABDECKUNG FÜR ENDE BODENFÜHRUNG



240 S
360 LS
480 ST

24RPV225

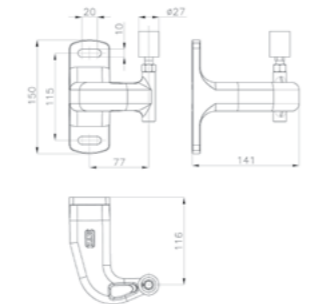
REVERSIBLE PLASTIC REAR REGISTER 2.0,
WITH PIN AND ADJUSTABLE ROLLER
REGISTRO POSTERIORE 2.0 IN PLASTICA,
REVERSIBILE CON PERNO E RULLINO REGOLABILE
REGISTRO POSTERIOR 2.0 EN PLÁSTICO,
REVERSIBLE CON PERNO Y RODILLO AJUSTABLE
REGISTRE POSTÉRIEUR 2.0 EN PLASTIQUE,
REVERSIBLE AVEC PIVOT ET ROULEAU RÉGLABLE
ROLLE FÜR WANDFÜHRUNG 2.0 AUS KUNSTSTOFF,
UMKEHRBAR MIT BOLZEN UND REGULIERBARER RÖLLE



360 FLS
450 GV
480 PGV
480 ATMC
480 PT
480 TN
480 LT
480 LTB
480 LWT
485 LWT
490 LWT

24RIN007

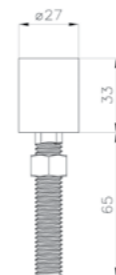
REVERSIBLE STAINLESS STEEL REAR REGISTER 2.0,
WITH PIN AND ADJUSTABLE ROLLER
REGISTRO POSTERIORE 2.0 INOX,
REVERSIBILE CON PERNO E RULLINO REGOLABILE
REGISTRO POSTERIOR 2.0 INOX,
REVERSIBLE CON PERNO Y RODILLO AJUSTABLE
REGISTRE POSTÉRIEUR 2.0 INOX,
REVERSIBLE AVEC PIVOT ET ROULEAU RÉGLABLE
ROLLE FÜR WANDFÜHRUNG 2.0 AUS EDELSTAHL,
UMKEHRBAR MIT BOLZEN UND REGULIERBARER RÖLLE



450 GV
480 PGV
480 ATMC
480 PT
480 TN
480 LT
480 LTB
480 LWT
485 LWT
490 LWT

24RCR003

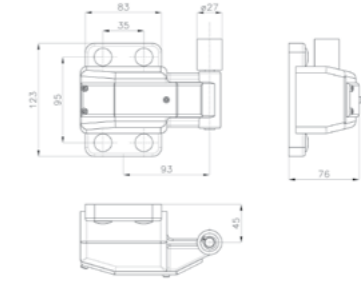
ROLLER WITH THREADED PIN FOR REAR REGISTER
RULLINO COMPLETO DI PERNO FILETTATO
PER REGISTRO POSTERIORE
RODILLO COMPLETO DE PERNO DE ROSCA
PARA REGISTRO POSTERIOR
ROULEAU COMPLÉTÉ DE PIVOT AVEC FILET
POUR REGISTRE POSTÉRIEUR
ROLLE MIT BOLZEN UND GEWINDE



COMPATIBILITY:
24RPV225
24RIN007

CODE CODICE	OPENING APERTURA / APERTURA OUVERTURE / ÖFFNUNG
24RPV001 * 15073	Right / Destra / Derecho Droit / Rechts
24RPV002 15074	Left / Sinistra / Izquierda Gauche / Links

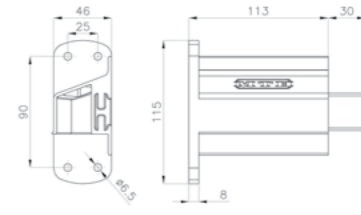
REAR REGISTER WITH PIN AND ROLLER
REGISTRO POSTERIORE CON PERNO E RULLINO
REGISTRO POSTERIOR CON PERNO Y RODILLO
REGISTRE POSTÉRIEUR AVEC PIVOT ET ROULEAU
ROLLE FÜR WANDFÜHRUNG MIT BOLZEN UND RÖLLE



SLIDING DOORS
BEFORE YEAR 2003:
450 GV
480 ATMC
480 TN
480 LWT

CODE CODICE	OPENING APERTURA / APERTURA OUVERTURE / ÖFFNUNG
24RCS910 *	Right / Destra / Derecho Droit / Rechts
24RCS911	Left / Sinistra / Izquierda Gauche / Links

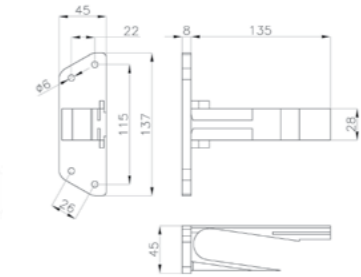
REAR GUIDE FIXING BRACKET
STAFFA DI FISSAGGIO PER GUIDA POSTERIORE
ESTRIBO DE FIJACION PER GUÍA POSTERIOR
ETRIER DE FIXAGE POUR GUIDE POSTÉRIEUR
HALTER FÜR DIE WANDFÜHRUNGSSCHIENE
ZUM RAHMEN



360 FLS
450 GV
480 PGV
480 ATMC
480 PT
480 TN
480 LT
480 LTB
480 LWT
485 LWT
490 LWT

24RCS001 15071

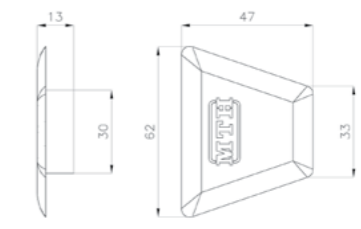
REVERSIBLE REAR GUIDE FIXING BRACKET
STAFFA DI FISSAGGIO REVERSIBILE
PER GUIDA POSTERIORE
ESTRIBO DE FIJACION REVERSIBLE
PER GUÍA POSTERIOR
ETRIER DE FIXAGE REVERSIBLE
POUR GUIDE POSTÉRIEUR
HALTER FÜR DIE WANDFÜHRUNGSSCHIENE
ZUM RAHMEN REGULIERBAR



360 FLS
450 GV
480 PGV
480 ATMC
480 PT
480 TN
480 LT
480 LTB
480 LWT
485 LWT
490 LWT

24RCT100 15072

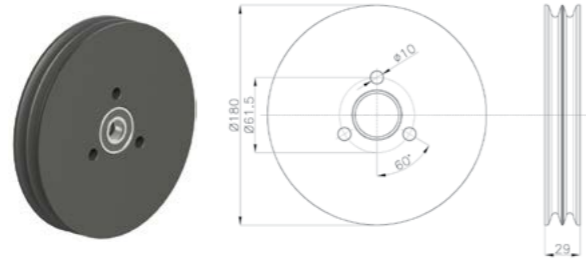
REVERSIBLE REAR GUIDE PLUG
TAPPO REVERSIBILE PER GUIDA POSTERIORE
TAPÓN REVERSIBLE PARA GUÍA POSTERIOR
BOUCHON REVERSIBLE POUR GUIDE POSTÉRIEUR
ENDKAPPE FÜR WANDFÜHRUNGSSCHIENE



360 FLS
450 GV
480 PGV
480 ATMC
480 PT
480 TN
480 LT
480 LTB
480 LWT
485 LWT
490 LWT

24GHI845

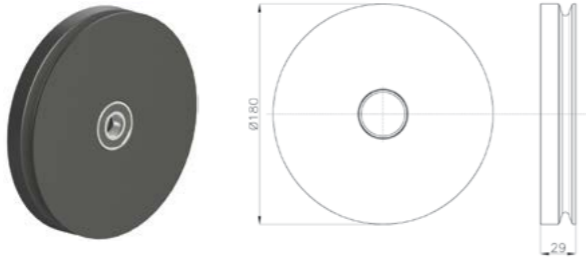
ENGINE SHEAVE WITH BEARING FOR VERTICAL SLIDING DOOR
PULEGIA MOTORE PER PORTA SCORREVOLE VERTICALE CON CUSCINETTI
POLEA MOTOR PARA PUERTA CORREDERA VERTICAL CON RODAMIENTOS
POULIE MOTEUR POUR PORTE COULISSANTE VERTICAL AVEC COUSSINET
FÜHRUNGSROLLE FÜR VERTIKALE SCHIEBETÜR MIT KUGELLAGER



VERTICAL TN
VERTICAL LWT

24GHI846

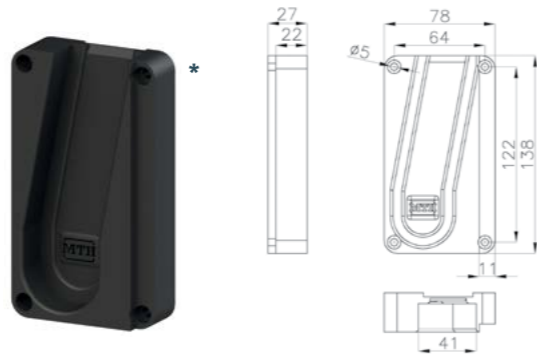
CONDUCTING SHEAVE WITH BEARING FOR VERTICAL SLIDING DOOR
PULEGIA CONDOTTA PER PORTA SCORREVOLE VERTICALE CON CUSCINETTI
POLEA CONDUCTA PARA PUERTA CORREDERA VERTICAL CON RODAMIENTOS
POULIE CONDUITE POUR PORTE COULISSANTE VERTICAL AVEC COUSSINET
FÜHRUNGSROLLE FÜR VERTIKALE SCHIEBETÜR MIT KUGELLAGER



VERTICAL TN
VERTICAL LWT

CODE CODICE	OPENING APERTURA / APERTURA OUVERTURE / ÖFFNUNG
24GHI870*	Right / Destra / Derecho Droit / Rechts
24GHI871	Left / Sinistra / Izquierda Gauche / Links

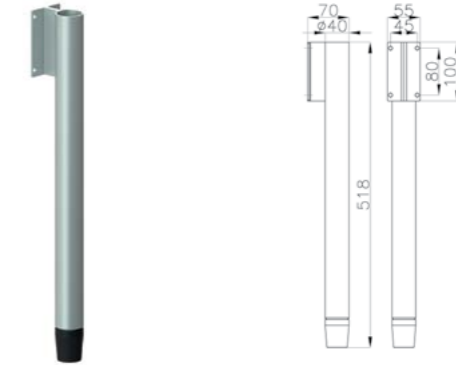
BEND FOR VERTICAL SLIDING GUIDE
CURVA PER GUIDA DI SCORRIMENTO VERTICALE
RAMPA PARA GUÍA CORREDERA VERTICAL
COURBE POUR GUIDE DE COULISSAGE VERTICAL
KURVE FÜR FÜHRUNG MIT VERTIKALEM SCHLUPF



VERTICAL TN
VERTICAL LWT

24GHI810

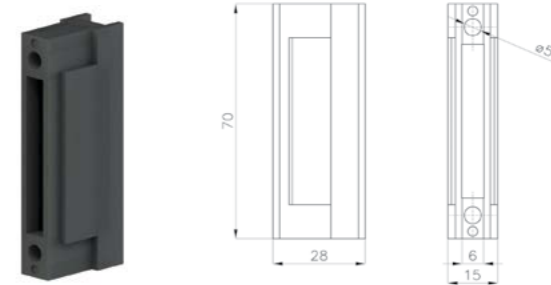
COMPLETE OPENING LIMIT STOP FOR VERTICAL SLIDING DOOR
FERMO CORSA DI APERTURA COMPLETO PER PORTA SCORREVOLE VERTICALE
TOPE DE FIN DE CARRERA DE ABERTURA COMPLETA PARA PUERTA CORREDERA VERTICAL
FIN DE COURSE DE OUVERTURE INTÉGRAL POUR PORTE COULISSANTE VERTICAL
ÖFFNUNG UMKEHRBARER ENDSCHALTER KOMPLET FÜR VERTIKALE SCHIEBETÜR



VERTICAL TN
VERTICAL LWT

24GHI872

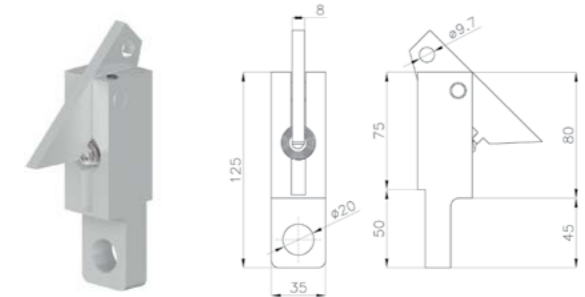
PLUG FOR VERTICAL SLIDING GUIDE
TAPPO PER GUIDA DI SCORRIMENTO VERTICALE
TAPÓN PER GUÍA DI SCORRIMENTO VERTICAL
BOUCHON POUR GUIDE DE COULISSAGE VERTICAL
PFROPFEN FÜR FÜHRUNG MIT VERTIKALEM SCHLUPF



VERTICAL TN
VERTICAL LWT

24GHI841

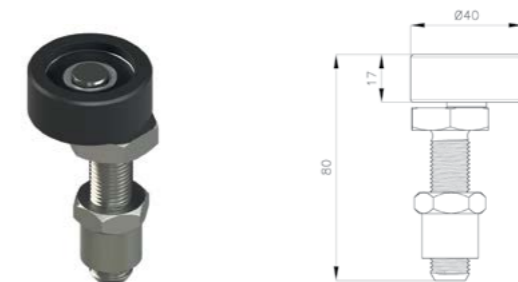
ANTI-FALL DEVICE FOR VERTICAL SLIDING DOOR
PARACADUTE PER PORTA SCORREVOLE VERTICALE
PARACAÍDAS PARA PUERTA CORREDERA VERTICAL
PARACHUTE POUR PORTE COULISSANTE VERTICAL
ANTI-FALL-GERÄT FÜR VERTIKALE SCHIEBETÜR



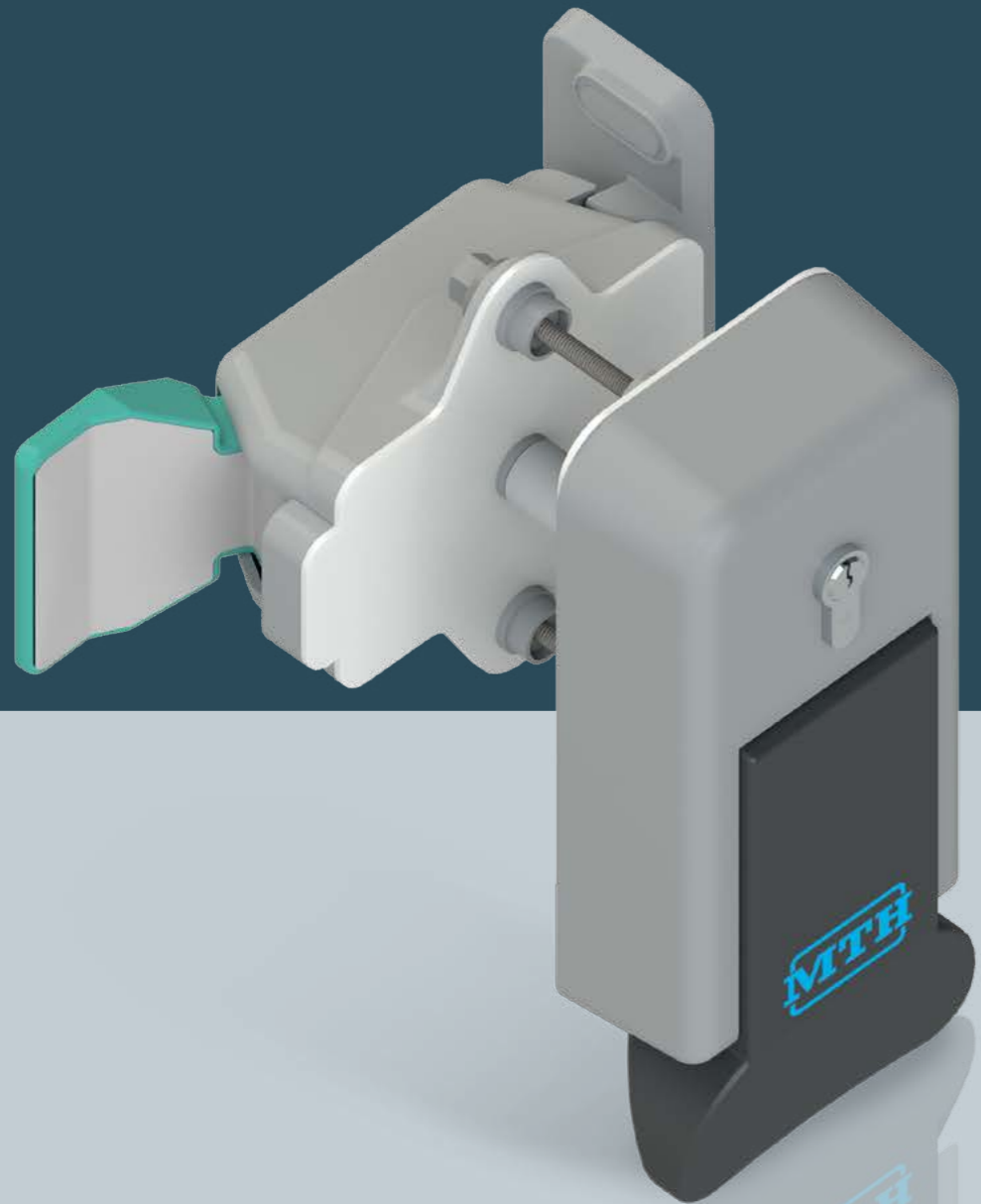
VERTICAL TN
VERTICAL LWT

24GHI840

FULL REGISTER FOR SLIDING VERTICAL DOOR
REGISTRO COMPLETO PER PORTA SCORREVOLE VERTICALE
REGLAJE COMPLETA PARA PUERTA CORREDERA VERTICAL
REGLAGE INTÉGRALE POUR PORTE COULISSANTE VERTICAL
ROLLE KOMPLETT FÜR VERTIKALE SCHIEBETÜR



VERTICAL TN
VERTICAL LWT



HANDLES AND LOCKS

MANIGLIE E CHIUSURE
MANIJAS Y CIERRES
POIGNÉES ET SERRURES
TÜRGRIFFE UND SCHLÖSSER



13TUF198

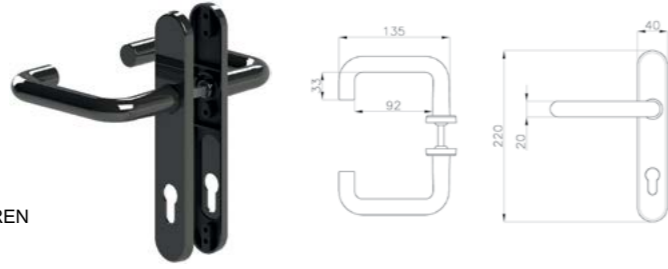
BLACK PLASTIC HANDLE FOR SERVICE DOOR
ON OVAL PLATE 220X40

MANIGLIA IN PLASTICA NERA PER TIPO UFFICIO
CON PLACCA OVALE 220X40

MANIJA PLASTICO NEGRA PUERTA DE SERVICIO
CON PLACA OVAL 220X40

POIGNEE EN PLASTIQUE NOIRE POUR TYPE BUREAU
AVEC PLAQUE OVAL 220X40

KUNSTSTOFFGRIFF SCHWARZ FÜR BETRIEBSRAUMTÜREN
MIT OVALEM LANGSCHILD 220X40



CODE CODICE	HANDLE / MANIGLIA / MANIJA POIGNEE / GRIFF
13TUF149	Anodized aluminium Alluminio anodizzato / Aluminio anodizado Aluminium anodisé / Eloxierte aluminium
13TUF001*	Stainless Steel Inox / Edelstahl

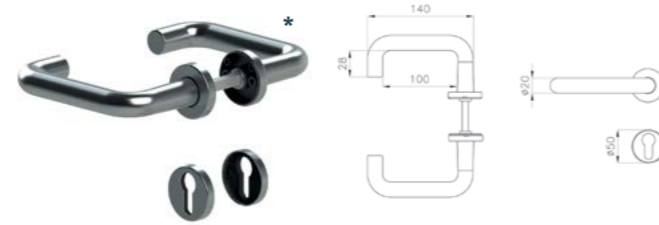
HANDLE ON ROSE YALE Ø 50 FOR SERVICE DOOR

MANIGLIA PER TIPO UFFICIO CON ROSETTA
E BOCCHETTA YALE Ø 50

MANIJA PUERTA DE SERVICIO CON ARANDELA
Y TOBERA YALE Ø 50

POIGNEE POUR TYPE BUREAU AVEC RONDELLE
ET BEC YALE Ø 50

GRIFF FÜR BETRIEBSTÜREN MIT ROSETTE
UND BESCHLAG YALE Ø 50



13TUC203 13013

LOCK FOR SERVICE DOOR

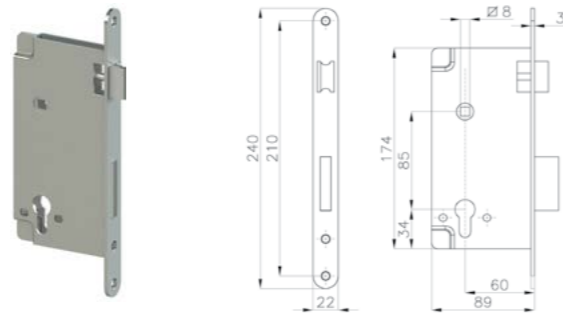
SERRATURA PER TIPO UFFICIO

CERRADURA INOX PUERTA DE SERVICIO

SERRURE POUR TYPE BUREAU

EDELSTAHL EINSTECKSCHLOSS

FÜR BETRIEBSRAUMTÜREN



CODE CODICE	X (mm)	DOOR MODELS MODELLI PORTA
13TUC116	25	SERVICE DOOR (ALUMINIUM)
13TUC113*	30	ST. STEEL SERVICE DOOR

NICKEL-PLATED BRASS CYLINDER WITH DIFFERENT KEY
FOR SERVICE DOOR

CILINDRO IN OTTONE NICHELATO CON CHIAVE DIVERSA
PER TIPO UFFICIO

CILINDRO LATÓN NICHELATO CLAVE DIFERENTE
PARA PUERTA DE SERVICIO

CYLINDRE EN LAITON NICKELÉ AVEC CLÉ DIFFÉRENTE
POUR TYPE BUREAU

NICKEL-PLATED MESSING-ZYLINDER
MIT ANDEREN SCHLOSS FÜR BETRIEBSRAUMTÜREN



SERVICE DOOR

12VAR301

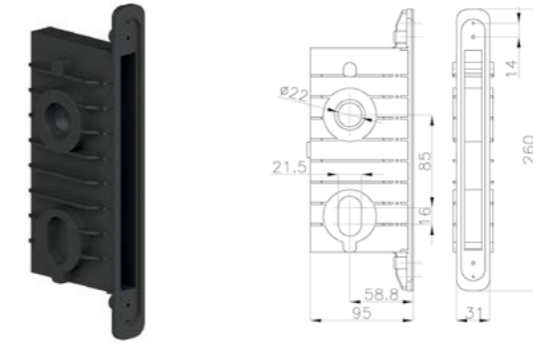
LOCK CASE FOR SERVICE DOOR

VASCETTA DI CONTENIMENTO SERRATURA
TIPO UFFICIO

BANDEJA DE CONTENCIÓN CERRADURA PUERTA
DE SERVICIO

CUVETTE DE CONFINEMENT SERRURE TYPE BUREAU

GEHÄUSE FÜR EINSTECKSCHLOSS
FÜR BETRIEBSRAUMTÜREN



SERVICE DOOR

12VAR300 15067

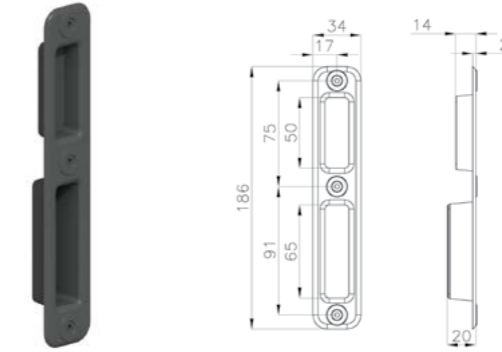
WATERPROOF HANDLE STRIKE PLATE
FOR SERVICE DOOR

VASCETTA DI RISCONTRO MANIGLIA PER TIPO UFFICIO

BANDEJA DE APOYO MANIJA PUERTA DE SERVICIO

CUVETTE DE REPERE POIGNEE POUR TYPE BUREAU

GEHÄUSE FÜR SCHLAGGRIFF
FÜR BETRIEBSRAUMTÜREN



13TUC402 13012

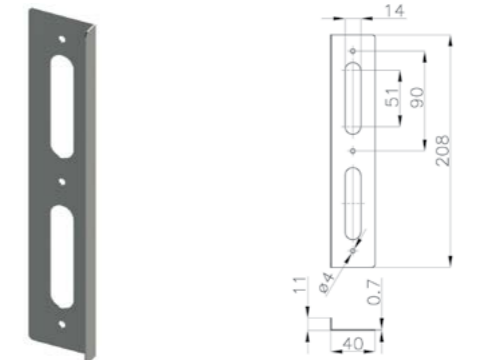
STAINLESS STEEL HANDLE STRIKE PLATE
FOR SERVICE DOOR

MASCHERINA INOX PER SERRATURA TIPO UFFICIO

MASCARILLA INOX PARA CERRADURA PUERTA
DE SERVICIO

MASQUE INOX POUR SERRURE TYPE BUREAU

EDELSTAHL HALBMASKE SCHLOSS FÜR BETRIEBSTÜREN



SERVICE DOOR

13TUC304

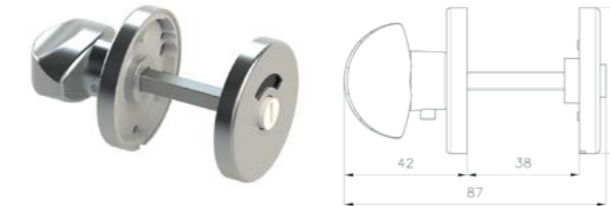
FREE/BUSY ALUMINIUM THUMB TURN LOCK SILVER Ø 50

NOTTOLINO LIBERO/OCCUPATO IN ALLUMINIO
COLORE ARGENTO Ø 50

APRIETE LIBRE/OCCUPADO ALUMINIO
COLOR PLATEADO Ø 50

CLIQUET LIBRE/OCCUPÉ EN ALUMINIUM
COULEUR ARGENT Ø 50

ALUMINIUM DREHRIEGEL FREI/BESETZT SILBER Ø 50



SERVICE DOOR
(ALUMINIUM)

SERVICE DOOR

SERVICE DOOR

SERVICE DOOR
(ALUMINIUM)

SERVICE DOOR

13TUC202 13018

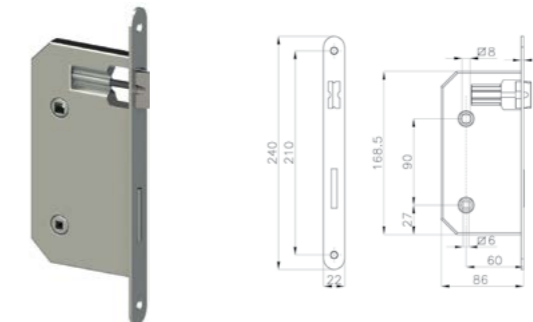
FREE/BUSY LOCK FOR SERVICE DOOR

SERRATURA LIBERO/OCCUPATO PER TIPO UFFICIO

CERRADURA LIBRE/OCCUPADO PUERTA DE SERVICIO

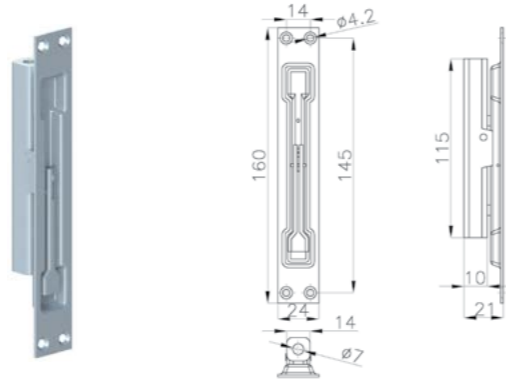
SERRURE LIBRE/OCCUPÉ POUR TYPE BUREAU

EINSTECKSCHLOSS FREI/BESETZT FÜR
BETRIEBSRAUMTÜREN



13FEZ001
13016

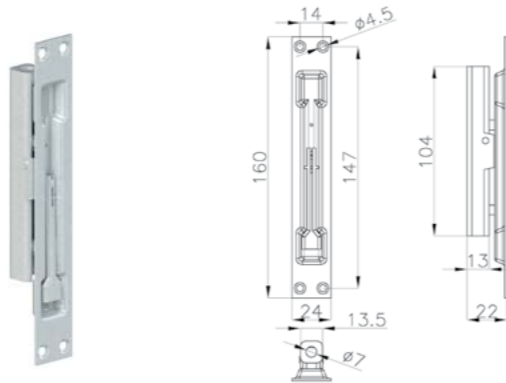
GALVANIZED STEEL DOOR BOLT
FOR DOUBLE-BLADED DOORS
CATENACCIO A LEVA IN ACCIAIO ZINCATO
PER PORTE A DUE ANTE
ALTIBAJOS DE PALANCA EN ACERO GALVANIZADO
PARA PUERTAS A DOS BATIENTES
VERROU A LEVIER EN ACIER GALVANISÉ
POUR PORTE A DEUX VANTAUX
FESTSTELLER AUS VERZINKTEM STAHL
FÜR ZWEIFLÜGELIGE BETRIEBSRAUMTÜREN



SERVICE DOOR 2W
(ALUMINIUM)

13FEI150

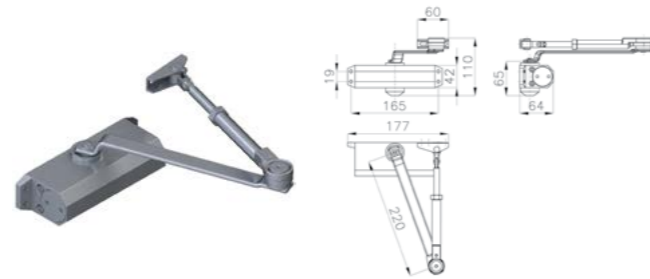
STAINLESS STEEL DOOR BOLT 24X160
CATENACCIO INOX A LEVA 24X160
ALTIBAJOS INOX DE PALANCA 24X160
VERROU INOX A LEVIER 24X160
FESTSTELLER AUS EDELSTAHL FÜR ZWEIFLÜGELIGE
BETRIEBSRAUMTÜREN 24X160



SERVICE DOOR 2W
(STAINLESS STEEL)

13ALT150

DOOR CLOSER WITH ADJUSTABLE CLOSING FORCE
SILVER COMPLETE WITH ARM
CHIUDIPORTA AEREO CON FORZA REGOLABILE
COLORE ARGENTO COMPLETO DI BRACCIO
BRAZO CIERRE PUERTA, FUERZA AJUSTABLE
CON BRAZO
FERME-PORTE AVEC FORCE RÉGLABLE
COULEUR ARGENT COMPLÉTÉ DE BRAS
OBERTÜRSCHLIESSER FARBE SILBER KOMPLETT
MIT ARM



SERVICE DOOR

CODE CODICE	H (mm)
06SPP101 15081	150
06SPP102* 15082	500
06SPP103 15083	1000

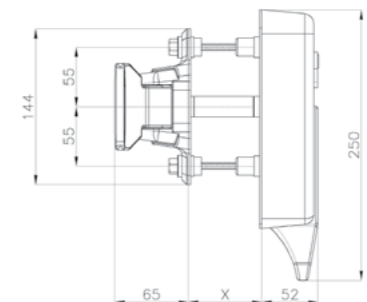
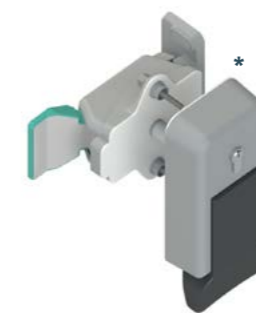
PVC BUMPER FOR TO & FRO
PARACOLPI IN PVC PER VA E VIENI
PROTECTOR EN PVC PARA VAIVÉN
PROTÈGE-COUDE EN PVC POUR PORTE VA ET VIENT
PVC STOSSFÄNGER FÜR PENDELTÜREN



TO & FRO

CODE CODICE	X (mm)	LOCK / SERRATURA CERRADURA / SERRURE SCHLUSS	MTH LOGO	DOOR MODELS MODELLI PORTA
13KIT500	60	●	●	—
13KIT501		●	●	
13KIT517	68	●	●	500 TN 540 TN GV 5
13KIT502*		●	●	
13KIT503		●	●	
13KIT504	80	●	●	—
13KIT505		●	●	
13KIT519	92	●	●	603 LWT
13KIT506		●	●	
13KIT507		●	●	
13KIT515	100	●	●	—
13KIT508		●	●	
13KIT509		●	●	
13KIT516	121	●	●	604 LWT 740 LWT 745 LWT
13KIT510		●	●	
13KIT511		●	●	
13KIT518	193	●	●	500 TN 604 LWT 540 TN 740 LWT GV 5 745 LWT 603 LWT 750 LWT
13KIT512		●	●	
13KIT513		●	●	

HANDLE SET INTERNAL/EXTERNAL CSI MTH
GREY RAL7004
KIT MANIGLIA INTERNA/ESTERNA CSI MTH
GRIGIO RAL7004
KIT MANIJA INTERNA/EXTERNA CSI MTH GRIS RAL7004
KIT POIGNEE INTERNE/EXTERNE CSI MTH GRIS RAL7004
KIT GRIFF INNEN/AUSSEN CSI MTH GRAU RAL7004



13CLE056

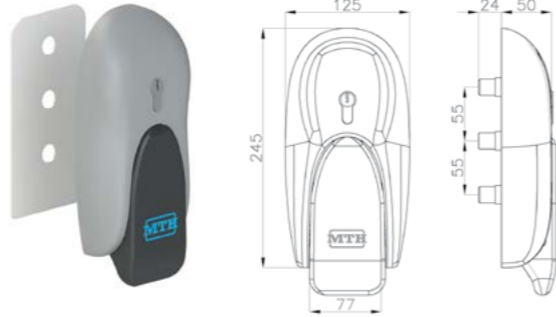
EXTERNAL HANDLE CSI MTH 2.0 GREY RAL7004/LEVA BLACK WITH LOCK AND LOGO MTH COMPLETE WITH FOAM TAPE

MANIGLIA ESTERNA CSI MTH 2.0 GRIGIO RAL7004/LEVA NERA CON SERRATURA E LOGO MTH COMPLETA DI MOUSSE

MANIJA EXTERNA CSI MTH 2.0 RAL7004 NEGRA CON CERRADURA CON LOGOTIPO CON MOUSSE

POIGNEE EXTERNE CSI MTH 2.0 GRIS RAL7004/LEVIER NOIR AVEC SERRURE E LOGO MTH COMPLÉTÉE DE MOUSSE

ÄUSSERER GRIFF CSI MTH 2.0 GRAU RAL7004/SCHWARZER HEBEL MIT SCHLOSS UND MTH LOGO KOMPLETT MIT UNTERLAGE



500 TN
540 TN
GV 5
603 LWT
604 LWT
740 LWT
745 LWT
750 LWT

CODE CODICE	LOCK / SERRATURA CERRADURA / SERRURE SCHLUSS	MTH LOGO
13CEC003* 13020	●	●
13CEC002 13020	●	●
13CES003 13019	●	●
13CES002 13019	●	●

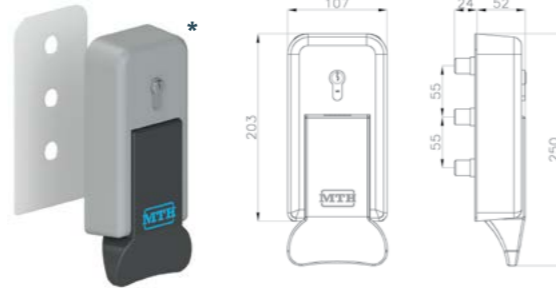
EXTERNAL HANDLE CSI MTH GREY RAL7004/LEVER BLACK WITH FOAM TAPE

MANIGLIA ESTERNA CSI MTH GRIGIO RAL7004/LEVA NERA COMPLETA DI MOUSSE

MANIJA EXTERNA CSI MTH RAL7004 NEGRA CON MOUSSE

POIGNEE EXTERNE CSI MTH GRIS RAL7004/LEVIER NOIR COMPLÉTÉE DE MOUSSE

AUSSENGRIFF CSI MTH GRAU RAL7004/SCHWARZER HEBEL MIT UNTERLAGE



500 TN
540 TN
GV 5
603 LWT
604 LWT
740 LWT
745 LWT
750 LWT

13CSC501

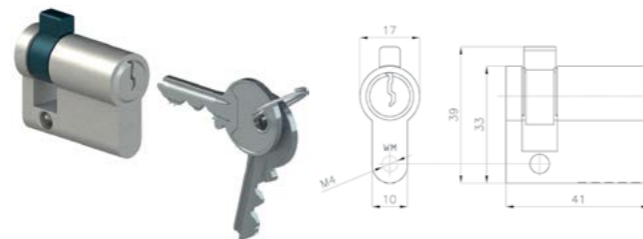
NICKEL-PLATED CYLINDER FOR HANDLE CSI MTH

CILINDRO NICHELATO PER MANIGLIA CSI MTH

CILINDRO NICHELATO L=40,5 PARA MANIJA EXTERNA CSI MTH

CYLINDRE NICKELÉ POUR POIGNEE CSI MTH

VERNICKELTER ZYLINDER FÜR GRIFF CSI MTH



500 TN
540 TN
GV 5
603 LWT
604 LWT
740 LWT
745 LWT
750 LWT

CODE CODICE	L (mm)	DOOR THK. PORTA SP. / PUERTA ESP. PORTE ÉPAIS. / TUR S. (mm)	DOOR MODELS MODELLI PORTA
25AST106 13065	106	60	—
25AST114 13066	114	68	500 TN, 540 TN, GV 5
25AST126*	126	80	—
25AST138 13067	138	92	603 LWT
25AST146 13068	146	100	—
25AST166 13069	166	121	604 LWT, 740 LWT, 745 LWT
25AST247 13070	247	UP TO 203	500 TN, 540 TN, GV 5, 603 LWT, 604 LWT 740 LWT, 745 LWT, 750 LWT

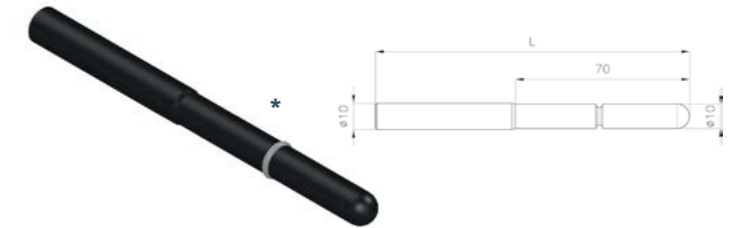
DRIVE STAFF FOR HANDLE CSI MTH

ASTA DI TRASMISSIONE PER MANIGLIA CSI MTH

BARRA DE TRANSMISIÓN MANIJA CSI MTH

HAMPE DE TRANSMISSION POUR POIGNEE CSI MTH

ÜBERTRAGUNG STANGE FÜR GRIFF CSI MTH



CODE CODICE	L (mm)	DOOR THK. PORTA SP. / PUERTA ESP. PORTE ÉPAIS. / TUR S. (mm)	DOOR MODELS MODELLI PORTA
25CAT045 13071	45	60	—
25CAT053 13072	55	68	500 TN, 540 TN, GV 5
25CAT050	66	80	—
25CAT077 13073	75	92	603 LWT
25CAT085 13074	85	100	—
25CAT105 13075	105	121	604 LWT, 740 LWT, 745 LWT
25CAT250* 13076	187	UP TO 203	500 TN, 540 TN, GV 5, 603 LWT, 604 LWT 740 LWT, 745 LWT, 750 LWT

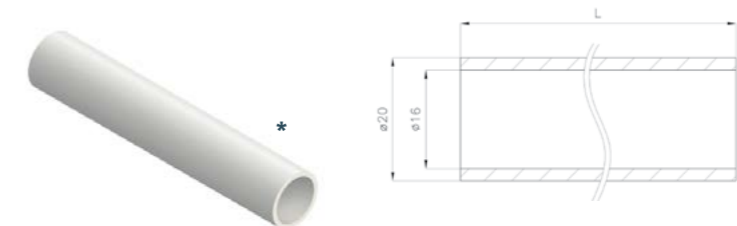
SLEEVE FOR HANDLE CSI MTH

CANOTTO PER MANIGLIA CSI MTH

TUBO PVC PARA MANIJA CSI MTH

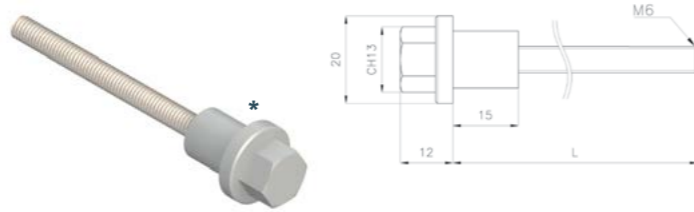
PVC RADEAU POUR POIGNEE CSI MTH

PVC SCHLAUCHBOOT FÜR GRIFF CSI MTH



CODE CODICE	L (mm)	DOOR THK. PORTA SP. / PUERTA ESP. PORTE ÉPAIS. / TUR S. (mm)	DOOR MODELS MODELLI PORTA
25TIR703	56	60	—
25TIR704	66	68	500 TN, 540 TN, GV 5
25TIR705*	76	80	—
25TIR706	86	92	603 LWT
25TIR707	96	100	—
25TIR708	116	121	604 LWT, 740 LWT, 745 LWT
25TIR711	198	UP TO 203	500 TN, 540 TN, GV 5, 603 LWT, 604 LWT, 740 LWT, 745 LWT, 750 LWT

TIE ROD FOR HANDLE CSI MTH GREY RAL7004
TIRANTE PER MANIGLIA CSI MTH GRIGIO RAL7004
TORNILLO CERRADURA CSI MTH RAL7004
TIRANT POUR POIGNEE CSI MTH GRIS RAL7004
LÄUFER FÜR GRIFF CSI MTH GRAU RAL7004

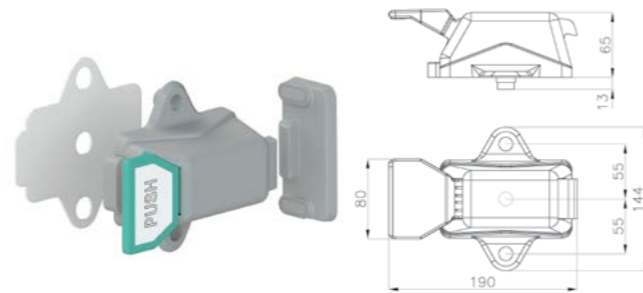


DOOR MODELS MODELLI PORTA

500 TN
540 TN
GV 5
603 LWT
604 LWT
740 LWT
745 LWT
750 LWT

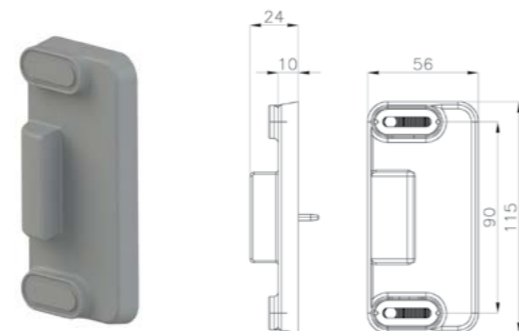
13CIN002 13030

INTERNAL HANDLE CSI MTH GREY RAL7004/LEVER GREEN COMPLETE WITH FOAM TAPE AND ADJUSTABLE STRIKER
MANIGLIA INTERNA CSI MTH GRIGIO RAL7004/LEVA VERDE COMPLETA DI MOUSSE E RISCONTRO REGOLABILE
MANIJA INTERNA CSI MTH RAL7004 VERDE CON MOUSSE CON APOYO AJUSTABLE
POIGNEE INTERNE CSI MTH GRIS RAL7004/LEVIER VERT COMPLÉTÉE DE MOUSSE E CROCHET RÉGLABLE
INNERER GRIFF CSI MTH GRAU RAL7004/GRÜNER HEBEL KOMPLETT MIT UNTERLAGE UND KLOBEN



13CSC700 15070

ADJUSTABLE STRIKER FOR INTERNAL HANDLE CSI MTH GREY RAL7004 COMPLETE WITH PLUGS
RISCONTRO REGOLABILE PER MANIGLIA INTERNA CSI MTH GRIGIO RAL7004 COMPLETO DI TAPPI
CANTONERA AJUSTABLE MANIJA INTERNA CSI MTH RAL7004 CON TAPONES
CROCHET RÉGLABLE POUR POIGNEE INTERNE CSI MTH GRIS RAL7004 COMPLÉTÉ DES BOUCHONS
KLOBEN FÜR INNEREN GRIFF CSI MTH GRAU RAL7004 KOMPLETT MIT PFROPFEN



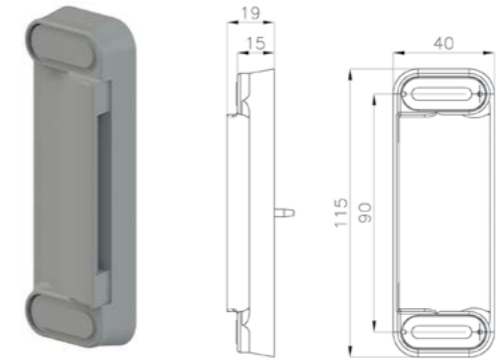
500 TN
540 TN
GV 5
603 LWT
604 LWT
740 LWT
745 LWT
750 LWT

DOOR MODELS MODELLI PORTA

TWO WINGS DOOR:
500 TN
GV 5
603 LWT
604 LWT
740 LWT
745 LWT
750 LWT

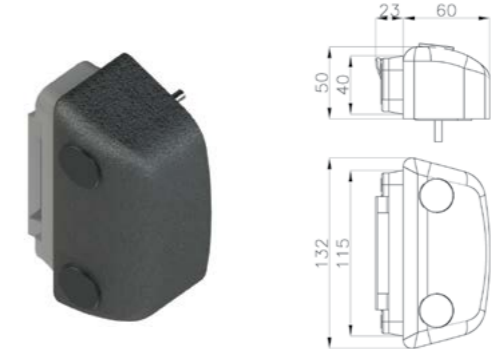
13CSC805 15040

ADJUSTABLE STRIKER H=40 FOR INTERNAL HANDLE CSI MTH GREY RAL7004 COMPLETE WITH PLUGS
RISCONTRO REGOLABILE H=40 PER MANIGLIA INTERNA CSI MTH GRIGIO RAL7004 COMPLETO DI TAPPI
APOYO AJUSTABLE ALT=40 MANIJA INTERNA CSI MTH RAL7004 CON TAPONES
CROCHET RÉGLABLE H=40 POUR POIGNEE INTERNE CSI MTH GRIS RAL7004 COMPLÉTÉ DES BOUCHONS
KLOBEN H=40 FÜR INNEREN GRIFF CSI MTH GRAU RAL7004 KOMPLETT MIT PFROPFEN



13KIT200

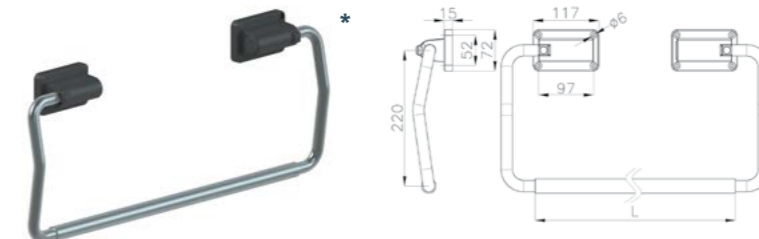
ADJUSTABLE STRIKER SET FOR INTERNAL HANDLE FOR DOUBLE-BLADED DOOR
KIT RISCONTRO REGOLABILE PER MANIGLIA INTERNA PER PORTA A DUE ANTE
KIT APOYO AJUSTABLE MANIJA INTERNA PUERTA A DOS BATIENTES
KIT CROCHET RÉGLABLE POUR POIGNEE INTERNE POUR PORTE A DEUX VANTAUX
KIT KLOBEN KOMPLETT FÜR INNEREN GRIFF FÜR ZWEIFLÜGELIGE DREHTÜREN



TWO WINGS DOOR:
500 TN
GV 5
603 LWT
604 LWT
740 LWT
745 LWT
750 LWT

CODE CODICE	L (mm)	DOOR ENTRY WIDTH LARGHEZZA VANO PORTA / ANCHO HOJA PUERTA LARGEUR COMPARTIMENT PORTE / TÜROFFNUNG BREITE (mm)
13AMF028 13024	280	600
13AMF038 13024	380	700
13AMF048 13024	480	800
13AMF058* 13024	580	900
13AMF068 13024	680	1000
13AMF078 13024	780	1100
13AMF088 13024	880	1200
13AMF098 13024	980	1300

PUSH BAR
MANIGLIONE A SPINTA
BARRA ANTIPÁNICO
BARRE A POUSSÉE
STOSSGRIFF



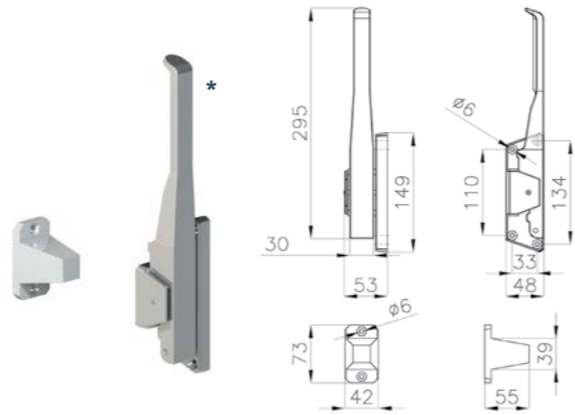
500 TN
540 TN
GV 5
603 LWT
604 LWT
740 LWT
745 LWT
750 LWT

CODE CODICE	OPENING APERTURA / ABERTURA OUVERTURE / ÖFFNUNG
----------------	---

130ZF500* Right / Destra / Derecho
Droit / Rechts

130ZF501 Left / Sinistra / Izquierda
Gauche / Links

EXTERNAL CHROME-PLATED BRASS HANDLE
WITH HOOK L=300 COMPLETE WITH STRIKER
MANIGLIA ESTERNA DI SGANCIO
IN OTTONE CROMATO L=300 COMPLETA DI RISCONTRO
MANIJA EXTERNA EN LATÓN CROMADO L=300 CON APOYO
POIGNEE EXTERNE DE DÉCLENCHEMENT
EN LAITON CHROMÉ L=300 COMPLÉTÉE DE CROCHET
ÄUSSERER VERCHROMTER HEBELVERSCHLUSS
FÜR ABWURF L=300 KOMPLETT MIT TÜRSCHLOSS



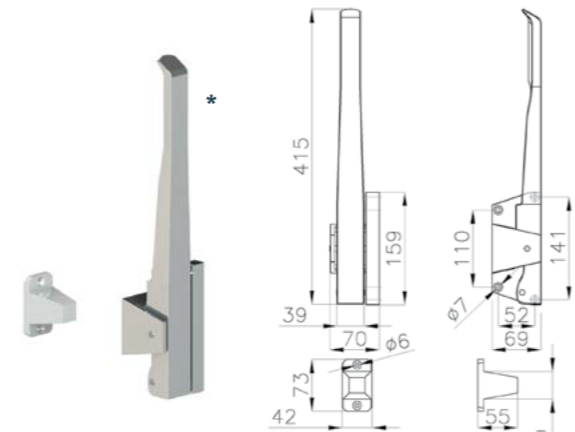
500 TN
603 LWT

CODE CODICE	OPENING APERTURA / ABERTURA OUVERTURE / ÖFFNUNG
----------------	---

130ZF502* Right / Destra / Derecho
Droit / Rechts

130ZF503 Left / Sinistra / Izquierda
Gauche / Links

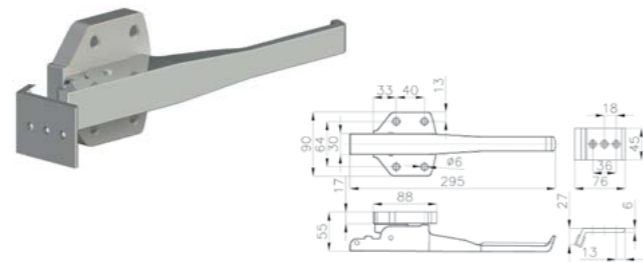
EXTERNAL CHROME-PLATED BRASS HANDLE
WITH HOOK L=400 COMPLETE WITH STRIKER
MANIGLIA ESTERNA DI SGANCIO
IN OTTONE CROMATO L=400 COMPLETA DI RISCONTRO
MANIJA EXTERNA EN LATÓN CROMADO L=400 CON APOYO
POIGNEE EXTERNE DE DÉCLENCHEMENT
EN LAITON CHROMÉ L=400 COMPLÉTÉE DE CROCHET
ÄUSSERER VERCHROMTER HEBELVERSCHLUSS
FÜR ABWURF L=400 MIT TÜRSCHLOSS



604 LWT
740 LWT
745 LWT
750 LWT

130ZF600

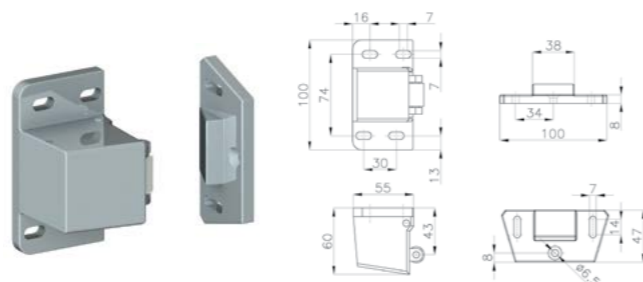
INTERNAL CHROME-PLATED BRASS HANDLE
WITH HOOK COMPLETE WITH STRIKER
MANIGLIA INTERNA DI SGANCIO IN OTTONE CROMATO
COMPLETA DI RISCONTRO
MANIJA INTERNA EN LATÓN CROMADO
COMPLETA DE APOYO
POIGNEE INTERNE DE DÉCLENCHEMENT
EN LAITON CHROMÉ COMPLÉTÉE DE CROCHET
INNERER VERCHROMTER HEBELVERSCHLUSS
FÜR ABWURF KOMPLETT MIT TÜRSCHLOSS



500 TN
603 LWT
604 LWT
740 LWT
745 LWT
750 LWT

130ZF400

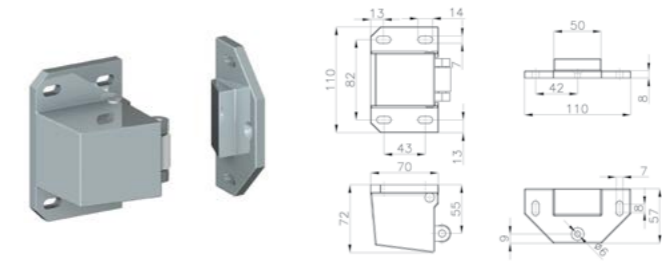
LITTLE CHROME-PLATED BRASS LATCH
COMPLETE WITH STRIKE PLATE
SCROCCO PICCOLO IN OTTONE CROMATO
COMPLETO DI PIASTRA DI RISCONTRO
SCROCCO PEQUEÑO EN LATÓN CROMADO
CON PLACA DE APOYO
DECLIC PETIT EN LAITON CHROMÉ
COMPLÉTÉE DE PLAQUE DE CROCHET
KLEINER VERCHROMTER KLOBEN KOMPLETT
MIT TÜRSCHLOSS PLATTE



500 TN
603 LWT

130ZF401

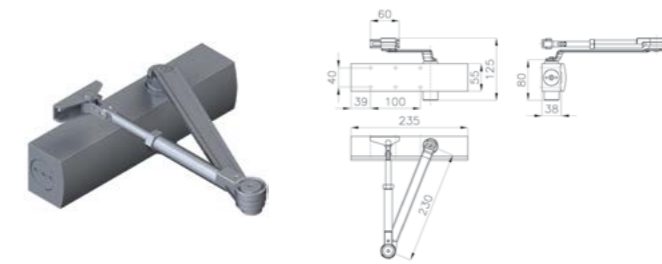
BIG CHROME-PLATED BRASS LATCH
COMPLETE WITH STRIKE PLATE
SCROCCO GRANDE IN OTTONE CROMATO
COMPLETO DI PIASTRA DI RISCONTRO
SCROCCO GRANDE EN LATÓN CROMADO
CON PLACA DE APOYO
DECLIC GRAND EN LAITON CHROMÉ
COMPLÉTÉE DE PLAQUE DE CROCHET
GROSSER VERCHROMTER KLOBEN KOMPLETT
MIT TÜRSCHLOSS PLATTE



604 LWT
740 LWT
745 LWT
750 LWT

13ALT152

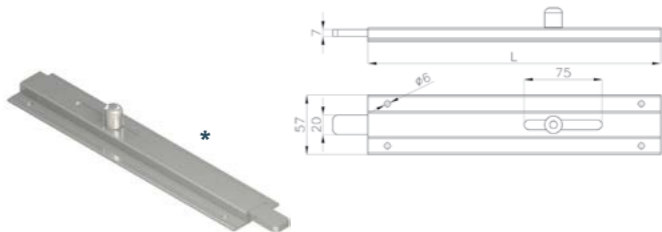
DOOR CLOSER WITH ADJUSTABLE CLOSING
FORCE SILVER COMPLETE WITH ARM FOR BIG DOORS
CHIUDIPIORTA AEREO CON FORZA REGOLABILE
PER PORTA GRANDE COLORE ARGENTO
COMPLETO DI BRACCIO
BRAZO CIERRE PUERTA, FUERZA AJUSTABLE
CON BRAZO
FERME-PORTE AVEC FORCE RÉGLABLE POUR
PORTE GRANDE GRIS ARGENT COMPLÉTÉE DE BRAS
OBERTÜRSCHLIESSER FÜR GROSSE TÜR FARBE
SILBER KOMPLETT MIT ARM



500 TN
540 TN
603 LWT
604 LWT
740 LWT
745 LWT
750 LWT

CODE CODICE	L (mm)
13FEI003* 13091	300
13FEI004 13092	400
13FEI006 13093	600
13FEI008 13094	800

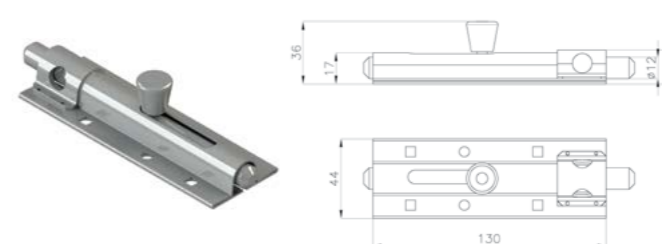
STAINLESS STEEL BLOCKING BAR
PALETTO DI BLOCCO INOX
PALO DE BLOQUE INOX
PIEU DE BLOC INOX
EDELSTAHL BLOCK RIEGEL



ALL MODELS

13FEI101 13098

STAINLESS STEEL LATCH Ø 12
CHIAVISTELLO INOX Ø 12
CERROJO INOX Ø 12
LOQUET INOX Ø 12
EDELSTAHL SCHIEBER Ø 12



ALL MODELS

CODE CODICE	A (mm)	B (mm)	C (mm)	L (mm)	DOOR THK. PORTA SP. / PUERTA ESP. PORTE ÉPAIS. / TÜR S. (mm)	DOOR MODELS MODELLI PORTA
13SEF046	58	30	145	551	68	480 PGV, 480 PT
13SEF048*	72	40	152		92-151	450 GV, 480 ATMC, 480 TN, 480 LT 480 LTB, 480 LWT, 485 LWT, 490 LWT
13SEF049				870		

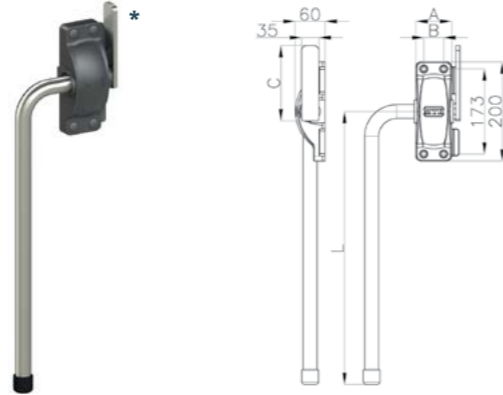
REVERSIBLE EXTERNAL LEVER HANDLE WITH LOGO MTH
COMPLETE WITH PLUGS FOR SLIDING DOOR

MANIGLIA ESTERNA A LEVA REVERSIBILE CON LOGO MTH
COMPLETA DI TAPPI PER PORTA SCORREVOLE

MANIJA EXTERNA PALANCA CON LOGOTIPO
CON TAPONES PUERTA CORREDERA

POIGNEE EXTERNE A LEVIER REVERSIBLE AVEC LOGO MTH
COMPLÉTÉE DE BOUCHON POUR PORTE COULISSANTE

AUSSENGRIFF MIT HEBEL MIT MTH LOGO KOMPLETT
MIT PFROPFEN FÜR SCHIEBETÜR



CODE CODICE	A (mm)	B (mm)	L (mm)	DOOR THK. PORTA SP. / PUERTA ESP. PORTE ÉPAIS. / TÜR S. (mm)	DOOR MODELS MODELLI PORTA
13SEF042 13057	67	40	870	92	450 GV, 480 ATMC, 480 TN, 480 LT
13SEF031* 13056	93	65	551	121-151	480 LTB, 480 LWT, 485 LWT, 490 LWT
13SEF032 13053			870		

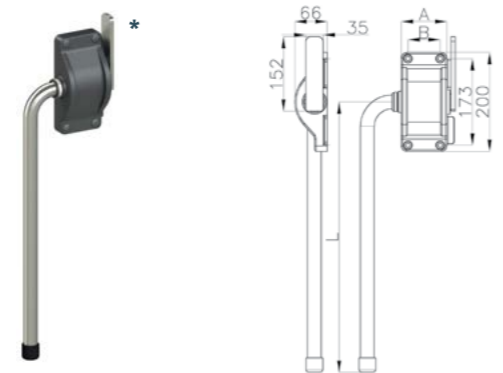
REVERSIBLE EXTERNAL LEVER HANDLE
COMPLETE WITH PLUGS FOR SLIDING DOOR

MANIGLIA ESTERNA A LEVA REVERSIBILE
COMPLETA DI TAPPI PER PORTA SCORREVOLE

MANIJA EXTERNA PALANCA
CON TAPONES PUERTA CORREDERA

POIGNEE EXTERNE A LEVIER REVERSIBLE
COMPLÉTÉE DE BOUCHON POUR PORTE COULISSANTE

AUSSENGRIFF MIT UMKEHRBAREM HEBEL KOMPLETT
MIT PFROPFEN FÜR SCHIEBETÜR



13SAE201 15057

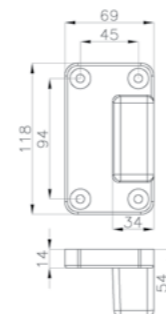
PLASTIC STRIKER FOR EXTERNAL LEVER HANDLE
COMPLETE WITH PLUGS

RISCONTRO IN PLASTICA PER MANIGLIA
A LEVA ESTERNA COMPLETO DI TAPPI

APOYO EN PLÁSTICO PARA MANIJA
DE PALANCA EXTERNA CON TAPONES

CROCHET EN PLASTIQUE POUR POIGNEE
A LEVIER EXTERNE COMPLÉTÉ DE BOUCHON

KUNSTSTOFF KLOBEN FÜR AUSSENGRIFF
MIT HEBEL KOMPLETT MIT PFROPFEN



DOOR MODELS MODELLI PORTA

490 LWT

DOOR MODELS MODELLI PORTA

360 FLS
450 GV
480 PGV
480 PT
480 TN
480 LT
480 LTB
480 LWT
485 LWT

13SAE202 15056

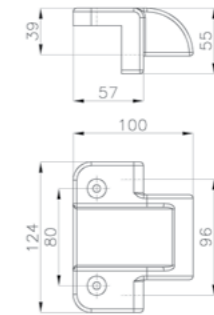
PLASTIC STRIKER FOR EXTERNAL LEVER HANDLE
COMPLETE WITH PLUGS

RISCONTRO IN PLASTICA PER MANIGLIA A LEVA ESTERNA
COMPLETO DI TAPPI

APOYO EN PLÁSTICO PARA MANIJA DE PALANCA EXTERNA
CON TAPONES

CROCHET EN PLASTIQUE POUR POIGNEE A LEVIER EXTERNE
COMPLÉTÉ DE BOUCHON

KUNSTSTOFF KLOBEN FÜR AUSSENGRIFF
MIT HEBEL KOMPLETT MIT PFROPFEN



CODE CODICE	OPENING APERTURA / ABERTURA OUVERTURE / ÖFFNUNG
-------------	---

13SIF001* 13050

Right / Destra / Derecho
Droit / Rechts

13SIF002 13051

Left / Sinistra / Izquierda
Gauche / Links

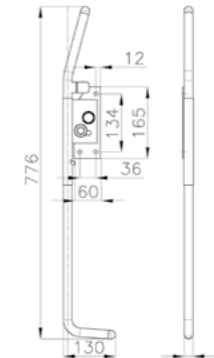
INTERNAL STAINLESS STEEL LEVER HANDLE
FOR SLIDING DOOR COMPLETE WITH STRIKER

MANIGLIA INTERNA A LEVA INOX
PER PORTA SCORREVOLE COMPLETA DI RISCONTRO

MANIJA INTERNA PALANCA INOX
PUERTA CORREDERA CON APOYO

POIGNEE INTERNE A LEVIER INOX
POUR PORTE COULISSANTE COMPLÉTÉE DE CROCHET

INNENGRIF MIT EDELSTAHL HEBEL
FÜR SCHIEBETÜR KOMPLETT MIT TÜRSCHLOSS



450 GV
480 PGV
480 ATMC
480 PT
480 TN
480 LT
480 LTB
480 LWT
485 LWT
490 LWT

13SAI002

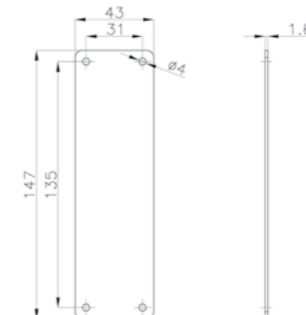
STRIKER FOR INTERNAL STAINLESS STEEL LEVER HANDLE

RISCONTRO PER MANIGLIA INTERNA A LEVA INOX

APOYO EN INOX PARA MANIJA PALANCA INTERNA

RISCONTRO PER MANIGLIA INTERNA A LEVA INOX

TÜRSCHLOSS FÜR INNEREN GRIFF MIT EDELSTAHL HEBEL



450 GV
480 PGV
480 ATMC
480 PT
480 TN
480 LT
480 LTB
480 LWT
485 LWT
490 LWT

CODE CODICE	OPENING APERTURA / ABERTURA OUVERTURE / ÖFFNUNG	DOOR MODELS MODELLI PORTA
-------------	---	------------------------------

30ETI007

Right / Destra / Derecho
Droit / Rechts

WITH 13SIF001 13050

30ETI006*

Left / Sinistra / Izquierda
Gauche / Links

WITH 13SIF002 13051

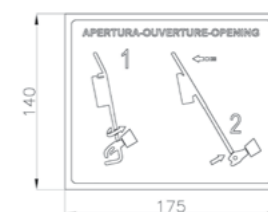
FLUORESCENT PVC LABEL
FOR INTERNAL LEVER HANDLE FOR DOOR

ETICHETTA IN PVC FLUORESCENTE
PER MANIGLIA INTERNA A LEVA PER PORTA

ETIQUETA PVC FLUORESCENTE MANIJA INTERNA PALANCA

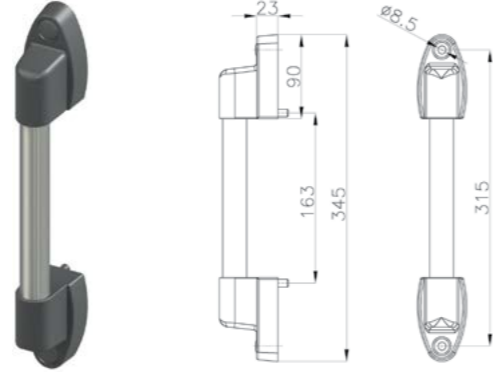
ÉTIQUETTE EN PVC FLUORESCENTE
POUR POIGNEE INTERNE A LEVIER POUR PORTE

PVC-ETIKETT FLUORESZIEREND FÜR INNENGRIF
MIT HEBEL FÜR TÜR



13SEF071 13089

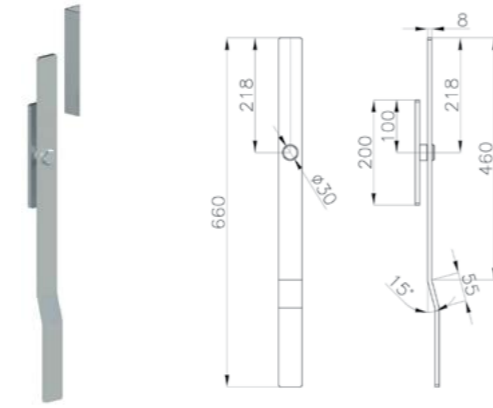
EXTERNAL FIXED HANDLE IN FACCIATA WITH STAINLESS STEEL TUBE COMPLETE WITH PLUGS
MANIGLIA ESTERNA FISSA IN FACCIATA CON TUBOLARE INOX COMPLETA DI TAPPI
MANIJA EXTERNA FIJA FRONTAL CON TUBULAR INOX CON TAPONES
POIGNEE EXTERNE FIXE EN FAÇADE AVEC TUBULAIRE INOX COMPLÉTÉE DE BOUCHON
FESTER AUSSENGRIF AN FASSADE MIT EDELSTAHL ROHR KOMPLETT MIT PFROPFEN



480 PT 2W
480 TN 2W
480 LT 2W
480 LTB 2W
480 LWT 2W
VERTICAL TN
VERTICAL LWT
ALL AUTOMATIC
SLIDING DOORS

13SEF022 13086

REVERSIBLE EXTERNAL LEVER HANDLE L=660 FOR DOUBLE-BLADED SLIDING DOORS COMPLETE WITH STRIKER
MANIGLIA ESTERNA A LEVA L=660 REVERSIBILE PER PORTE SCORREVOLI A DUE ANTE COMPLETA DI RISCONTRO
MANIJA EXTERNA PALANCA L=660 PUERTAS CORREDERAS DOS BATIENTES CON APOYO
POIGNEE EXTERNE A LEVIER L=660 REVERSIBLE POUR PORTE COULISSANTE A DEUX VANTAUX COMPLÉTÉE DE CROCHET
AUSSENGRIF MIT UMKEHRBAREM HEBEL L=660 FÜR SCHIEBETÜREN MIT DOPPELFLÜGELN



480 PT 2W
480 TN 2W
480 LT 2W
480 LTB 2W
480 LWT 2W

CODE CODICE

OPENING APERTURA / ABERTURA OUVERTURE / OFFNUNG

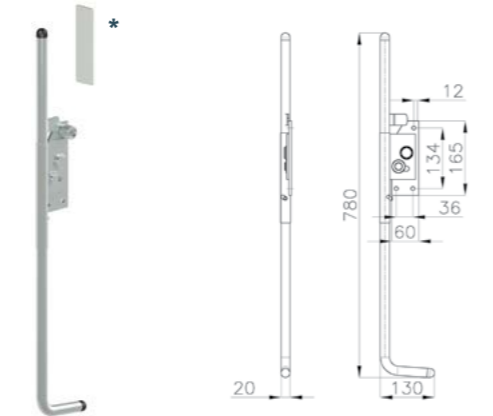
13SIF101* 13087

Right / Destra / Derecho
Droit / Rechts

13SIF102 13088

Left / Sinistra / Izquierda
Gauche / Links

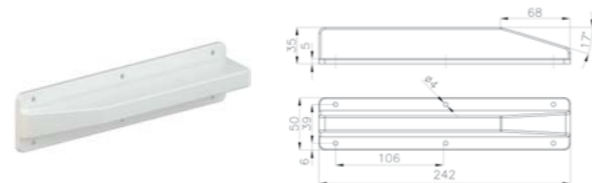
INTERNAL STAINLESS STEEL LEVER HANDLE FOR DOUBLE-BLADED SLIDING DOOR COMPLETE WITH STRIKER
MANIGLIA INTERNA A LEVA INOX PER PORTA SCORREVOLE A DUE ANTE COMPLETA DI RISCONTRO
MANIJA INTERNA PALANCA INOX PUERTA CORREDERA DOS BATIENTES
POIGNEE INTERNE A LEVIER INOX POUR PORTE COULISSANTE A DEUX VANTAUX COMPLÉTÉE DE CROCHET
INNENGRIF MIT EDELSTAHL HEBEL FÜR DOPPELFLÜGEL SCHIEBETÜR



480 PT 2W
480 TN 2W
480 LT 2W
480 LTB 2W
480 LWT 2W

24ACU001 15052

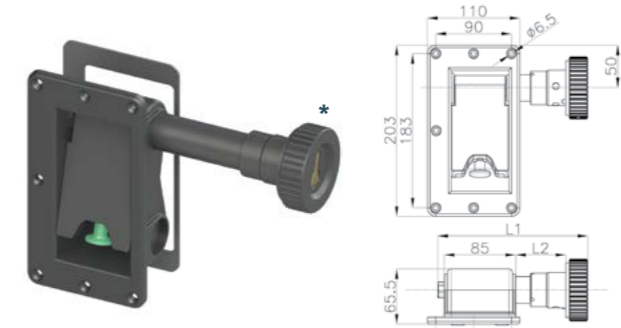
NYLON WEDGE H=35 FOR SLIDING DOOR
CUNEO IN NYLON H=35 PER PORTE SCORREVOLI
CUÑA EN NYLON ALT=35 PARA PUERTA CORREDERA
CALE EN NYLON H=35 POUR PORTE COULISSANTE
NYLON KEIL H=35 FÜR SCHIEBETÜREN



450 GV
480 PGV
480 ATMC
480 PT
480 TN
480 LT
480 LTB
480 LWT
485 LWT
490 LWT

CODE CODICE	L1 (mm)	L2 (mm)	MICROSWITCH / MICROINTERRUTTORE MICROINTERRUPTOR MICRO-INTERRUPTEUR / MIKROSCHALTER	DOOR MODELS MODELLI PORTA
13NQF004 13102	163	44,5	●	360 LS, 360 FLS, 450 GV, 480 PGV, 480 PT, 480 TN, 480 LT
13NQF101 20069	163	44,5	●	PLCL/PLCE: 450 GV, 480 PGV, 480 PT, 480 TN, 480 LT
13NQF003 13101	178	59,5	●	480 ST
13NQF002 13100	204	85	●	480 LWT, 485 LWT, 490 LWT
13NQF102 20069	204	85	●	PLCL/PLCE: 480 LWT, 485 LWT, 490 LWT
13NQF001* 13059	245	127	●	240 AM, 240 S AND SLIDING DOORS BEFORE YEAR 2003
13NQF103 20069	245	127	●	PLCL/PLCE: SLIDING DOORS BEFORE YEAR 2003

REVERSIBLE LOCK "ART. 94" FOR SLIDING DOOR
SERRATURA REVERSIBILE PER PORTA SCORREVOLE "ART. 94"
CERRADURA REVERSIBLE PARA PUERTA CORREDERA "ART. 94"
SERRURE REVERSIBLE POUR PORTE COULISSANTE "ART. 94"
UMKEHRBARER VERSCHLUSS FÜR SCHIEBETÜR "ART. 94"

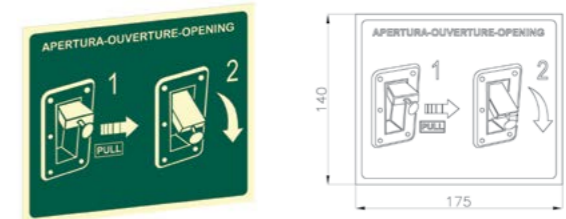


DOOR MODELS MODELLI PORTA

WITH
13NQF004 13102
13NQF101 20069
13NQF003 13101
13NQF104 20069
13NQF002 13100
13NQF102 20069
13NQF001 13059
13NQF103 20069

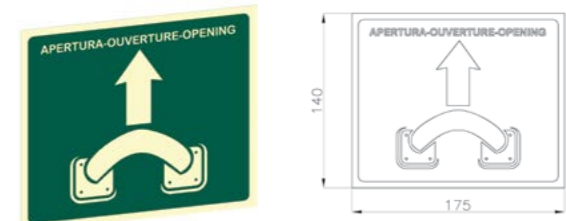
30ETI011

FLUORESCENT PVC LABEL FOR LOCK "ART. 94"
ETICHETTA IN PVC FLUORESCENTE PER SERRATURA "ART. 94"
ETIQUETA PVC FLUORESCENTE CERRADURA "ART. 94"
ÉTIQUETTE EN PVC FLUORESCENTE POUR SERRURE "ART. 94"
PVC-ETIKETT FLUORESZIEREND FÜR VERSCHLUSS "ART. 94"



30ETI010

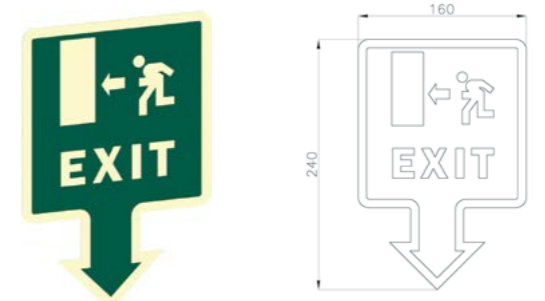
FLUORESCENT PVC LABEL FOR FIXED HANDLE FOR VERTICAL SLIDING DOOR
ETICHETTA IN PVC FLUORESCENTE PER MANIGLIA PER PORTA SCORREVOLE VERTICALE
ETIQUETA PVC FLUORESCENTE MANIJA PUERTA CORREDERA VERTICAL
ÉTIQUETTE EN PVC FLUORESCENTE POUR POIGNEE POUR PORTE COULISSANTE VERTICALE
PVC-ETIKETT FLUORESZIEREND FÜR GRIFF FÜR VERTIKALE SCHIEBETÜR



VERTICAL TN
VERTICAL LWT
WITH 13SIF301 13045

30ETI012

FLUORESCENT PVC LABEL "EXIT"
ETICHETTA IN PVC FLUORESCENTE "EXIT"
ETIQUETA PVC FLUORESCENTE "EXIT"
ÉTIQUETTE EN PVC FLUORESCENTE "SORTIE"
PVC-ETIKETT LUORESZZIEREND "EXIT"



ALL MODELS

● = WITH / CON / CON / AVEC / MIT ● = WITHOUT / SENZA / SIN / SANS / OHNE



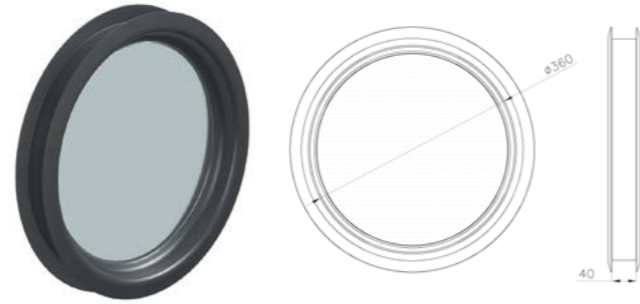
PORTHOLES AND INSULATED GLAZING

**OBLÒ E VETROCAMERE
MIRILLAS Y VIDRIOS AISLADOS
HOBLOTS ET VERRERES DOUBLES
FENSTER UND
ISOLIERVERGLASUNG**

TO & FRO
SERVICE DOOR

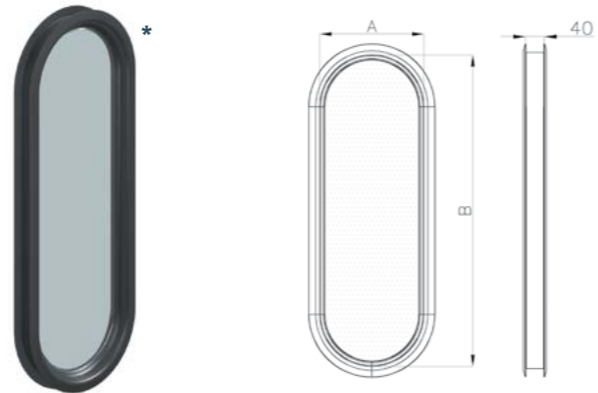
17OLO001
17012

CLEAR PET PORTHOLE THK=4 ROUND Ø 380
WITH GASKET AND TENSIONER FOR DOOR THK=40
OBLÒ IN PET TRASPARENTE SP=4 ROTONDO Ø 380
CON GUARNIZIONE E TENDITORE PER PORTA SP=40
HOJA EN PET TRANSPARENTE ESP=4 REDONDO Ø 380
CON BURLETE E TENSORES PARA PUERTA ESP=40
HUBLOT EN PET TRANSPARENT SP=4 ROND Ø 380
COMPLÉTÉ DE JOINT ET TENDEUR POUR PORTE EP=40
BULLAUGE AUS PET TRANSPARENT S=4 RUND Ø 380
KOMPLETT MIT DICHTUNG UND SPANNER
FÜR TÜR STÄRKE=40



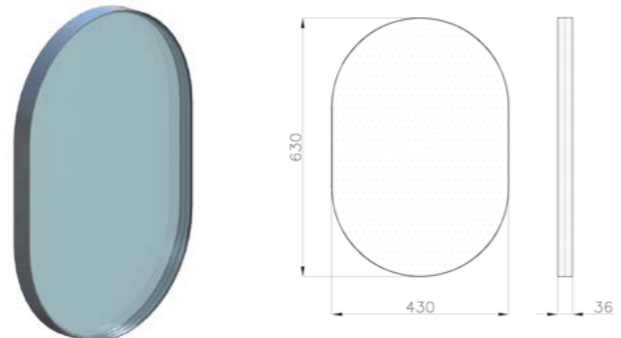
CODE CODICE	A (mm)	B (mm)
17OLR001* 17013	250	750
17OLR002 17014	400	600

CLEAR PET PORTHOLE THK=4 OVAL
WITH GASKET AND TENSIONER FOR DOOR THK=40
OBLÒ IN PET TRASPARENTE SP=4 OVALE
CON GUARNIZIONE E TENDITORE PER PORTA SP=40
HOJA EN PET TRANSPARENTE ESP=4 OVAL
CON BURLETE Y TENSORES PARA PUERTA ESP=40
HUBLOT EN PET TRANSPARENT SP=4 OVALE COMPLÉTÉ
DE JOINT ET TENDEUR POUR PORTE EP=40
BULLAUGE AUS PET TRANSPARENT S=4
RUND KOMPLETT MIT DICHTUNG UND SPANNER
FÜR TÜR STÄRKE=40



17VEA001
17015

TRIPLE GLAZING 4/12/4/12/4 OVAL 430X630
VETRO DOPPIA CAMERA 4/12/4/12/4 OVALE 430X630
CRISTAL TRIPLE AISLADO 4/12/4/12/4 OVAL 430X630
VERRE DOUBLE 4/12/4/12/4 OVALE 430X630
DREIFACHVERGLASUNG 4/12/4/12/4 OVAL 430X630

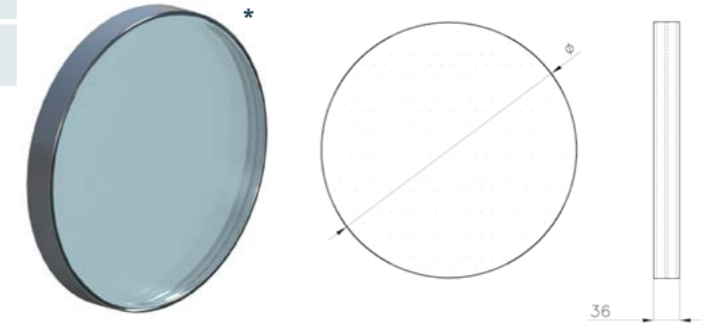


500 TN
540 TN
GV 5
603 LWT
240 AM
240 S
360 LS
360 FLS
480 PGV
480 ST
480 PT
480 TN
480 LT

500 TN
540 TN
GV 5
603 LWT
240 AM
240 S
360 LS
360 FLS
450 GV
480 PGV
480 ST
480 PT
480 TN
480 LT

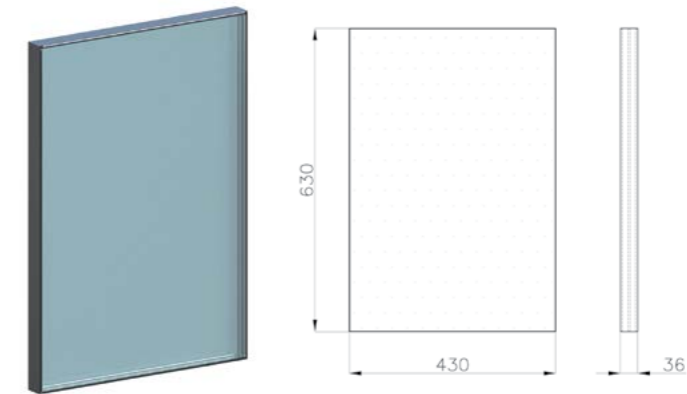
CODE CODICE	Ø (mm)
17VE0001* 17016	350
17VE0002 17017	450

TRIPLE GLAZING 4/12/4/12/4 ROUND
VETRO DOPPIA CAMERA 4/12/4/12/4 ROTONDO
CRISTAL TRIPLE AISLADO 4/12/4/12/4 REDONDO
VERRE DOUBLE 4/12/4/12/4 ROND
DREIFACHVERGLASUNG 4/12/4/12/4 RUND



17VER001

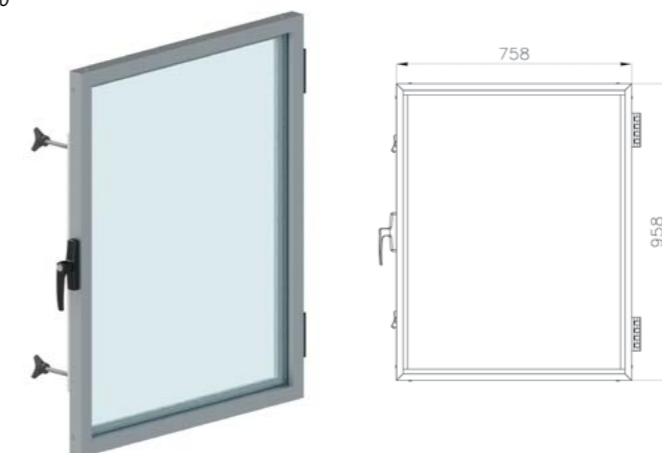
TRIPLE GLAZING 4/12/4/12/4 RECTANGULAR 430X630
VETRO DOPPIA CAMERA 4/12/4/12/4 RETTANGOLARE
430X630
CRISTAL TRIPLE AISLADO 4/12/4/12/4 RECTANGULAR
430X630
VERRE DOUBLE 4/12/4/12/4 RECTANGULAIRE 430X630
DREIFACHVERGLASUNG 4/12/4/12/4 RECHTECKIG
430X630



500 TN
540 TN
GV 5
603 LWT
240 AM
240 S
360 LS
360 FLS
450 GV
480 PGV
480 ST
480 TN
480 LT

22SPO300

COMPLETE OPENING GLAZED PORTHOLE 600X800
FOR ATMC DOOR
SPORTELLLO VETRATO COMPLETO 600X800
PER PORTA ATMC
PORTEZUELA DE CRISTAL COMPLETO 600X800
PARA PUERTA ATMC
HUBLOT VITRE OUVRANT INTÉGRAL 600X800
POUR PORTE ATMC
FENSTER KOMPLETT ÖFFNEND 600X800
FÜR TÜR ATMC



480 ATMC

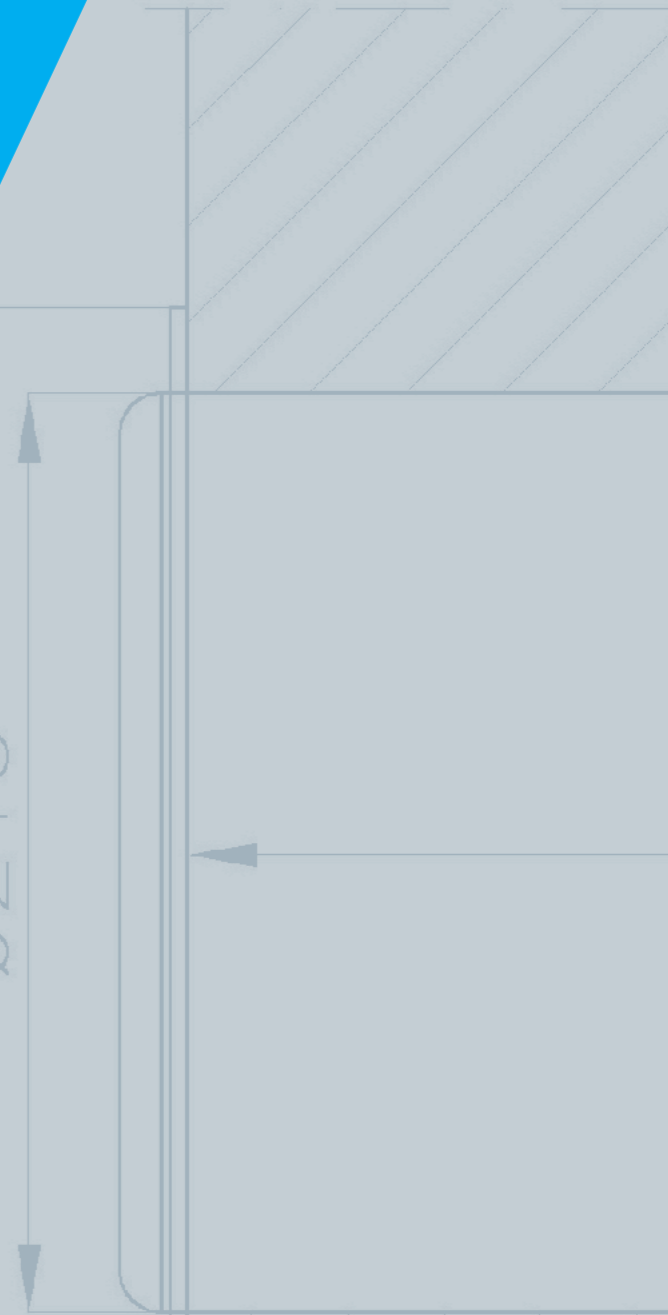


PRESSURE COMPENSATION VALVES

VALVOLE DI COMPENSAZIONE
VÁLVULAS DE EQUILIBRADO
DE PRESIONES
SOUPAPES DE COMPENSATION
DRUCKAUSGLEICHVENTILE

ø255

ø215



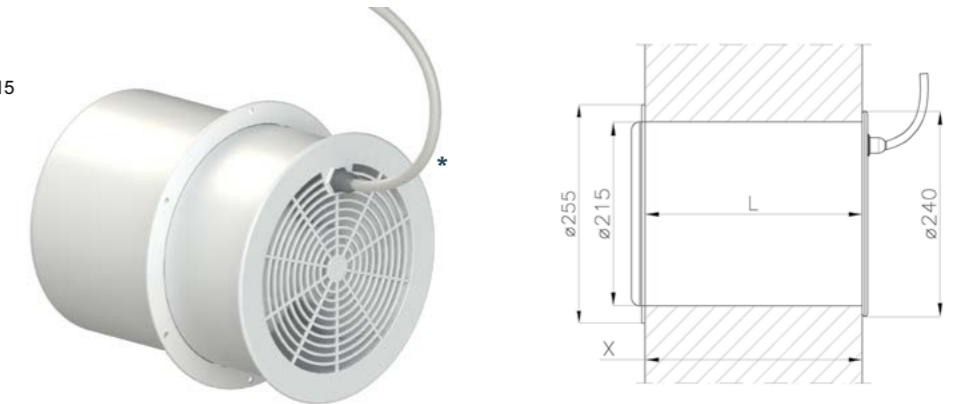
CODE CODICE	T _{op} (°C)	INSTALLATION INSTALLAZIONE	L (mm)	X (mm)	HEATING CABLE RESISTENZA / RESISTENCIA CABLE DE CHAUFFAGE HEIZKABEL	V (m ³)
19VAL001 15015	Up to -40°C	H/V	60-120	60-120	✓	2-80

PRESSURE COMPENSATION VALVE Ø=100
VALVOLA DI COMPENSAZIONE Ø=100
VALVULA DE EQUILBRADO DE PRESIONES Ø=100
SOUPAPE DE COMPENSATION Ø=100
DRUCKAUSGLEICHSVENTIL Ø=100



CODE CODICE	T _{op} (°C)	INSTALLATION INSTALLAZIONE	L (mm)	X max (mm)	HEATING CABLE RESISTENZA / RESISTENCIA CABLE DE CHAUFFAGE HEIZKABEL
19VAL012	Positive (up to +1°C)	H	260	250	✗
19VAL018*	Negative (up to -30°C)				✓
19VAL019	Positive (up to +1°C)	V	260	250	✗
19VAL020	Negative (up to -30°C)				✓

PRESSURE COMPENSATION VALVE Ø=215
VALVOLA DI COMPENSAZIONE Ø=215
VALVULA DE EQUILBRADO DE PRESIONES Ø=215
SOUPAPE DE COMPENSATION Ø=215
DRUCKAUSGLEICHSVENTIL Ø=215



CODE CODICE	T _{op} (°C)	INSTALLATION INSTALLAZIONE	L (mm)	X max (mm)	HEATING CABLE RESISTENZA / RESISTENCIA CABLE DE CHAUFFAGE HEIZKABEL
19VAL003	Positive (up to +1°C)	H	67	60	✗
19VAL004*	Negative (up to -30°C)	H	74	70	✓

PRESSURE COMPENSATION VALVE Ø=61
VALVOLA DI COMPENSAZIONE Ø=61
VALVULA DE EQUILBRADO DE PRESIONES Ø=61
SOUPAPE DE COMPENSATION Ø=61
DRUCKAUSGLEICHSVENTIL Ø=61

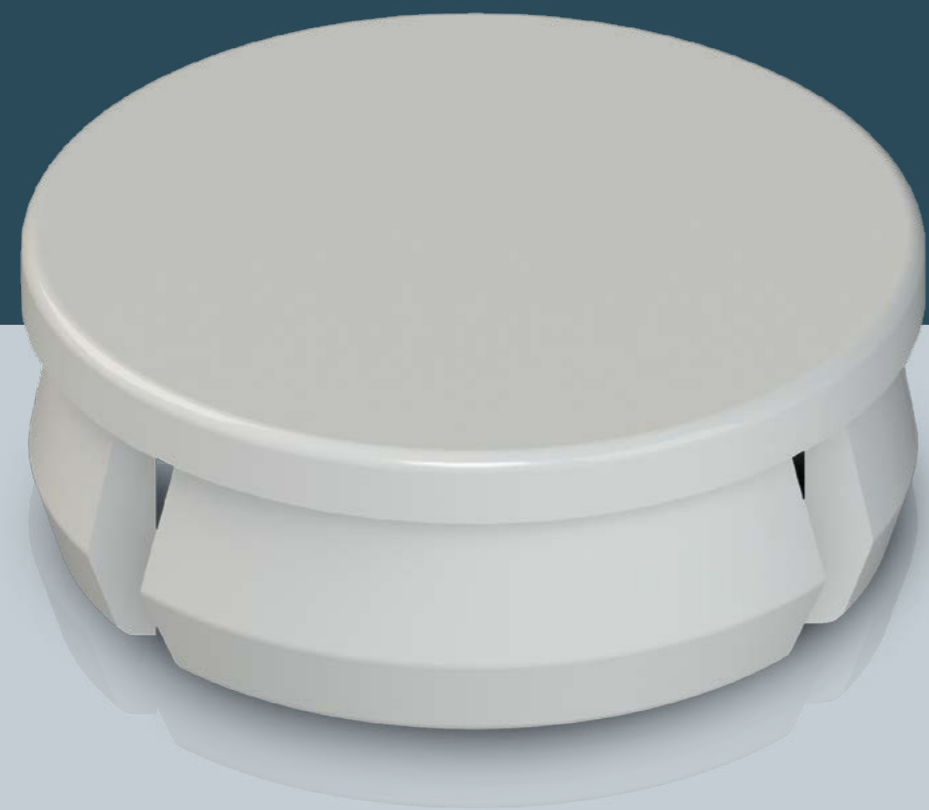


MAXIMUM COLD-ROOM VOLUME PER VALVE (Δt=1)

CODE CODICE	T _{op} =10°C	T _{op} =1°C	T _{op} =0°C	T _{op} =30°C
19VAL003	60 (m ³)	90 (m ³)	—	—
19VAL019	385 (m ³)	550 (m ³)	—	—
19VAL012	1170 (m ³)	1680 (m ³)	—	—
19VAL004	—	—	50 (m ³)	60 (m ³)
19VAL020	—	—	300 (m ³)	385 (m ³)
19VAL018	—	—	460 (m ³)	580 (m ³)

H= HORIZONTAL INTALLATION / MONTAGGIO ORIZZONTALE / MONTAJE HORIZONTAL / MONTAGE HORIZONTAL / HORIZONTAL MONTAGE
V= VERTICAL INSTALLATION / MONTAGGIO VERTICALE / MONTAJE VERTICAL / MONTAGE VERTICAL / VERTIKALE MONTAGE
T_{op}= OPERATIVE TEMPERATURE / TEMPERATURA OPERATIVA / TEMPERATURA OPERATIVA / TEMPÉRATURE OPÉRATIONNELLE / BETRIEBSTEMPERATUR
X= PANEL / PANNELLO / PANEL / PANNEAU / PLATTE

H= HORIZONTAL INTALLATION / MONTAGGIO ORIZZONTALE / MONTAJE HORIZONTAL / MONTAGE HORIZONTAL / HORIZONTAL MONTAGE
V= VERTICAL INSTALLATION / MONTAGGIO VERTICALE / MONTAJE VERTICAL / MONTAGE VERTICAL / VERTIKALE MONTAGE
T_{op}= OPERATIVE TEMPERATURE / TEMPERATURA OPERATIVA / TEMPERATURA OPERATIVA / TEMPÉRATURE OPÉRATIONNELLE / BETRIEBSTEMPERATUR
ΔT= MAXIMUM TEMPERATURE VARIATION IN °C THAT HAPPENS INSIDE THE COLD-ROOM IN ONE MINUTE
VARIAZIONE MASSIMA DELLA TEMPERATURA ESPRESSA IN °C CHE SI VERIFICA ALL'INTERNO DELLA CELLA IN UN MINUTO
MÁXIMA VARIACIÓN DE TEMPERATURA EN °C QUE OCURRE DENTRO DE LA CÁMARA FRIGORÍFICA EN UN MINUTO
VARIATION DE TEMPÉRATURE MAXIMALE EN °C QUI SE PRODUIT DANS LA CHAMBRE FROIDE EN UNE MINUTE
MAXIMALE TEMPERATURSCHWANKUNG IN °C, DIE IM INNEREN DES KÜHLRAUMS IN EINER MINUTE GESCHIEHT
X= PANEL / PANNELLO / PANEL / PANNEAU / PLATTE



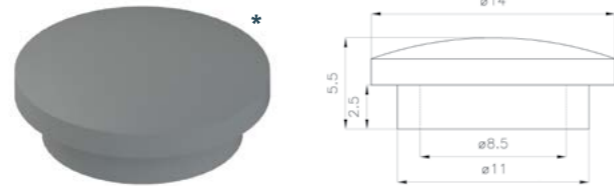
PLUGS

TAPPI
TAPAS
BOUCHONS
PFROPFEN



CODE CODICE	COLOUR / COLORE COLOR / COULEUR FARBE
15EGO001* 15065	Grey / Grigio / Gris Gris / Grau Ral7004
15ENO001 15065	Black / Nero / Negro Noir / Schwarz

PLUG Ø 11
TAPPO Ø 11
TAPA Ø 11
BOUCHON Ø 11
PFROPFEN Ø 11



SERVICE DOOR
(15EG0001)
500 TN
GV 5
603 LWT
604 LWT
740 LWT
745 LWT
750 LWT

CODE CODICE	COLOUR / COLORE COLOR / COULEUR FARBE
15CPR021 15061	White / Bianco / Blanco Blanc / Weiß
15CPR022* 15061	Grey / Grigio / Gris Gris / Grau Ral7004

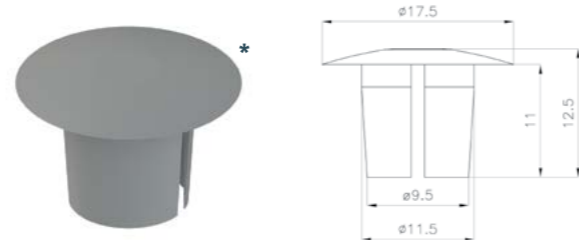
PLUG Ø 22
TAPPO Ø 22
TAPA Ø 22
BOUCHON Ø 22
PFROPFEN Ø 22



TO & FRO
500 TN
540 TN
GV 5
603 LWT
604 LWT
740 LWT
745 LWT
750 LWT
360 FLS
450 GV
480 PGV
480 ATMC
480 PT
480 TN
480 LT
480 LTB
480 LWT
485 LWT
490 LWT
VERTICAL TN
VERTICAL LWT

CODE CODICE	COLOUR / COLORE COLOR / COULEUR FARBE
15CPR002 15063	White / Bianco / Blanco Blanc / Weiß
15CPR001* 15063	Grey / Grigio / Gris Gris / Grau Ral7004

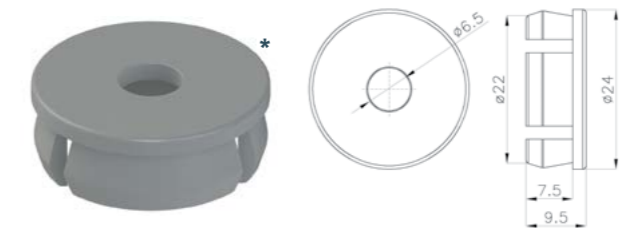
PLUG Ø 11,5
TAPPO Ø 11,5
TAPA Ø 11,5
BOUCHON Ø 11,5
PFROPFEN Ø 11,5



TO & FRO
500 TN
540 TN
GV 5
603 LWT
604 LWT
740 LWT
745 LWT
750 LWT
360 FLS
450 GV
480 PGV
480 ATMC
480 PT
480 TN
480 LT
480 LTB
480 LWT
485 LWT
490 LWT
VERTICAL TN
VERTICAL LWT

CODE CODICE	COLOUR / COLORE COLOR / COULEUR FARBE
15CPR024	White / Bianco / Blanco Blanc / Weiß
15CPR025*	Grey / Grigio / Gris Gris / Grau Ral7004

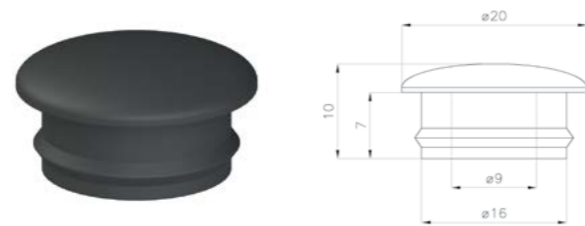
PLUG Ø 22 WITH WIRE HOLE Ø 6,5
TAPPO Ø 22 CON FORO Ø 6,5 PER PASSAGGIO CAVO
ELETTTRICO
TAPA Ø 22 CON AGUJERO Ø 6,5 PARA PASO CABLES
ELÉCTRICOS
BOUCHON Ø 22 AVEC TROU Ø 6,5 POUR PASSAGE CABLE
D'ALIMENTATION
PFROPFEN Ø 22 MIT LOCH Ø 6,5 FÜR ÜBERGANG
DER HEIZUNG



603 LWT
604 LWT
740 LWT
745 LWT
750 LWT

**15VAR002
15062**

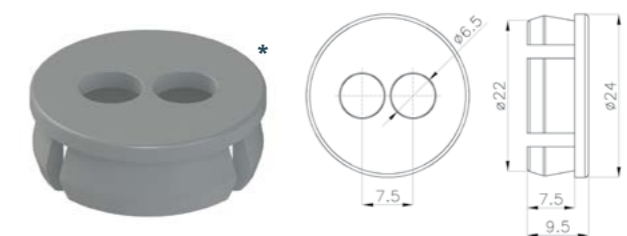
PLUG Ø 16 BLACK
TAPPO Ø 16 NERO
TAPA Ø 16 NEGRO
BOUCHON Ø 16 NOIR
PFROPFEN Ø 16 SCHWARZ



240 AM
240 S
360 LS
360 FLS
450 GV
480 PGV
480 ATMC
480 ST
480 PT
480 TN
480 LT
480 LTB
480 LWT
485 LWT
490 LWT
VERTICAL TN
VERTICAL LWT

CODE CODICE	COLOUR / COLORE COLOR / COULEUR FARBE
15CPR026	White / Bianco / Blanco Blanc / Weiß
15CPR027*	Grey / Grigio / Gris Gris / Grau Ral7004

PLUG Ø 22 WITH TWO WIRE HOLES Ø 6,5
TAPPO Ø 22 CON DUE FORI Ø 6,5
PER PASSAGGIO CAVI ELETTTRICI
TAPA Ø 22 CON DOS AGUJEROS Ø 6,5
PARA PASO CABLES ELÉCTRICOS
BOUCHON Ø 22 AVEC DEUX TROU Ø 6,5
POUR PASSAGE CABLES D'ALIMENTATION
PFROPFEN Ø 22 MIT 2 LÖCHER Ø 6,5
FÜR ÜBERGANG DER HEIZUNGEN

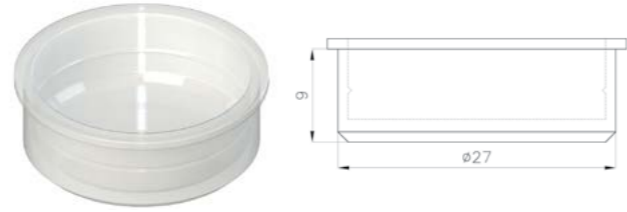


603 LWT
604 LWT
740 LWT
745 LWT
750 LWT

**DOOR MODELS
MODELLI PORTA**

15VAR000

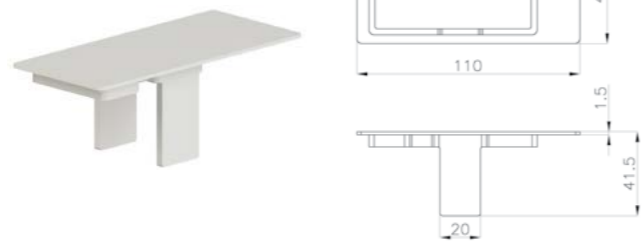
NYLON PLUG Ø 27 FOR FOAMED DOOR BLADES
TAPPO IN NYLON Ø 27 PER BATTENTI SCHIUMATI
TAPA EN NYLON Ø 27 PARA BATIENDES INYECTADOS EN POLIURETANO
BOUCHON EN NYLON Ø 27 POUR VANTAIL MOUSSEE
PFROPFEN AUS NYLON Ø 27 FÜR AUSGESCHÄUMTE FLÜGEL



SERVICE DOOR
TO & FRO
540 TN
ALL ST. STEEL DOORS

**15TEL003
15022**

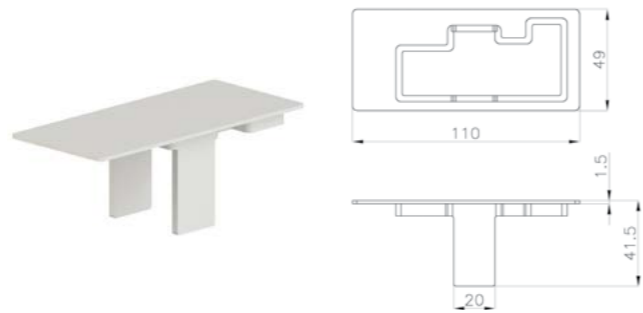
UPPER RIGHT PLUG FOR FRAME 110
TAPPO SUPERIORE DESTRO PER TELAIO 110
TAPA SUPERIOR DERECHO PARA MARCO 110
BOUCHON SUPÉRIEUR DROIT POUR HUISSERIE 110
OBERER RECHTER PFROPFEN FÜR RAHMEN 110



TO & FRO
500 TN
540 TN
GV 5
603 LWT
604 LWT
360 FLS
450 GV
480 PGV
480 PT
480 TN
480 LT
480 LTB

**15TEL002
15021**

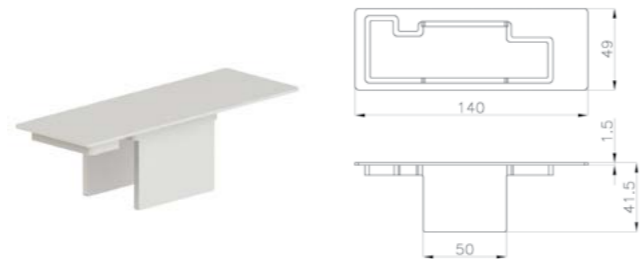
UPPER LEFT PLUG FOR FRAME 110
TAPPO SUPERIORE SINISTRO PER TELAIO 110
TAPA SUPERIOR IZQUIERDO PARA MARCO 110
BOUCHON SUPÉRIEUR GAUCHE POUR HUISSERIE 110
OBERER LINKER PFROPFEN FÜR RAHMEN 110



TO & FRO
500 TN
540 TN
GV 5
603 LWT
604 LWT
360 FLS
450 GV
480 PGV
480 PT
480 TN
480 LT
480 LTB

**15TEL023
15024**

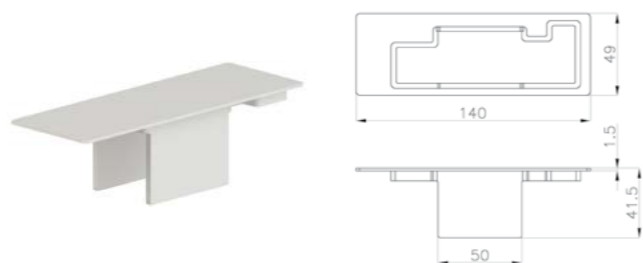
UPPER RIGHT PLUG FOR FRAME 140
TAPPO SUPERIORE DESTRO PER TELAIO 140
TAPA SUPERIOR DERECHO PARA MARCO 140
BOUCHON SUPÉRIEUR DROIT POUR HUISSERIE 140
OBERER RECHTER PFROPFEN FÜR RAHMEN 140



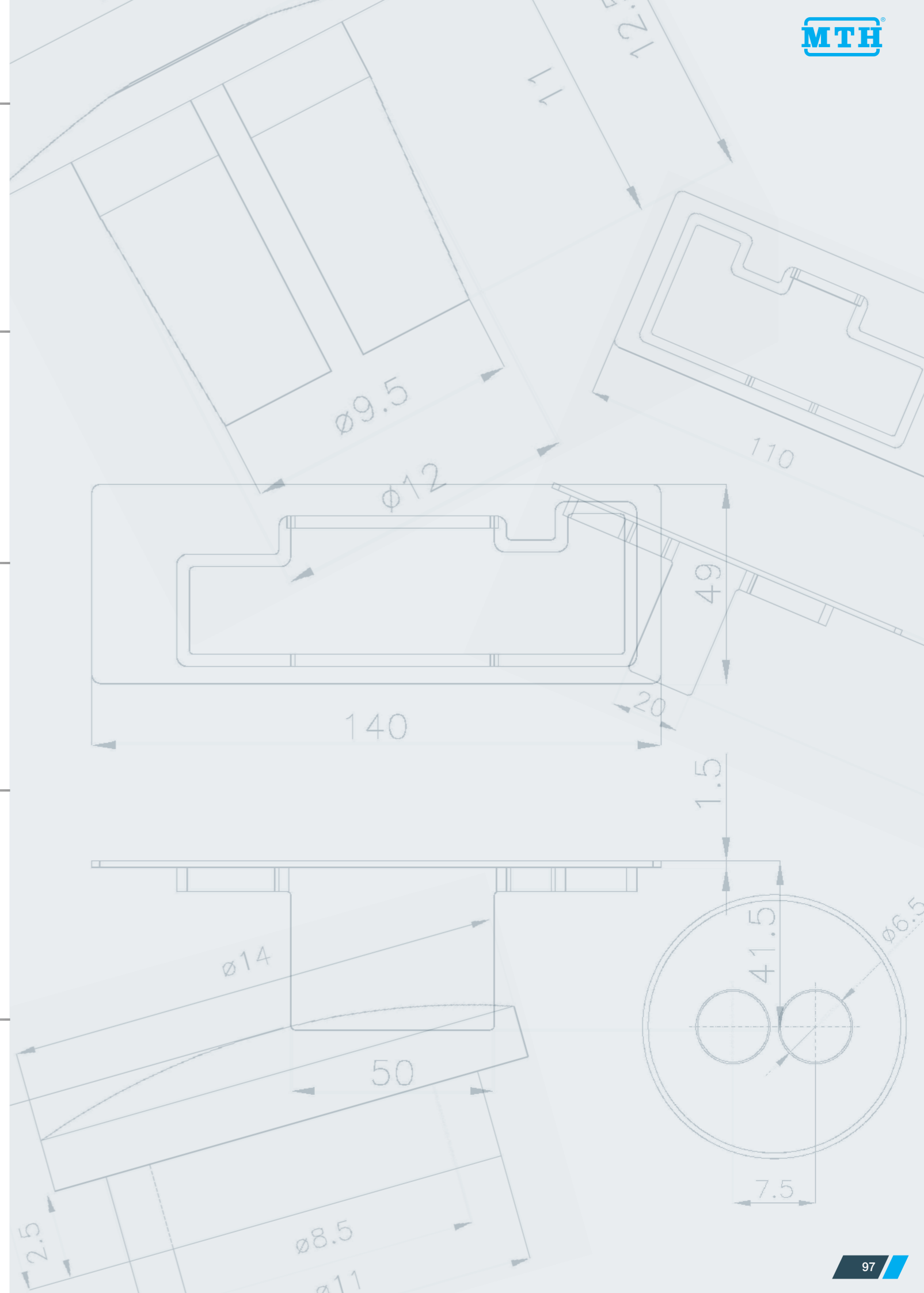
740 LWT
745 LWT
750 LWT
480 ATMC
480 LWT
485 LWT
490 LWT
VERTICAL TN
VERTICAL LWT

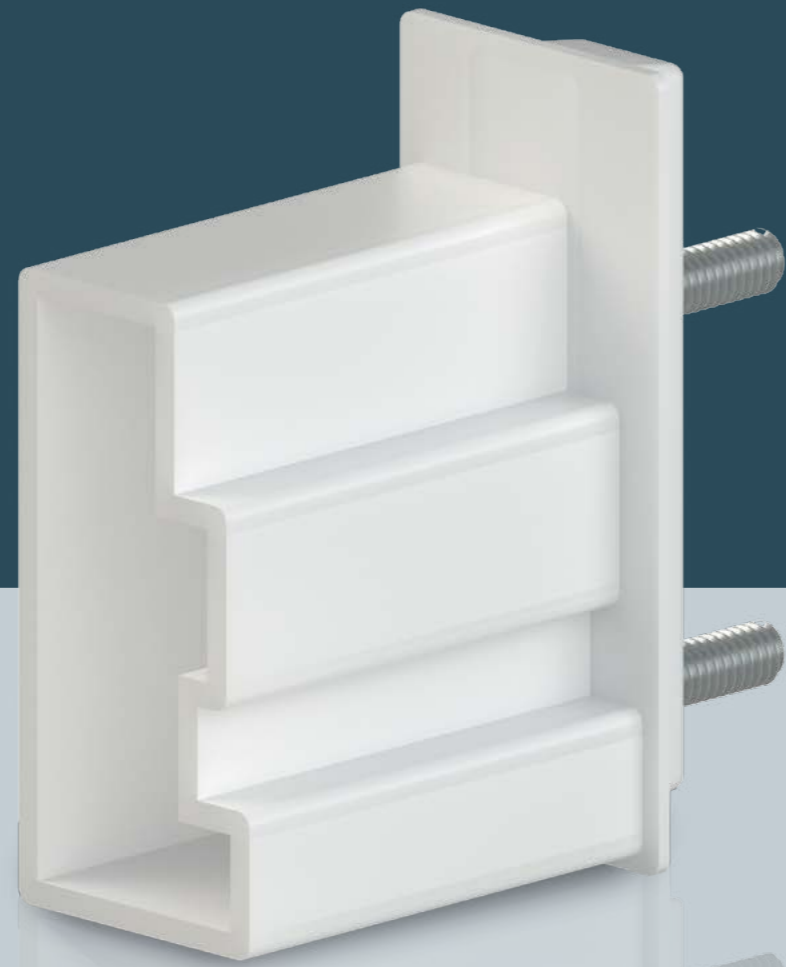
**15TEL022
15023**

UPPER LEFT PLUG FOR FRAME 140
TAPPO SUPERIORE SINISTRO PER TELAIO 140
TAPA SUPERIOR IZQUIERDO PARA MARCO 140
BOUCHON SUPÉRIEUR GAUCHE POUR HUISSERIE 140
OBERER LINKER PFROPFEN FÜR RAHMEN 140



740 LWT
745 LWT
750 LWT
480 ATMC
480 LWT
485 LWT
490 LWT
VERTICAL TN
VERTICAL LWT





REINFORCEMENTS AND FIXING ELEMENTS

RINFORZI ED ELEMENTI
DI FISSAGGIO
REFUERZOS Y ELEMENTOS
DE FIJACIÓN
RENFORTS ET ÉLÉMENTS
DE FIXATION
VERSTÄRKUNGS- UND
FIXIERUNGSELEMENTE

10

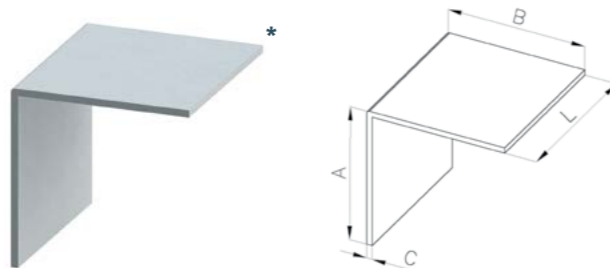
20

65

31

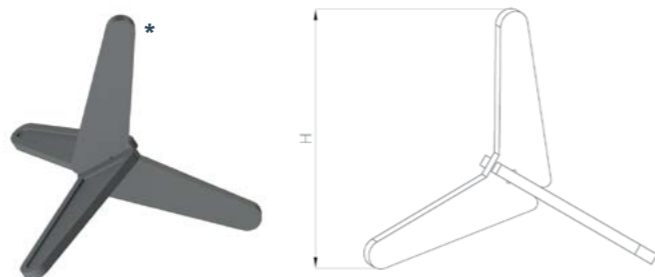
CODE CODICE	A (mm)	B (mm)	C (mm)	L (mm)	DOOR MODELS MODELLI PORTA
10VAT101 10066	50	50	2	30	SERVICE DOOR
10VAT103 10068	50	50	2	30	SERVICE DOOR (STAINLESS STEEL FRAME)
10VAT104 10069	45	45	3	25	TO & FRO
10VAT001* 10065	50	50	2	55	DOOR MODELS SP=68 (EXCEPT FOR 540TN)
10VAT102 10067	45	45	3	20	540 TN
10VAT002 10064	50	50	2	75	DOOR MODELS SP=92
10VAT003 10063	50	50	2	105	DOOR MODELS SP=121
10VAT004	50	50	2	135	DOOR MODELS SP=151

INTERNAL ANGULAR REINFORCEMENT
FOR BLADE EDGE
ANGOLARE DI RINFORZO INTERNO
PER BORDO BATTENTE
ANGULAR DE REFUERZO INTERNA
PARA BORDE BATIENTE
ANGULAIRE DE RENFORCEMENT INTÉRIEUR
POUR BORD VANTAIL
INNERES VERSTÄRKUNG WINKELPROFIL
FÜR FLÜGELRAND



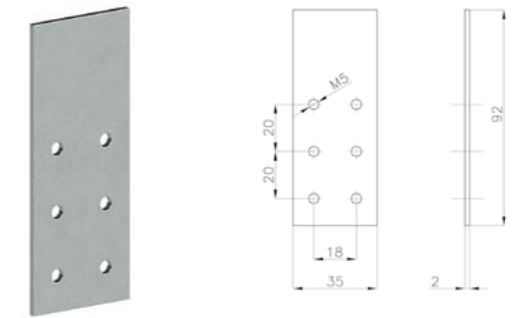
CODE CODICE	H (mm)	DOOR MODELS MODELLI PORTA
06SPD040 15011	40	DOOR MODELS SP=40
06SPD070 15012	70	DOOR MODELS SP=68
06SPD090* 15013	90	DOOR MODELS SP=92
06SPD120 15014	120	DOOR MODELS SP=121
06SPD140	140	DOOR MODELS SP=151

PLASTIC STIFF SPACER FOR DOOR TO FOAM
Distanziale in plastica per porta
da schiumare
DISTANCIADOR EN PLASTICO PARA PUERTA
A INYECTAR
DISTANCEUR EN PLASTIQUE POUR PORTE
A MOUSSER
ABSTANDSTÜCK AUS KUNSTSTOFF
FÜR TÜR ZU SCHÄUMEN



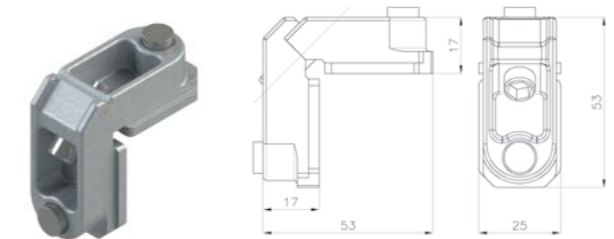
**16COC001
16025**

GALVANIZED STEEL PLATE FOR HINGE FIXING
FOR SERVICE DOOR
PIASTRA IN ACCIAIO ZINCATO PER FISSAGGIO CERNIERA
PER PORTA TIPO UFFICIO
PLACA EN ACERO GALVANIZADO PARA FIJACIÓN BISAGRA
PARA PUERTA DE SERVICIO
PLAQUE EN ACIER GALVANISÉ POUR FIXATION CHARNIÈRE
POUR PORTE TYPE BUREAU
VERZINKTE STAHLPLATTE FÜR SCHARNIER FIXIERUNG
FÜR BETRIEBSRAUMTÜR



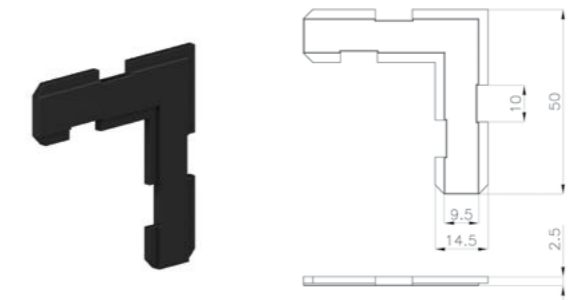
05ANS022

ALUMINIUM ANGLE
FOR SERVICE DOOR FRAME JOIN
SQUADRETTA IN ALLUMINIO
PER UNIONE TELAIO PORTA TIPO UFFICIO
ANGULAR EN ALUMINIO
PARA UNION MARCO PUERTA DE SERVICIO
ANGULAIRE EN ALUMINIUM
POUR UNION HUISSERIE PORTE TYPE BUREAU
ALU-WINKELPROFIL
FÜR RAHMEN VERBINDUNG BETRIEBSRAUMTÜR



05ANS023

PLASTIC ANGLE FOR SERVICE DOOR FRAME
AND COUNTERFRAME JOIN
ANGOLARE IN PLASTICA PER UNIONE TELAIO
E CONTROTELAIO PORTA TIPO UFFICIO
ANGULAR EN PLASTICO PARA UNION MARCO
Y CONTRAMARCO PUERTA DE SERVICIO
ANGULAIRE EN PLASTIQUE POUR UNION HUISSERIE
E CONTRE-HUISSERIE PORTE TYPE BUREAU
ALU-WINKELPROFIL FÜR RAHMEN
UND KLEMMRAHMEN VERBINDUNG BETRIEBSRAUMTÜR



CODE CODICE	L (mm)
26IFI001*	250
26IFI002	350
26IFI006	800

PIN Ø 8 WITH THREADED END FOR DOOR BOLT
PERNO Ø 8 CON ESTREMITÀ FILETTATA
PER CATENACCIO A LEVA
PERNO Ø 8 CON EXTREMIDAD DE ROSCA P
ARA ALTIBAJOS
PIVOT Ø 8 AVEC EXTRÉMITÉ FILETÉE
POUR ELEVATOR
STIFT Ø 8 MIT GEWINDE ENDE FÜR RIEGEL



SERVICE DOOR

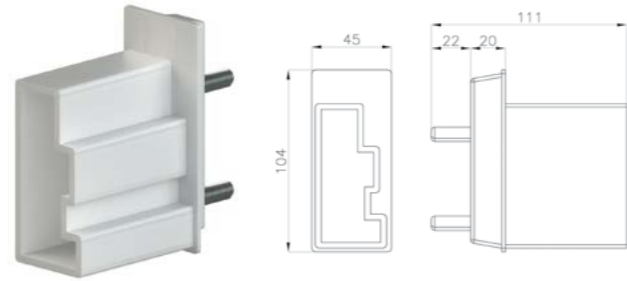
SERVICE DOOR

SERVICE DOOR

SERVICE DOOR 2W

15GIU002 15016

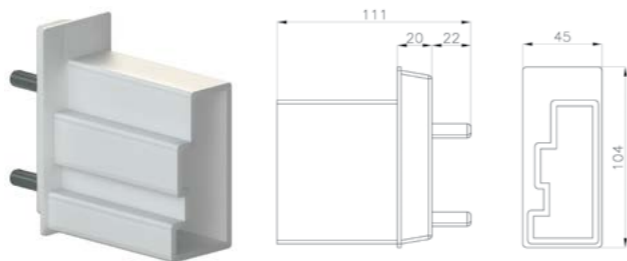
RIGHT JOINT FOR FRAME 110 WITH GALVANIZED BOLT
GIUNTO DESTRO PER TELAIO 110 CON BULLONE ZINCATO
UNION DERECHA PARA MARCO 110 CON TORNILLO GALVANIZADO
JOINT DROITE POUR HUISSERIE 110 AVEC BOULON GALVANISÉ
STOSS RECHTS FÜR RAHMEN 110
MIT VERZINKTEM BOLZEN



TO & FRO
500 TN
540 TN
GV 5
603 LWT
604 LWT
360 FLS
450 GV
480 PGV
480 PT
480 TN
480 LT
480 LTB
480 LWT
485 LWT
490 LWT
VERTICAL TN
VERTICAL LWT

15GIU003 15017

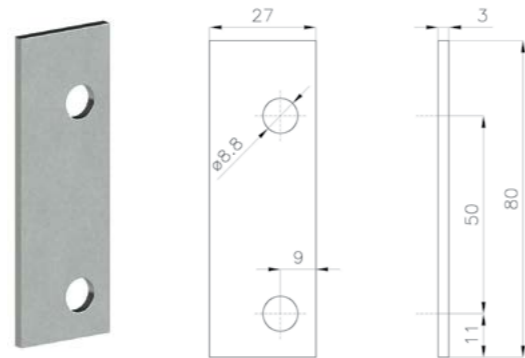
LEFT JOINT FOR FRAME 110 WITH GALVANIZED BOLT
GIUNTO SINISTRO PER TELAIO 110 CON BULLONE ZINCATO
UNION IZQUIERDA PARA MARCO 110 CON TORNILLO GALVANIZADO
JOINT GAUCHE POUR HUISSERIE 110 AVEC BOULON GALVANISÉ
STOSS LINKS FÜR RAHMEN 110
MIT VERZINKTEM BOLZEN



TO & FRO
500 TN
540 TN
GV 5
603 LWT
604 LWT
360 FLS
450 GV
480 PGV
480 PT
480 TN
480 LT
480 LTB
480 LWT
485 LWT
490 LWT
VERTICAL TN
VERTICAL LWT

16PIT002 16023

GALVANIZED STEEL PLATE FOR FRAME 110 JOINT FIXING
PIASTRA IN ACCIAIO ZINCATO PER FISSAGGIO GIUNTO TELAIO 110
PLACA EN ACERO GALVANIZADO PARA FIJACIÓN UNION MARCO 110
PLAQUE EN ACIER GALVANISÉ POUR FIXATION JOINT HUISSERIE 110
VERZINKTEM STAHL PLATTE FÜR STOSS FIXIERUNG RAHMEN 110



TO & FRO
500 TN
540 TN
GV 5
603 LWT
604 LWT
360 FLS
450 GV
480 PGV
480 PT
480 TN
480 LT
480 LTB
480 LWT
485 LWT
490 LWT
VERTICAL TN
VERTICAL LWT

05ANS001 15026

PLASTIC ANGLE FOR SIDE FRAME JOIN
ANGOLARE IN PLASTICA PER UNIONE COSTA TELAIO
ANGULAR EN PLASTICO PARA UNION COSTA MARCO
ANGULAIRE EN PLASTIQUE POUR UNION CÔTE HUISSERIE
ALU-WINKELPROFIL FÜR SEITENRAHMEN VERBINDUNG



TO & FRO
500 TN
540 TN
GV 5
603 LWT
604 LWT
740 LWT
745 LWT
750 LWT
360 FLS
450 GV
480 PGV

480 ATMC
480 PT
480 TN
480 LT
480 LTB
480 LWT
485 LWT
490 LWT
VERTICAL TN
VERTICAL LWT

05ANP001 15027

PLASTIC ANGLE FOR COUNTERFRAME JOIN
ANGOLARE IN PLASTICA PER UNIONE CONTROTELAIO
ANGULAR EN PLASTICO PARA UNION CONTROMARCO
ANGULAIRE EN PLASTIQUE POUR UNION CONTRE-HUISSERIE
KUNSTSTOFF WINKELPROFIL FÜR KLEMMRAHMEN VERBINDUNG



SERVICE DOOR (FRAME)
TO & FRO
500 TN
540 TN
GV 5
603 LWT
604 LWT
740 LWT
745 LWT
750 LWT
360 FLS
450 GV

480 PGV
480 ATMC
480 PT
480 TN
480 LT
480 LTB
480 LWT
485 LWT
480 LT
490 LWT
VERTICAL TN
VERTICAL LWT

CODE CODICE	L (mm)	PANEL THK. / PANNELLO SP. PANEL ESP. / PANNEAU SP. PLATTE S. (mm)
25TIO055* 16026	55	60
25TIO075 16027	75	80
25TIO095 16028	95	100
25TIO115 16029	115	120

THREADED SLEEVE M6 FOR FRAME FIXING FOR PANEL

CANOTTO FILETTATO M6 PER FISSAGGIO TELAIO PER PANNELLO
TUBO DE ROSCA M6 PARA FIJACIÓN MARCO PARA PANEL
RADEAU FILETÉ M6 POUR FIXATION HUISSERIE POUR PANNEAU
GEWINDER SCHLAUCH M6 FÜR FIXIERUNG RAHMEN FÜR PLATTE



15VAR150 15055

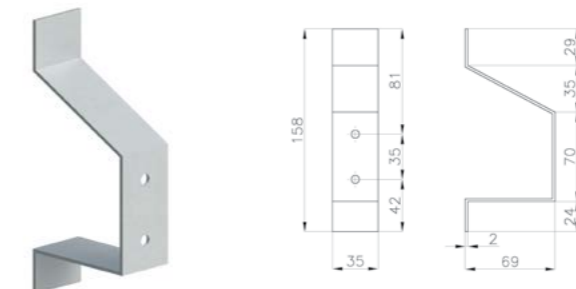
PLASTIC PLUG WITH INTERNAL THREAD M12 FOR FIXING FRAME IN MASONRY
TAPPO IN PLASTICA CON FILETTATURA INTERNA M12 PER FISSAGGIO TELAIO PER MURATURA
BULÓN EN PLASTICO CON ROSCA INTERNA M12 PARA FIJACIÓN MARCO PARA MURO
BOUCHON EN PLASTIQUE AVEC FILETAGE INTERNE M12 POUR FIXATION HUISSERIE POUR MAÇONNERIE
KUNSTSTOFF PFROPFEN MIT INNERER GEWINDE M12 FÜR RAHMEN FIXIERUNG FÜR MAUERWERK



ALL MODELS EXCEPT FOR:
SERVICE DOOR
TO & FRO

12VAR201

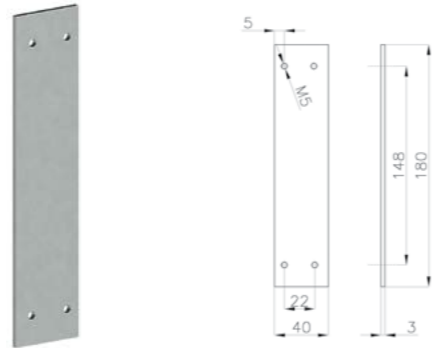
FIXING BRACKET FOR FLAT FRAME IN MASONRY
STAFFA DI FISSAGGIO TELAIO PIATTO PER MURATURA
ESTRIBO DE FIJACIÓN MARCO PLANO PARA MURO
ÉTRIER DE FIXATION HUISSERIE PLATE POUR MAÇONNERIE
FIXIERUNG SPANNEISEN FÜR FLACHRAHMEN FÜR MAUERWERK



ALL MODELS EXCEPT FOR:
SERVICE DOOR
TO & FRO

16PIC001 16017

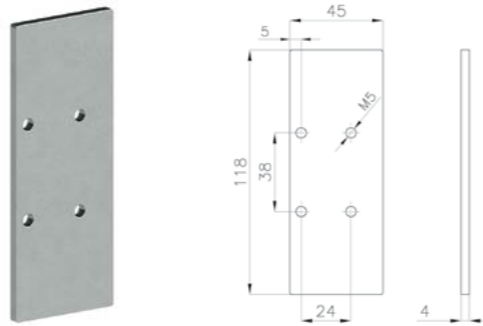
GALVANIZED STEEL PLATE FOR HINGE FIXING WITH CAM FOR DOOR THK=68
PIASTRA IN ACCIAIO ZINCATO PER FISSAGGIO CERNIERA CON RAMPA PER PORTA SP=68
PLACA EN ACERO GALVANIZADO PARA FIJACIÓN BISAGRA CON RAMPA PARA PUERTA ESP=68
PLAQUE EN ACIER GALVANISÉ POUR FIXATION CHARNIÈRE AVEC RAMPE POUR PORTE ÉPAIS=68
VERZINKTEM STAHL PLATTE FÜR SCHARNIER FIXIERUNG MIT RAMPE FÜR TÜR S=68



500 TN
GV 5

16PIC020

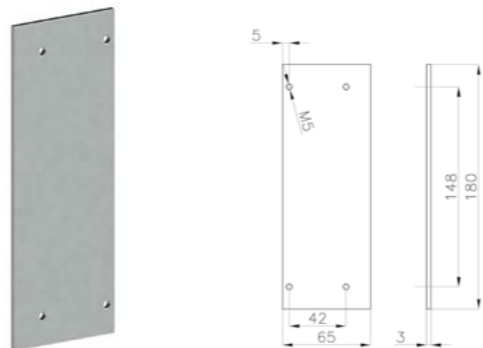
GALVANIZED STEEL PLATE FOR ADJUSTABLE HINGE
PIASTRA IN ACCIAIO ZINCATO PER CERNIERA REGOLABILE
PLACA EN ACERO GALVANIZADO PARA BISAGRA AJUSTABLE
PLAQUE EN ACIER GALVANISÉ POUR CHARNIÈRE RÉGLABLE
VERZINKTEM STAHL PLATTE FÜR REGULIERBARES SCHARNIER



500 TN
GV 5
603 LWT
604 LWT
740 LWT
745 LWT

16PIC002 16018

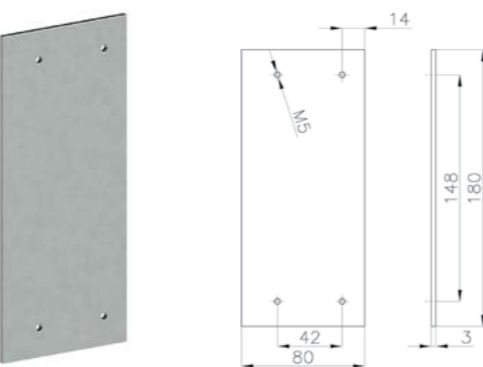
GALVANIZED STEEL PLATE FOR HINGE FIXING WITH CAM FOR DOOR THK=92
PIASTRA IN ACCIAIO ZINCATO PER FISSAGGIO CERNIERA CON RAMPA PER PORTA SP=92
PLACA EN ACERO GALVANIZADO PARA FIJACIÓN BISAGRA CON RAMPA PARA PUERTA ESP=92
PLAQUE EN ACIER GALVANISÉ POUR FIXATION CHARNIÈRE AVEC RAMPE POUR PORTE ÉPAIS=92
VERZINKTEM STAHL PLATTE FÜR SCHARNIER FIXIERUNG MIT RAMPE FÜR TÜR S=92



603 LWT

16PIC003 16019

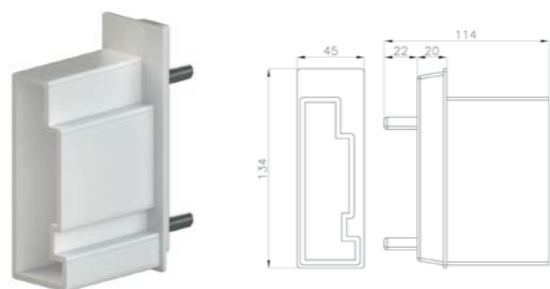
GALVANIZED STEEL PLATE FOR HINGE FIXING WITH CAM FOR DOOR THK=121
PIASTRA IN ACCIAIO ZINCATO PER FISSAGGIO CERNIERA CON RAMPA PER PORTA SP=121
PLACA EN ACERO GALVANIZADO PARA FIJACIÓN BISAGRA CON RAMPA PARA PUERTA ESP=121
PLAQUE EN ACIER GALVANISÉ POUR FIXATION CHARNIÈRE AVEC RAMPE POUR PORTE ÉPAIS=121
VERZINKTEM STAHL PLATTE FÜR SCHARNIER FIXIERUNG MIT RAMPE FÜR TÜR S=121



604 LWT
740 LWT
745 LWT
750 LWT

15GIU102 15018

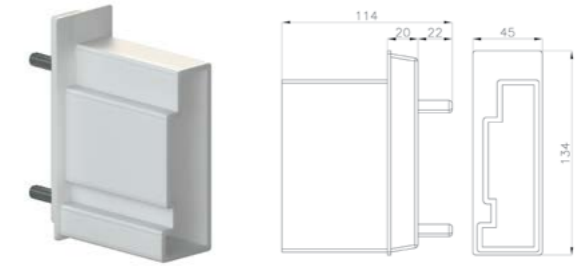
RIGHT JOINT FOR FRAME 140 WITH GALVANIZED BOLT
GIUNTO DESTRO PER TELAIO 140 CON BULLONE ZINCATO
UNION DERECHA PARA MARCO 140 CON TORNILLO GALVANIZADO
JOINT DROITE POUR HUISSERIE 140 AVEC BOULON GALVANISÉ
STOSS RECHTS FÜR RAHMEN 140 MIT VERZINKTEM BOLZEN



740 LWT
745 LWT
750 LWT

15GIU103 15019

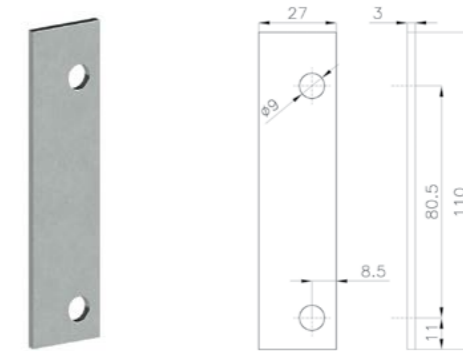
LEFT JOINT FOR FRAME 140 WITH GALVANIZED BOLT
GIUNTO SINISTRO PER TELAIO 140 CON BULLONE ZINCATO
UNION IZQUIERDA PARA MARCO 140 CON TORNILLO GALVANIZADO
JOINT GAUCHE POUR HUISSERIE 140 AVEC BOULON GALVANISÉ
STOSS LINKS FÜR RAHMEN 140 MIT VERZINKTEM BOLZEN



740 LWT
745 LWT
750 LWT

16PIT001 16022

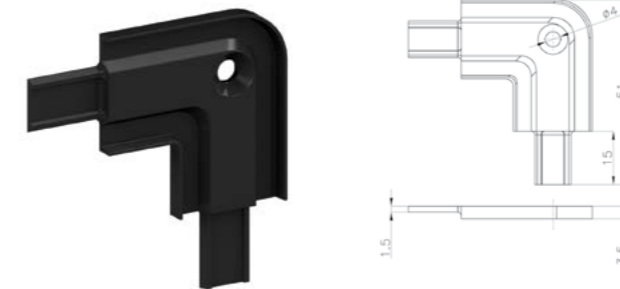
GALVANIZED STEEL PLATE FOR FRAME 140 JOINT FIXING
PIASTRA IN ACCIAIO ZINCATO PER FISSAGGIO GIUNTO TELAIO 140
PLACA EN ACERO GALVANIZADO PARA FIJACIÓN UNION MARCO 140
PLAQUE EN ACIER GALVANISÉ POUR FIXATION JOINT HUISSERIE 140
PLATTE AUS VERZINKTEM STAHL FÜR STOSS FIXIERUNG RAHMEN 140



740 LWT
745 LWT
750 LWT

05ANP100 15029

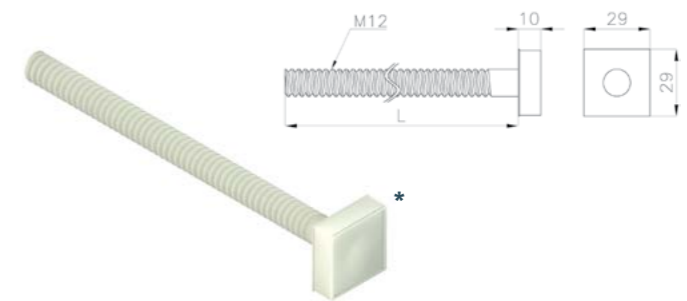
PLASTIC ANGLE FOR HEATING CABLE SUPPORT JOIN
ANGOLARE IN PLASTICA PER UNIONE SUPPORTO RESISTENZA
ANGULAR EN PLASTICO PARA UNION SOPORTE RESISTENCIA
ANGULAIRE EN PLASTIQUE POUR UNION SUPPORT RÉSISTANCE
WINKELPROFIL AUS KUNSTSTOFF FÜR WIDERSTANDSHALTER VERBINDUNG



740 LWT
745 LWT
750 LWT
480 LWT
485 LWT
490 LWT
VERTICAL LWT

CODE CODICE	L (mm)
25TIN016* 15046	160
25TIN023 15047	230
25TIN030 15045	300

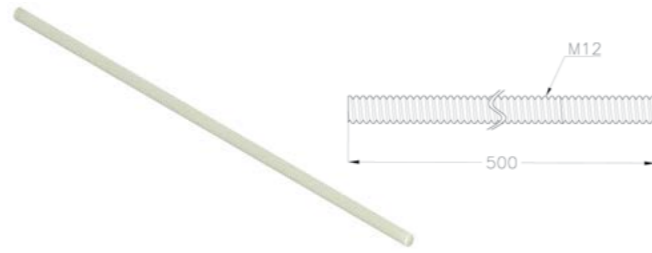
NYLON TENSION-ROD M12
TIRANTE IN NYLON M12
TORNILLO DE NYLON M12
TIRANT EN NYLON M12
LÄUFER AUS NYLON M12



240 AM
240 S
360 LS
360 FLS
450 GV
480 PGV
480 ATMC
480 ST
480 PT
480 TN
480 LT
480 LTB
480 LWT
485 LWT
490 LWT
VERTICAL TN
VERTICAL LWT

25TIN050 15038

NYLON THREADED ROD M12 L=500
BARRA FILETTATA IN NYLON M12 L=500
BARRA DE ROSCA EN NYLON M12 L=500
BARRE FILETÉE EN NYLON M12 L=500
GEWINDER STAB AUS NYLON M12 L=500



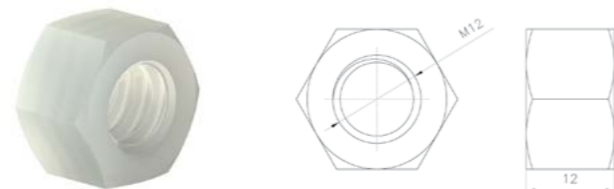
24FIS001 15049

PLASTIC WASHER Ø 12,5
RONDELLA IN PLASTICA Ø 12,5
RUEDECILLA EN PLASTICO Ø 12,5
RONDELLE EN PLASTIQUE Ø 12,5
KUNSTSTOFF BEILAGSCHEIBE Ø 12,5



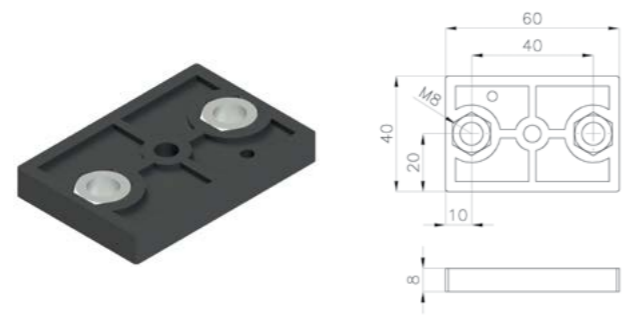
25TID012 15048

NUT FOR NYLON TENSION-ROD M12
DADO PER TIRANTI NYLON M12
TUERCA PARA TIRADORES NYLON M12
ÉCROU POUR TIRANTS NYLON M12
SCHRAUBENMUTTER FÜR NYLON LÄUFER M12



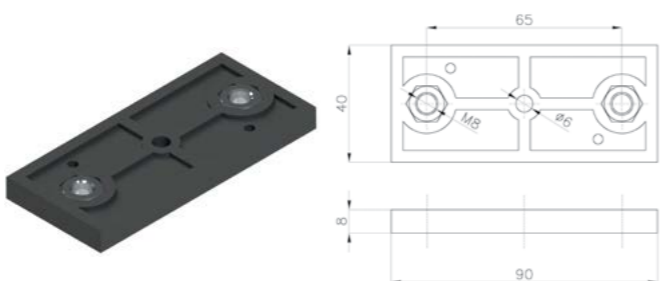
16COS004 16014

PLASTIC FIXING PLATE 60X40X8
WITH GALVANIZED NUTS 2XM8
PIASTRA DI FISSAGGIO IN PLASTICA 60X40X8
CON DADI ZINCATI 2XM8
PLACA DE FIJACIÓN EN PLASTICO 60X40X8
CON TUERCAS GALVANIZADAS 2XM8
PLAQUE DE FIXATION EN PLASTIQUE 60X40X8
AVEC DADE GALVANISÉS 2XM8
KUNSTSTOFF FIXIERUNG PLATTE 60X40X8
MIT VERZINKTEN SCHRAUBENMUTTERN 2XM8



16COS005 16012

PLASTIC FIXING PLATE 90X40X8 WITH
GALVANIZED NUTS 2XM8
PIASTRA DI FISSAGGIO IN PLASTICA 90X40X8
CON DADI ZINCATI 2XM8
PLACA DE FIJACIÓN EN PLASTICO 90X40X8
CON TUERCAS GALVANIZADAS 2XM8
PLAQUE DE FIXATION EN PLASTIQUE 90X40X8
AVEC DADE GALVANISÉS 2XM8
KUNSTSTOFF FIXIERUNG PLATTE 90X40X8
MIT VERZINKTEN SCHRAUBENMUTTERN 2XM8



ALL MODELS
EXCEPT FOR:
SERVICE DOOR
TO & FRO

ALL MODELS
EXCEPT FOR:
SERVICE DOOR
TO & FRO

ALL MODELS
EXCEPT FOR:
SERVICE DOOR
TO & FRO

EXT. FIXED HANDLE
240 AM
240 S

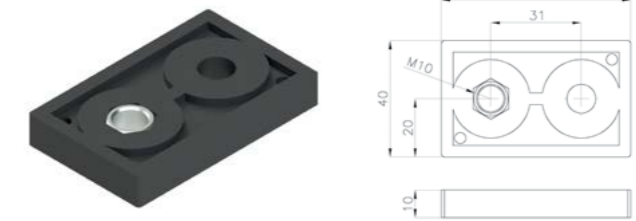
EXT. FIXED HANDLE /
PULLEY
360 LS
360 FLS

EXT. FIXED HANDLE /
EXT. LEVER HANDLE
450 GV 480 LT
480 PGV 480 LTB
480 ATMC 480 LWT
480 ST 485 LWT
480 TN 490 LWT

EXT. LEVER HANDLE
480 LTB
480 LWT
485 LWT
490 LWT
WITH 13SEF031 13056
13SEF032 13053

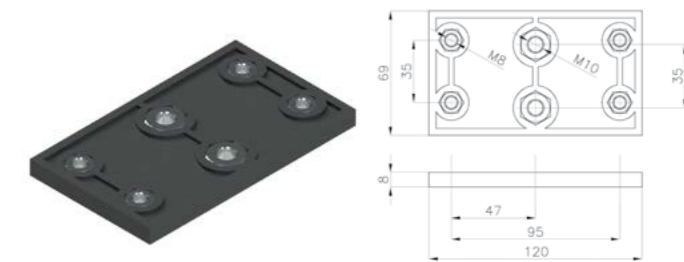
16COS003 16013

PLASTIC FIXING PLATE 65X40X10
WITH GALVANIZED NUT 1XM10
PIASTRA DI FISSAGGIO IN PLASTICA 65X40X10
CON DADO ZINCATO 1XM10
PLACA DE FIJACIÓN EN PLASTICO 65X40X10
CON TUERCA GALVANIZADA 1XM10
PLAQUE DE FIXATION EN PLASTIQUE 65X40X10
AVEC ÉCROU GALVANISÉ 1XM10
KUNSTSTOFF FIXIERUNG PLATTE 65X40X10
MIT VERZINKTEN SCHRAUBENMUTTERN 1XM10



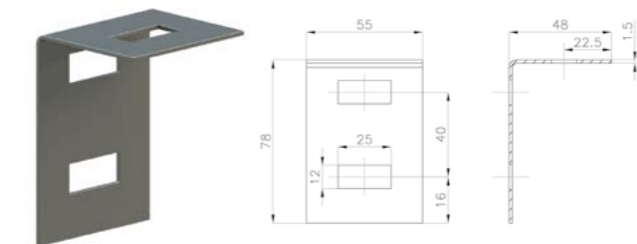
16COS002 16011

PLASTIC FIXING PLATE 120X70X10
WITH GALVANIZED NUTS 4XM8 AND 2XM10
PIASTRA DI FISSAGGIO IN PLASTICA 120X70X10
CON DADI ZINCATI 4XM8 E 2XM10
PLACA DE FIJACIÓN EN PLASTICO 120X70X10
CON TUERCAS GALVANIZADAS 4XM8 E 2XM10
PLAQUE DE FIXATION EN PLASTIQUE 120X70X10
AVEC DADE GALVANISÉS 4XM8 E 2XM10
KUNSTSTOFF FIXIERUNG PLATTE 120X70X10
MIT VERZINKTEN SCHRAUBENMUTTERN 4XM8
UND 2XM10



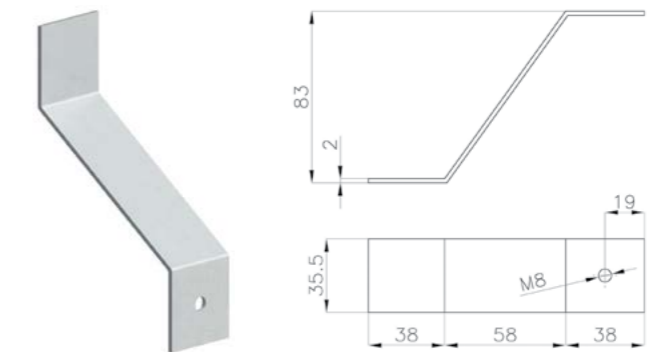
03ZIL003

GALVANIZED INTERNAL ANGULAR REINFORCEMENT
FOR "LIGHT" MODEL TRACK PULLEY
ANGOLARE DI RINFORZO INTERNO ZINCATO
PER CARRUCOLA BINARIO MODELLO "LIGHT"
ANGULAR DE REFUERZO INTERNO GALVANIZADO
PARA POLEA CARRIL MODELO "LIGHT"
ANGULAIRE DE RENFORCEMENT ENTÉRIEUR GALVANISÉ
POUR POULIE RAIL MODELE "LIGHT"
INNERES VERZINKTES VERSTÄRKUNG WINKELPROFIL
FÜR FLASCHENZUG SCHIENE MODELL "LIGHT"



12VAR202

FIXING BRACKET WITH HOLE M8 FOR MASONRY
STAFFA DI FISSAGGIO CON FORO M8
PER MURATURA
ESTRIBO DI FIJACIÓN CON AGUJERO M8
POR MURO
ÉTRIER DE FIXATION AVEC TROU M8
POUR MAÇONNERIE
FIXIERUNG SPANNEISEN MIT LOCH M8
FÜR MAUERWERK



STRIKER
360 LS

STRIKER /
REAR REGISTER
360 FLS
450 GV
480 PGV

STRIKER / PULLEY
480 ST

STRIKER /
REAR REGISTER /
PULLEY
480 ATMC 480 LTB
480 PT 480 LWT
480 TN 485 LWT
480 LT 490 LWT

REAR REGISTER
450 GV
480 ATMC
480 TN
480 LWT
BEFORE YEAR 2003

360 LS
360 FLS

FRAME WITH SIDE
FRAME FOR WALL:

ALL MODELS
EXCEPT FOR
TO & FRO

TRACK SUPPORT:
450 GV
480 PGV
480 ATMC
480 ST
480 PT
480 TN
480 LT
480 LTB
480 LWT
485 LWT
490 LWT

16PIS102

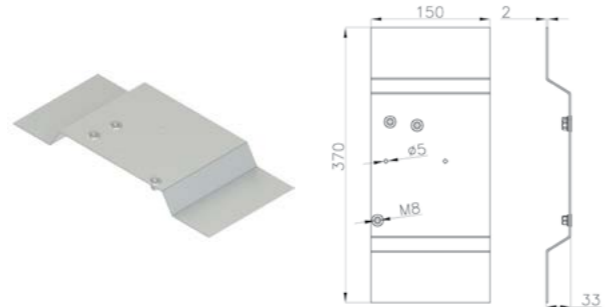
FIXING PLATE WITH INSERTS
FOR INTERNAL LEVER HANDLE
FOR SLIDING DOOR RIGHT OPENING

PIASTRA DI FISSAGGIO CON INSERTI
PER MANIGLIA INTERNA A LEVA
PER PORTA SCORREVOLE APERTURA DESTRA

PLACA DE FIJACIÓN CON INSERCIONES
PARA MANIJA INTERNA DE PALANCA
PARA PUERTA CORREDERA ABERTURA DERECHA

PLAQUE DE FIXATION AVEC INSERTS
POUR POIGNÉE INTERNE A LEVIER
POUR PORTE COULISSANTE OUVERTURE DROITE

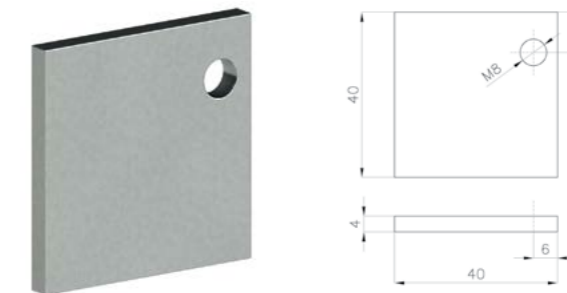
FIXIERUNG PLATTE MIT EINSÄTZE
FÜR INNEREN GRIFF ZUM HEBEL
FÜR SCHIEBETÜR ÖFFNUNG RECHTS



450 GV
480 PGV
480 ATMC
480 PT
480 TN
480 LT
480 LTB
480 LWT
485 LWT
490 LWT

16PIT004 16024

GALVANIZED PLATE FOR THREADED HOLE M8
PIASTRA ZINCATA CON FORO FILETTATO M8
PLACA GALVANIZADA CON AGUJERO DE ROSCA M8
PLAQUE GALVANISE AVEC TROU FILETÉ M8
VERZINKTE PLATTE MIT GEWINDEM LOCH M8



480 ST

16PIS103

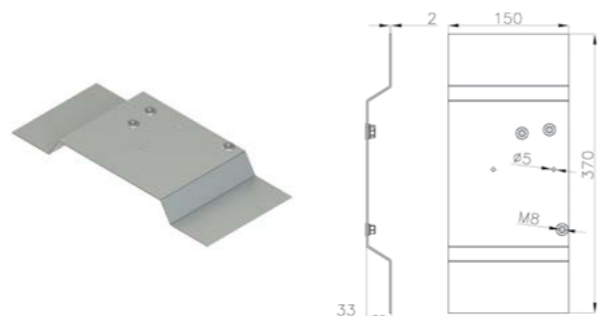
FIXING PLATE WITH INSERTS
FOR INTERNAL LEVER HANDLE
FOR SLIDING DOOR LEFT OPENING

PIASTRA DI FISSAGGIO
CON INSERTI PER MANIGLIA INTERNA A LEVA
PER PORTA SCORREVOLE APERTURA SINISTRA

PLACA DE FIJACIÓN CON INSERCIONES
PARA MANIJA INTERNA DE PALANCA
PARA PUERTA CORREDERA ABERTURA IZQUIERDA

PLAQUE DE FIXATION AVEC INSERTS
POUR POIGNÉE INTERNE A LEVIER
POUR PORTE COULISSANTE OUVERTURE GAUCHE

FIXIERUNG PLATTE MIT EINSÄTZE
FÜR INNEREN GRIFF ZUM HEBEL
FÜR SCHIEBETÜR ÖFFNUNG LINKS



450 GV
480 PGV
480 ATMC
480 PT
480 TN
480 LT
480 LTB
480 LWT
485 LWT
490 LWT

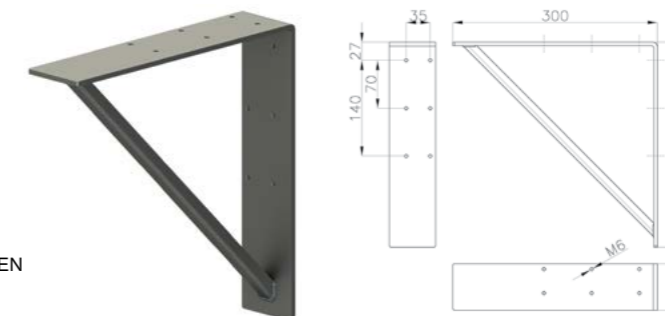
24GHI800

REVERSIBLE INTERNAL REINFORCEMENT BRACKET
VERTICAL SLIDING DOOR FOR UPPER CORNER
STAFFA DI RINFORZO INTERNA REVERSIBILE
PER ANGOLO SUPERIORE PORTA SCORREVOLE
VERTICALE

ESTRIBO DE REFUERZO INTERNA REVERSIBLE
PARA ESQUINA SUPERIOR PUERTA CORREDERA
VERTICAL

ÉTRIER DE RENFORCEMENT INTERNE REVERSIBLE
POUR ANGLE SUPÉRIEUR PORTE COULISSANTE
VERTICALE

INNERES UMKEHRBARES VERSTÄRKUNG SPANNEISEN
FÜR OBEREN WINKEL VERTIKALER SCHIEBETÜR



VERTICAL TN
VERTICAL LWT

16COS008

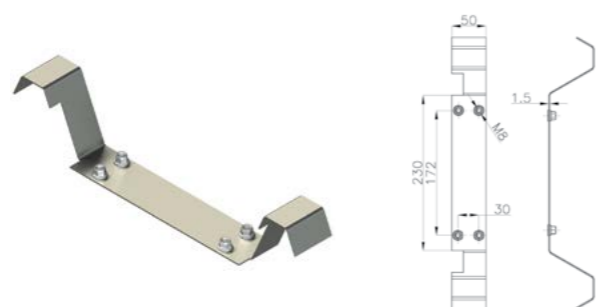
FIXING PLATE WITH INSERTS
FOR EXTERNAL LEVER HANDLE
FOR SLIDING DOOR THK=68

PIASTRA DI FISSAGGIO CON INSERTI
PER MANIGLIA ESTERNA A LEVA
PER PORTA SCORREVOLE SP=68

PLACA DE FIJACIÓN CON INSERCIONES
PARA MANIJA EXTERNA DE PALANCA
PARA PUERTA CORREDERA ESP=68

PLAQUE DE FIXATION AVEC INSERTS
POUR POIGNÉE EXTÉRIEURE A LEVIER
POUR PORTE COULISSANTE ÉPAIS=68

FIXIERUNG PLATTE MIT EINSÄTZE
FÜR ÄUSSEREN GRIFF ZUM HEBEL
FÜR SCHIEBETÜR S=68



480 PGV
480 PT

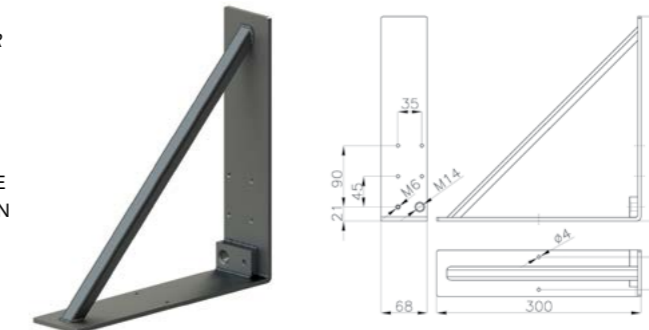
24GHI801

INTERNAL REINFORCEMENT BRACKET
FOR VERTICAL SLIDING DOOR RIGHT LOWER CORNER
STAFFA DI RINFORZO INTERNA PER ANGOLO
INFERIORE DESTRO PORTA SCORREVOLE VERTICALE

ESTRIBO DE REFUERZO INTERNA PARA ESQUINA
INFERIOR DERECHO PUERTA CORREDERA VERTICAL

ÉTRIER DE RENFORCEMENT INTERNE POUR ANGLE
INFÉRIEURE DROITE PORTE COULISSANTE VERTICALE

INNERES VERSTÄRKUNG SPANNEISEN FÜR NIEDRIGEN
WINKEL RECHTS VERTIKALER SCHIEBETÜR



VERTICAL TN
VERTICAL LWT

16COS006 16041

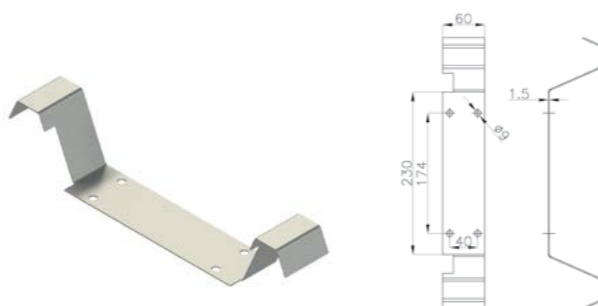
FIXING PLATE FOR INTERNAL LEVER HANDLE
FOR SLIDING DOOR THK=92-151

PIASTRA DI FISSAGGIO
PER MANIGLIA ESTERNA A LEVA
PER PORTE SCORREVOLI SP=92-151

PLACA DE FIJACIÓN
PARA MANIJA EXTERNA DE PALANCA
PARA PUERTAS CORREDERAS ESP=92-151

PLAQUE DE FIXATION
POUR POIGNÉE EXTÉRIEURE A LEVIER
POUR PORTE COULISSANTE ÉPAIS=92-151

FIXIERUNG PLATTE FÜR ÄUSSEREN GRIFF ZUM HEBEL
FÜR SCHIEBETÜR S=92-151



450 GV
480 ATMC
480 TN
480 LT
480 LTB
480 LWT
485 LWT
490 LWT

24GHI802

INTERNAL REINFORCEMENT BRACKET FOR
LEFT LOWER CORNER VERTICAL SLIDING DOOR
STAFFA DI RINFORZO INTERNA PER ANGOLO
INFERIORE SINISTRO PORTA SCORREVOLE
VERTICALE

ESTRIBO DE REFUERZO INTERNA PARA ESQUINA
INFERIOR IZQUIERDO PUERTA CORREDERA
VERTICAL

ÉTRIER DE RENFORCEMENT INTERNE
POUR ANGLE INFÉRIEURE GAUCHE PORTE
COULISSANTE VERTICALE

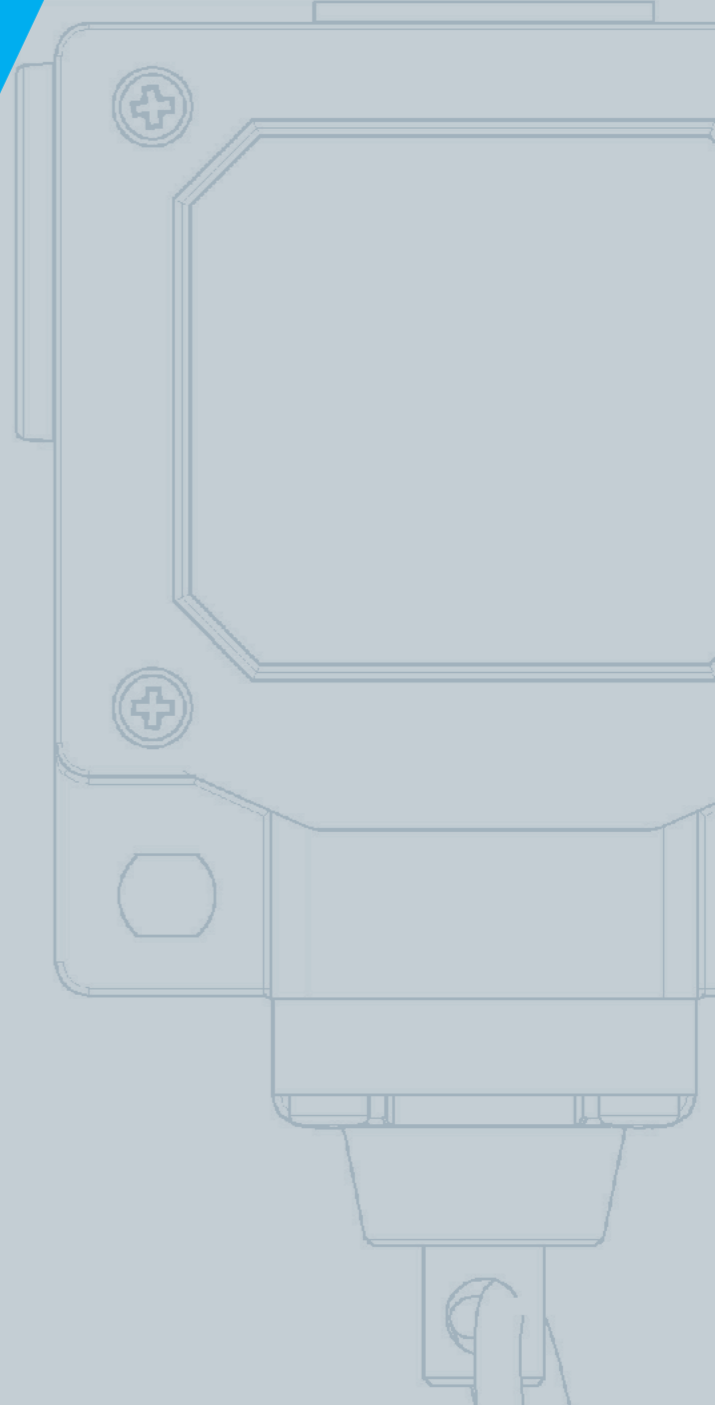
INNERES VERSTÄRKUNG SPANNEISEN
FÜR NIEDRIGEN WINKEL LINKS VERTIKALER
SCHIEBETÜR



VERTICAL TN
VERTICAL LWT



105

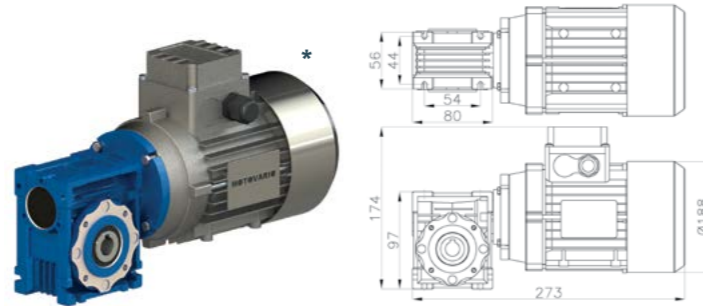


COMPONENTS FOR AUTOMATION

ELEMENTI PER L'AUTOMAZIONE
COMPONENTES PARA AUTOMACIÓN
COMPOSANTS POUR AUTOMATISATION
KOMPONENTEN FÜR TÜRAUTOMATIK

CODE CODICE	POWER / POTENZA POTENCIA / PUISSANCE POTENZ (kW)	DOOR WEIGHT PESO PORTA / PESO PUERTA POIDS PORTE / TURGEWICHT (kg)	REDUCTION RATIO RAPPORTO DI RIDUZIONE RELACION DE REDUCCION RAPPORT DE REDUCTION ÜBERSETZUNGSVERHALTNIS
20GMV249*	0,18	UP TO 80	10
20GMV248	0,25	UP TO 120	

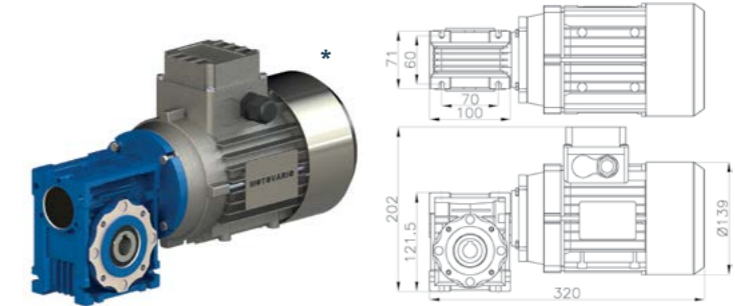
WORM GEAR MOTOR 4 POLES FOR PLCL
MOTORIDUTTORE A VITE SENZA FINE 4 POLI
PER PLCL
REDUCTOR DE TORNILLO SIN FÍN 4 POLOS
PARA PLCL
MOTORÉDUCTEUR À VIS SANS FIN À 4 POLES
POUR PLCL
SCHNECKENGETRIEBEMOTOR 4 POLE
FÜR PLCL



PLCL:
480 PT
480 TN
480 LT
480 LTB
480 LWT
485 LWT
490 LWT

CODE CODICE	POWER / POTENZA POTENCIA / PUISSANCE POTENZ (kW)	DOOR WEIGHT PESO PORTA / PESO PUERTA POIDS PORTE / TURGEWICHT (kg)	REDUCTION RATIO RAPPORTO DI RIDUZIONE RELACION DE REDUCCION RAPPORT DE REDUCTION ÜBERSETZUNGSVERHALTNIS
20GMV250*	0,37	UP TO 200	15
20GMV202	0,55	UP TO 300	

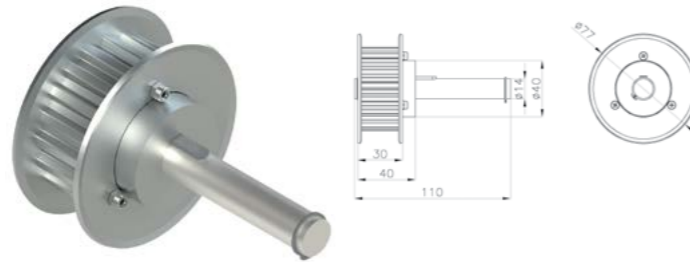
WORM GEAR MOTOR 4 POLES FOR PLCE
MOTORIDUTTORE A VITE SENZA FINE 4 POLI
PER PLCE
REDUCTOR DE TORNILLO SIN FÍN 4 POLOS
PARA PLCE
MOTORÉDUCTEUR À VIS SANS FIN À 4 POLES
POUR PLCE
SCHNECKENGETRIEBEMOTOR 4 POLE
FÜR PLCE



PLCE:
480 ATMC
480 PT
480 TN
480 LT
480 LTB
480 LWT
485 LWT
490 LWT
VERTICAL TN
VERTICAL LWT

20GMV019

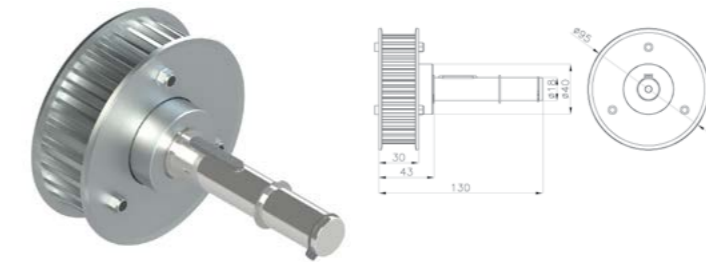
SLOW SHAFT WITH PULLEY T10-Z19
FOR PLCL AUTOMATION MOTOR
ALBERO LENTO CON PULEGGIA T10-Z19
PER MOTORE AUTOMAZIONE PLCL
EJE LENTO CON POLEA T10-Z19
PARA MOTOR AUTOMATIZACION PLCL
ARBRE LENT AVEC POULIE T10-Z19
POUR MOTEUR AUTOMATISATION PLCL
LANGSAME WELLE MIT ROLLENZUG T10-Z19
FÜR MOTOR AUTOMATION PLCL



PLCL:
480 PT
480 TN
480 LT
480 LTB
480 LWT
485 LWT
490 LWT

20GMV028

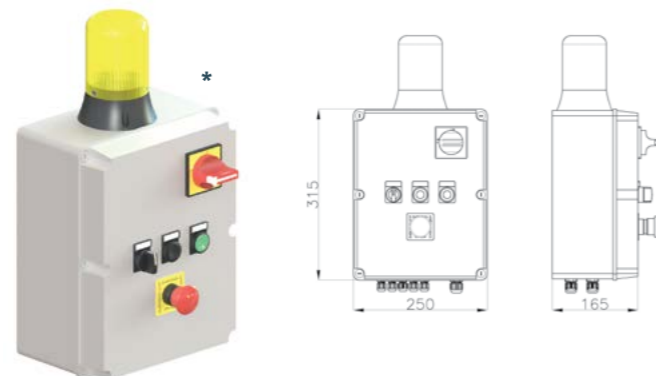
SLOW SHAFT WITH PULLEY T10-Z28
FOR PLCE AUTOMATION MOTOR
ALBERO LENTO CON PULEGGIA T10-Z28
PER MOTORE AUTOMAZIONE PLCE
EJE LENTO CON POLEA T10-Z28
PARA MOTOR AUTOMATIZACION PLCE
ARBRE LENT AVEC POULIE T10-Z28
POUR MOTEUR AUTOMATISATION PLCE
LANGSAME WELLE MIT ROLLENZUG T10-Z28
FÜR MOTOR AUTOMATION PLCE



PLCE:
480 ATMC
480 PT
480 TN
480 LT
480 LTB
480 LWT
485 LWT
490 LWT

CODE CODICE	POWER / POTENZA POTENCIA / PUISSANCE POTENZ (kW)
20QSV018*	0,18
20QSV025	0,25

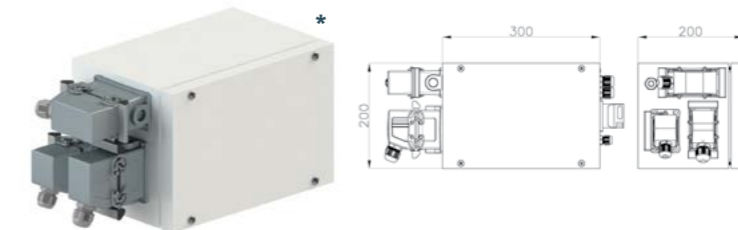
PLCL AUTOMATION BOX - COMPLETE
CASSETTA AUTOMAZIONE PLCL - COMPLETA
CAJA AUTOMATIZACION PLCL - COMPLETA
BOÎTE AUTOMATISATION PLCL - INTÉGRALE
KASSETTE AUTOMATION PLCL - KOMPLETT



PLCL:
480 PT
480 TN
480 LT
480 LTB
480 LWT
485 LWT
490 LWT

CODE CODICE	POWER / POTENZA POTENCIA / PUISSANCE POTENZ (kW)
20QSV037*	0,37
20QSV055	0,55

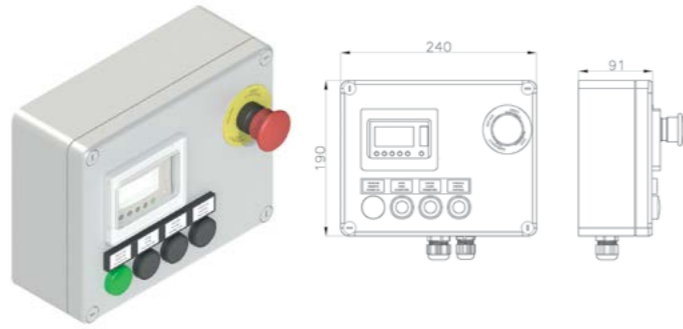
PLCE AUTOMATION POWER BOX - COMPLETE
CASSETTA POTENZA AUTOMAZIONE PLCE -
COMPLETA
CAJA POTENCIA AUTOMATIZACION PLCE -
COMPLETA
BOÎTE PUISSANCE AUTOMATISATION PLCE -
INTÉGRALE
KASSETTE AUTOMATIONSLEISTUNG PLCE -
KOMPLETT



PLCE:
480 ATMC
480 PT
480 TN
480 LT
480 LTB
480 LWT
485 LWT
490 LWT
VERTICAL TN
VERTICAL LWT

20QSV009

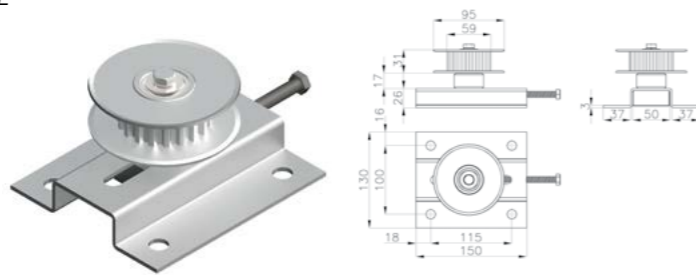
PLCE AUTOMATION LOGIC BOX - COMPLETE
CASSETTA LOGICA AUTOMAZIONE PLCE -
COMPLETA
CAJA LOGICA AUTOMATIZACION PLCE -
COMPLETA
BOÎTE LOGIQUE POUR AUTOMATISATION PLCE -
INTÉGRALE
STEUERUNGSKASTEN FÜR AUTOMATIKTÜR



PLCE:
480 ATMC
480 PT
480 TN
480 LT
480 LTB
480 LWT
485 LWT
490 LWT
VERTICAL TN
VERTICAL LWT

20CMP000

COMPLETE BELT TENSIONER SYSTEM FOR PLCL/PLCE
AUTOMATION
SISTEMA TENDICINGHIA COMPLETO PER
AUTOMAZIONE PLCL/PLCE
SISTEMA DE TENSION DE CORREA COMPLETO
PARA AUTOMATIZACION PLCL/PLCE
SYSTÈME TENDEUR DE COURROIE INTÉGRAL
POUR AUTOMATISATION PLCL/PLCE
RIEMENSANNER SYSTEM KOMPLETT
FÜR AUTOMATION PLCL/PLCE

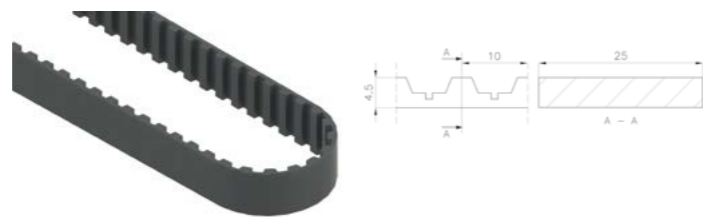


PLCL/PLCE:
480 PT
480 TN
480 LT
480 LTB
480 LWT
485 LWT
490 LWT

PLCE:
480 ATMC

**20TRA250
20091**

POLYURETHANE TOOTHED BELT IN T10
CINGHIA DENTATA IN POLIURETANO T10
CORREA DENTADA EN POLIURETANO T10
COURROIE DENTÉE EN POLYURÉTHANE T10
GEZAHNTER RIEMEN AUS POLYURETHAN T10

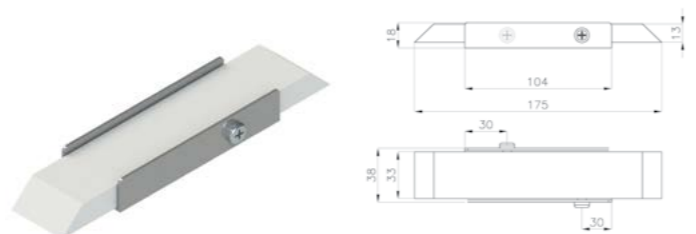


PLCL/PLCE:
480 PT
480 TN
480 LT
480 LTB
480 LWT
485 LWT
490 LWT

PLCE:
480 ATMC

20TRA713

COMPLETE OPENING LIMIT BLOCK FOR PLCL/PLCE
AUTOMATION BELT
BLOCCO PER FINECORSA DI APERTURA COMPLETO
PER CINGHIA AUTOMAZIONE PLCL/PLCE
BLOQUE FINALES DE CARRERA ABERTURA
COMPLETO PARA CORREA AUTOMATIZACION
PLCL/PLCE
BLOC POUR FIN DE COURSE DE OUVERTURE
INTÉGRAL POUR SANGLE AUTOMATISATION
PLCL/PLCE
ZUGSCHALTER FÜR AUTOMATIK PLCL/PLCE

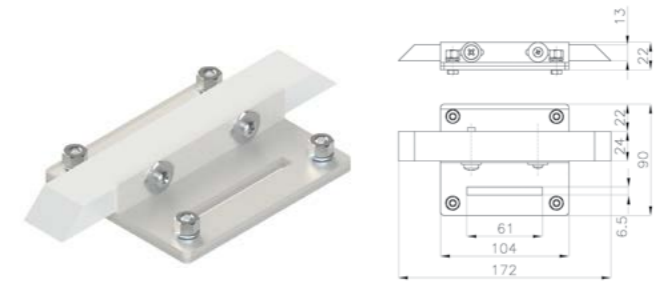


PLCL/PLCE:
480 PT
480 TN
480 LT
480 LTB
480 LWT
485 LWT
490 LWT

PLCE:
480 ATMC

20TRA712

COMPLETE CLOSING LIMIT BLOCK FOR PLCL/PLCE
AUTOMATION BELT
BLOCCO PER FINECORSA DI CHIUSURA COMPLETO
PER CINGHIA AUTOMAZIONE PLCL/PLCE
BLOQUE FINALES DE CARRERA CIERRE COMPLETO
PARA CORREA AUTOMATIZACION PLCL/PLCE
BLOC POUR FIN DE COURSE DE FERMETURE
INTÉGRAL POUR SANGLE AUTOMATISATION
PLCL/PLCE
AUSLÖSER FÜR AUTOMATIKSCHALTER PLCL/PLCE

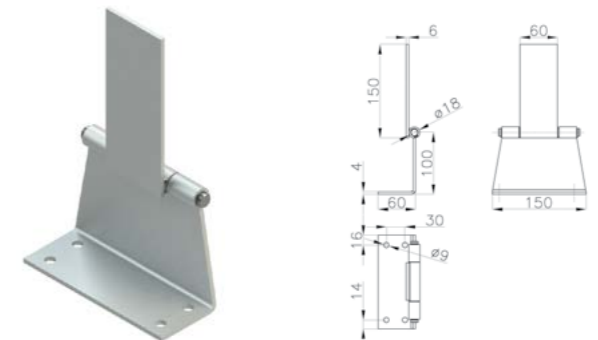


PLCL/PLCE:
480 PT
480 TN
480 LT
480 LTB
480 LWT
485 LWT
490 LWT

PLCE:
480 ATMC

20TRA700

GALVANIZED DRIVER FOR PLCE/PLCL AUTOMATION
TRASCINATORE ZINCATO PER AUTOMAZIONE
PLCE/PLCL
ARRASTADOR GALVANIZADO PARA AUTOMATIZACION
PLCE/PLCL
ENTRAÎNEUR GALVANISÉ POUR AUTOMATISATION
PLCE/PLCL
VERZINKTER MITNEHMER FÜR AUTOMATION
PLCE/PLCL

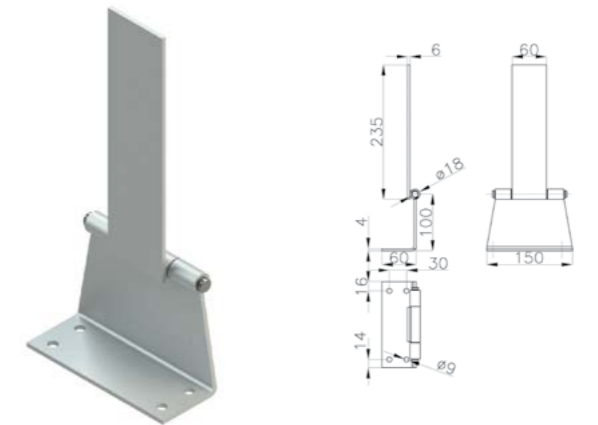


PLCL/PLCE:
480 PT
480 TN
480 LT
480 LTB
480 LWT
485 LWT
490 LWT

PLCE:
480 ATMC

20TRA750

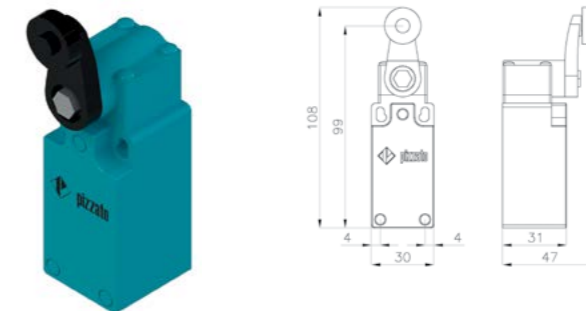
GALVANIZED DRIVER FOR PLCE/PLCL AUTOMATION
AND MANUAL DOUBLE-BLADED DOORS
TRASCINATORE ZINCATO PER AUTOMAZIONE
PLCE / PLCL / PORTE MANUALI A DUE ANTE
ARRASTADOR GALVANIZADO PARA AUTOMATIZACION
PLCE / PLCL / PUERTAS MANUALES A DOS BATIENTES
ENTRAÎNEUR GALVANISÉ POUR AUTOMATISATION
PLCE / PLCL / PORTE MANUEL À DEUX VANTAIS
VERZINKTER MITNEHMER FÜR AUTOMATION
PLCE/PLCL/ZWEIFLÜGEL-HANDTÜR



PLCL/PLCE:
480 PT
480 TN
480 LT
480 LTB
480 LWT
485 LWT
490 LWT

20ALT032

LIMIT POSITION SWITCH PLCL/PLCE AUTOMATION
MICROINTERRUPTORE DI POSIZIONE PER FINE CORSA
AUTOMAZIONE PLCL/PLCE
MICROINTERRUPTOR DE POSICIÓN PARA FINALES DE
CARRERA AUTOMATIZACION PLCL/PLCE
MICRO-INTERRUPTEUR DE POSITION POUR FIN
COURSE AUTOMATISATION PLCL/PLCE
STELLUNGSMIKROSCHALTER FÜR SWITCH-BLOCK
AUTOMATION PLCL/PLCE

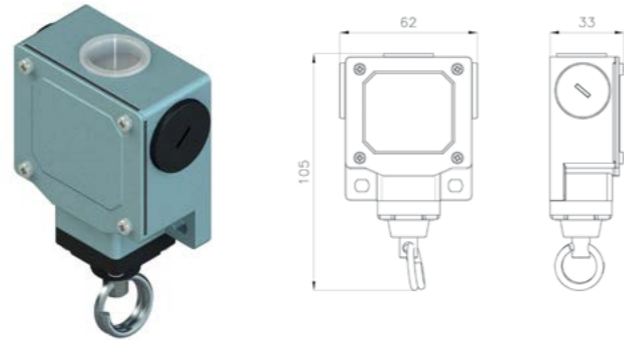


PLCL/PLCE:
480 PT
480 TN
480 LT
480 LTB
480 LWT
485 LWT
490 LWT

PLCE:
480 ATMC

20COA101
20053

PULL CORD SWITCH
INTERRUPTORE A TIRANTE
INTERRUPTOR CON TENSOR
INTERRUPTEUR A TIRANT
SCHALTER MIT ZUSTANGE

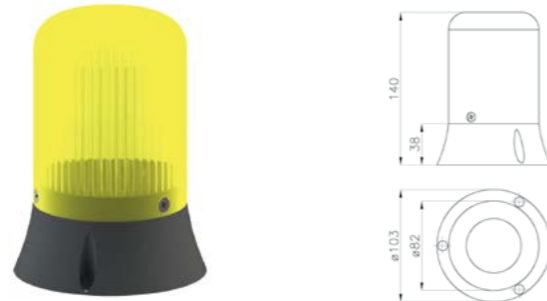


PLCL/PLCE:
480 PT
480 TN
480 LT
480 LTB
480 LWT
485 LWT
490 LWT

PLCE:
480 ATMC
VERTICAL TN
VERTICAL LWT

20COA302

BLINKING LIGHT FOR PLCL/PLCE AUTOMAZIONE
LAMPEGGIANTE PER AUTOMAZIONE PLCL/PLCE
INTERMITENTE PARA AUTOMATIZACION PLCL/PLCE
GYROPHARE POUR AUTOMATISATION PLCL/PLCE
BLINKER FÜR AUTOMATION PLCL/PLCE

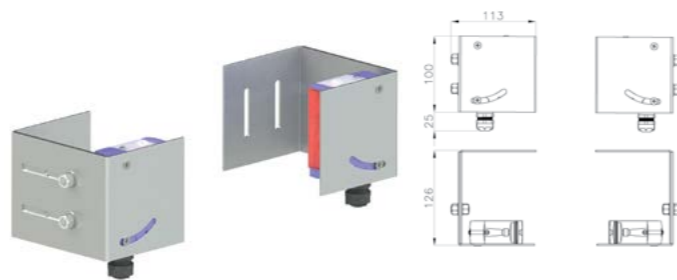


PLCL/PLCE:
480 PT
480 TN
480 LT
480 LTB
480 LWT
485 LWT
490 LWT

PLCE:
480 ATMC
VERTICAL TN
VERTICAL LWT

20SIN004

KIT BT EMITTER/RECEIVER PHOTOCELLS WITH
GALVANIZED FIXING BRACKETS
KIT FOTOCÉLULAS EMISOR/RICEVITORE BT
CON SUPPORTI DI FISSAGGIO ZINCATI
KIT FOTOCÉLULAS EMISOR/RECEPTOR BT CON
SOPORTES DE FIJACIÓN GALVANIZADOS
KIT PHOTOCÉLULES ÉMETTEUR ET RÉCEPTEUR
AVEC SUPPORTS DE FIXATION GALVANISÉS
KIT FOTOZELLE EMITTER/EMPFÄNGER
TIEFKÜHLUNG MIT FIXIERUNG

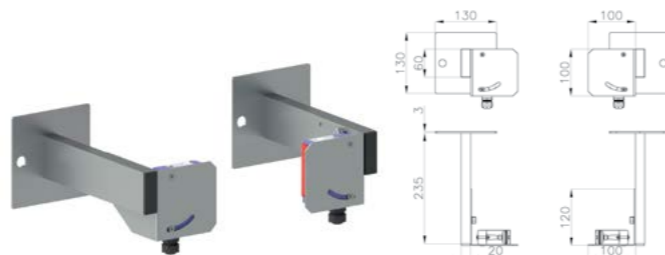


PLCL/PLCE:
480 PT
480 TN
480 LT
480 LTB
480 LWT
485 LWT
490 LWT

PLCE:
480 ATMC
VERTICAL TN
VERTICAL LWT

20SIN104

KIT BT EMITTER/RECEIVER PHOTOCELLS WITH
STAINLESS STEEL REINFORCED FIXING BRACKETS
KIT FOTOCÉLULAS EMISOR/RICEVITORE BT CON
SUPPORTI DI FISSAGGIO RINFORZATI INOX
KIT FOTOCÉLULAS EMISOR/RECEPTOR BT CON
SOPORTES DE FIJACIÓN REFORZADOS INOX
KIT PHOTOCÉLULES ÉMETTEUR ET RÉCEPTEUR BT
AVEC SUPPORTS DE FIXATION RENFORCÉS INOX
KIT FOTOZELLE EMITTER/EMPFÄNGER
TIEFKÜHLUNG MIT FIXIERUNG AUS EDELSTAHL

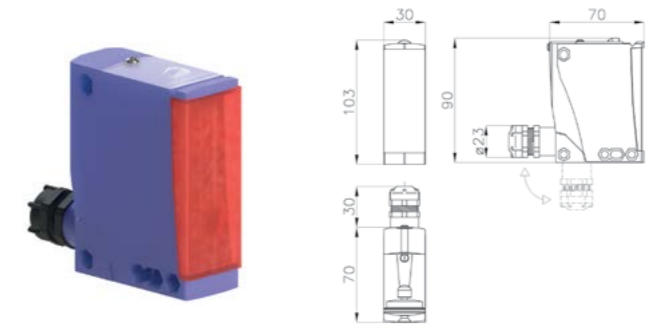


PLCL/PLCE:
480 PT
480 TN
480 LT
480 LTB
480 LWT
485 LWT
490 LWT

PLCE:
480 ATMC
VERTICAL TN
VERTICAL LWT

20SIN001

SECURITY PHOTOCCELL WITHOUT RETRO-REFLECTOR
FOTOCÉLULA DI SICUREZZA SENZA CATADIOTTRO
FOTOCÉLULA DE SEGURIDAD SIN CATADIÓPTICO
PHOTOCÉLULE DE SÉCURITÉ SANS CATADIOPTRÉ
SICHEREITS FOTOZELLE OHNE RÜCKSTRAHLER

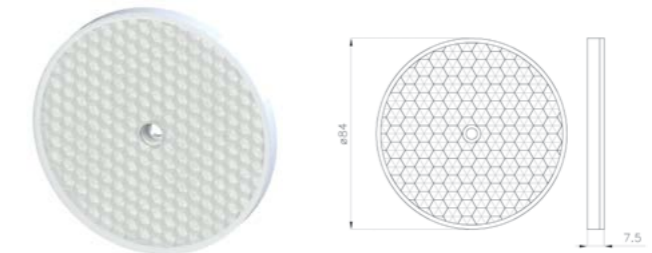


PLCL/PLCE:
480 PT
480 TN
480 LT
480 LTB
480 LWT
485 LWT
490 LWT

PLCE:
480 ATMC

20SIN103

ROUND REFLECTOR D.80
CATARIFRANGENTE ROTONDO D.80
REFLECTOR REDONDO D.80
RÉFLECTEUR ROND D.80
RUNDER RÜCKSTRAHLER D.80

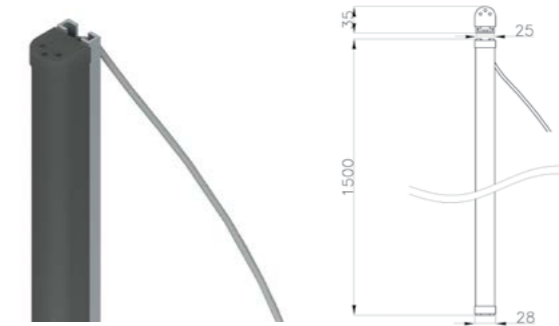


PLCL/PLCE:
480 PT
480 TN
480 LT
480 LTB
480 LWT
485 LWT
490 LWT

PLCE:
480 ATMC

20SIV024

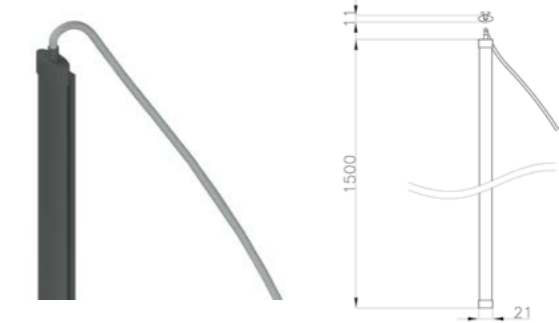
MAGNETIC SAFETY EDGE L=1500 8,2 kOhm -
CABLE L=5000 AUTOMATIC DOOR
COSTA MAGNETICA L=1500 8,2 kOhm -
CAVO L=5000 PORTA AUTOMÁTICA
BANDA DE SEGURIDAD MAGNÉTICA L=1500 8,2 kOhm -
CABLE L=5000 PUERTA AUTOMÁTICA
CÔTE MAGNÉTIQUE L=1500 8,2 kOhm -
CÂBLE L=5000 PORTE AUTOMATIQUE
MAGNETISCH L=1500 8,2 kOhm -
KABEL L=5000 AUTOMATISCHE TÜR



PLCL/PLCE:
480 PT
480 TN
480 LT
480 LTB
480 LWT
485 LWT
490 LWT

20SIV027

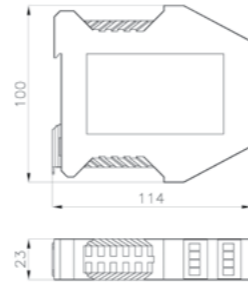
MAGNETIC SAFETY EDGE L=1500 8,2 kOhm -
CABLE L=5000 AUTOMATIC DOUBLE-BLADED DOOR
COSTA MAGNETICA L=1500 8,2 kOhm -
CAVO L=5000 PORTA AUTOMÁTICA A DUE ANTE
BANDA DE SEGURIDAD MAGNÉTICA L=1500 8,2 kOhm -
CABLE L=5000 PUERTA AUTOMÁTICA A DOS BÁTIENTES
CÔTE MAGNÉTIQUE L=1500 8,2 kOhm -
CÂBLE L=5000 PORTE AUTOMATIQUE A DEUX VANTAIL
MAGNETISCH L=1500 8,2 kOhm -
KABEL L=5000 FÜR ZWEIFLÜGEL-TÜR



PLCL/PLCE:
480 PT 2W
480 TN 2W
480 LT 2W
480 LTB 2W
480 LWT 2W
485 LWT 2W
490 LWT 2W

20SIV026

CONTROL UNIT FOR MAGNETIC SAFETY EDGE
8,2 kOhm
UNITÀ DI CONTROLLO PER COSTA MAGNETICA
8,2 kOhm
UNIDAD DE CONTROL DE BANDA DE SEGURIDAD
MAGNÉTICA 8,2 kOhm
UNITÉ DE CONTRÔLE POUR CÔTE MAGNÉTIQUE
8,2 kOhm
KONTROLLEINHEIT FÜR MAGNETISCHE SCHALTER
8,2 kOhm

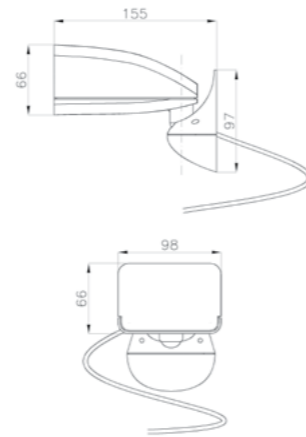


PLCL/PLCE:
480 PT
480 TN
480 LT
480 LTB
480 LWT
485 LWT
490 LWT

PLCE:
480 ATMC
VERTICAL TN
VERTICAL LWT

20COA103

RADAR FOR PLCL/PLCE AUTOMATION
RADAR PER AUTOMAZIONE PLCL/PLCE
RADAR PARA AUTOMATIZACIÓN PLCL/PLCE
RADAR POUR AUTOMATISATION PLCL/PLCE
SENSOR FÜR AUTOMATIK PLCL/PLCE

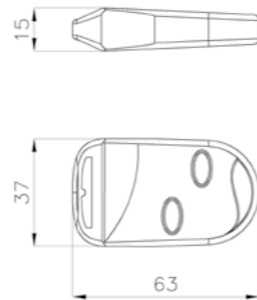


PLCL/PLCE:
480 PT
480 TN
480 LT
480 LTB
480 LWT
485 LWT
490 LWT

PLCE:
480 ATMC
VERTICAL TN
VERTICAL LWT

20COA700

DOUBLE CHANNEL TRANSMITTER 433MHz FOR
PLCL/PLCE AUTOMATION
TRASMETTITORE A 2 CANALI 433MHz PER
AUTOMAZIONE PLCL/PLCE
TRANSMISOR A 2 CANALES 433MHz PARA
AUTOMATIZACIÓN PLCL/PLCE
TRANSMETTEUR À 2 CANAUX 433MHz POUR
AUTOMATISATION PLCL/PLCE
SENDER MIT 2 KANÄLE 433MHz
FÜR AUTOMATION PLCE

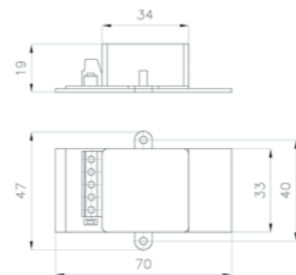
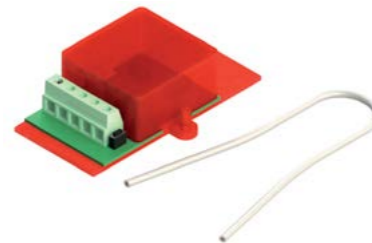


PLCL/PLCE:
480 PT
480 TN
480 LT
480 LTB
480 LWT
485 LWT
490 LWT

PLCE:
480 ATMC
VERTICAL TN
VERTICAL LWT

20COA701

ONE CHANNEL RECEIVER 433MHz FOR PLCL/PLCE
AUTOMATION
RICEVITORE AD 1 CANALE 433MHz
PER AUTOMAZIONE PLCL/PLCE
RECEPTOR A 1 CANAL 433MHz
PARA AUTOMATIZACIÓN PLCL/PLCE
RÉCEPTEUR À UN 1 CANAL 433MHz
POUR AUTOMATISATION PLCL/PLCE
EMPFÄNGER MIT 1 KANAL 433MHz
FÜR AUTOMATION PLCE



PLCL/PLCE:
480 PT
480 TN
480 LT
480 LTB
480 LWT
485 LWT
490 LWT

PLCE:
480 ATMC
VERTICAL TN
VERTICAL LWT

**19CAS001
20065**

SPIRAL CABLE BLACK 3 X 1,5 mm² EXTENSION L=5000
CAVO A SPIRALE NERO 3 X 1,5 mm² SVILUPPO L=5000
CABLE A ESPIRAL NEGRO 3 X 1,5 mm² DESARROLLO
L=5000
CÂBLE À SPIRALE NOIR 3 X 1,5 mm² DÉVELOPPEMENT
L=5000
SPIRALFÖRMIGES KABEL SCHWARZ 3 X 1,5 mm²
ABWICKLUNG L=5000

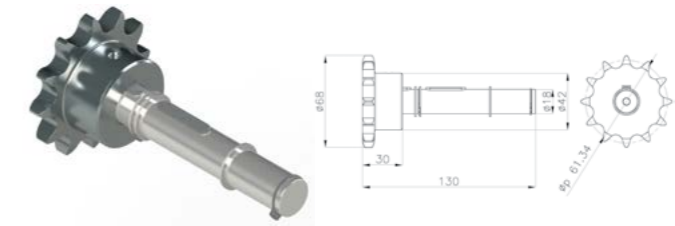


PLCL/PLCE:
480 PT
480 TN
480 LT
480 LTB
480 LWT
485 LWT
490 LWT

PLCE:
VERTICAL TN
VERTICAL LWT

20GMV012

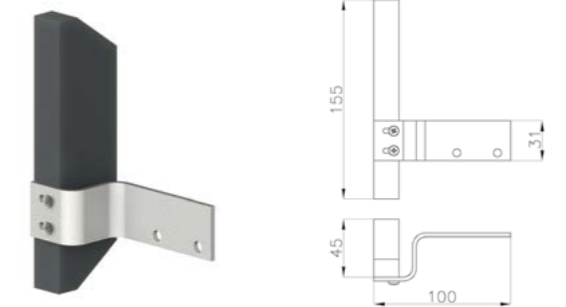
SLOW SHAFT WITH SPROCKET-WHEEL 10B1 - Z12 FOR
PLCE AUTOMATIC VERTICAL SLIDING DOOR
ALBERO LENTO CON PIGNONE 10B1 - Z12 PER PORTA
SCORREVOLE VERTICALE AUTOMATICA PLCE
EJE LENTO CON PIÑÓN 10B1 - Z12 PARA PUERTA
CORREDERA VERTICAL AUTOMATICA PLCE
ARBRE LENT AVEC PIGNON 10B1-Z12 POUR PORTE
COULISSANTE VERTICALE AUTOMATIQUE PLCE
LANGSAME WELLE MIT RITZEL 10B1 - Z12 FÜR
VERTIKALE SCHIEBETÜR AUTOMATION PLCE



PLCE:
VERTICAL TN
VERTICAL LWT

20TRA715

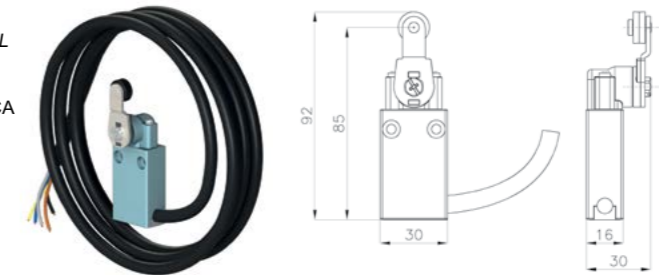
LIMIT BLOCK FOR PLCE AUTOMATIC VERTICAL
SLIDING DOOR
BLOCCO PER FINECORSA PER PORTA SCORREVOLE
VERTICALE AUTOMATICA PLCE
BLOQUE FINALES DE CARRERA PARA PUERTA
CORREDERA VERTICAL AUTOMATICA PLCE
BLOC POUR FIN DE COURSE POUR PORTE
COULISSANTE VERTICALE AUTOMATIQUE PLCE
SWITCH-BLOCK FÜR VERTIKALE SCHIEBETÜR
AUTOMATION PLCE



PLCE:
VERTICAL TN
VERTICAL LWT

20GHI003

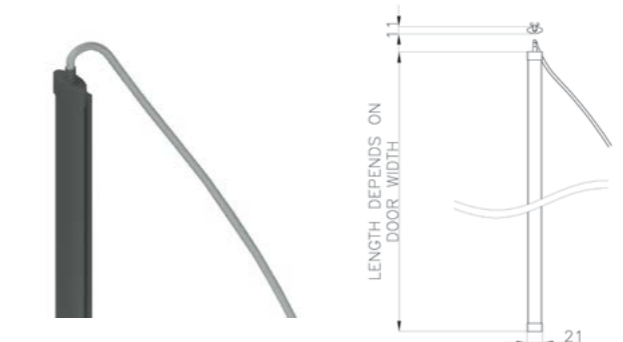
WIRED LIMIT POSITION SWITCH FOR AUTOMATIC VERTICAL
SLIDING DOOR
MICROINTERRUPTORE DI POSIZIONE CABLATO PER FINE
CORSO PER PORTA SCORREVOLE VERTICALE AUTOMATICA
MICROINTERRUPTOR DE POSICIÓN CABLADO PARA
FINALES DE CARRERA PARA PUERTA CORREDERA
VERTICAL AUTOMATICA
MICRO-INTERRUPTEUR DE POSITION CÂBLÉ POUR
FIN COURSE POUR PORTE COULISSANTE VERTICALE
AUTOMATIQUE
VERDRAHTETER STELLUNGSMIKROSCHALTER FÜR
ENDSCHALTER FÜR VERTIKALE AUTOMATISCHE SCHIEBETÜR



PLCE:
VERTICAL TN
VERTICAL LWT

20SIV025

MAGNETIC SAFETY EDGE 8,2 kOhm - CABLE L=5000
FOR AUTOMATIC VERTICAL SLIDING DOOR
COSTA MAGNETICA 8,2 kOhm - CAVO L=5000 PER
PORTA SCORREVOLE VERTICALE AUTOMATICA
BANDA DE SEGURIDAD MAGNÉTICA 8,2 kOhm - CABLE
L=5000 PARA PUERTA CORREDERA VERTICAL
AUTOMATICA
CÔTE MAGNÉTIQUE 8,2 kOhm - CÂBLE L=5000 POUR
PORTE COULISSANTE VERTICALE AUTOMATIQUE
MAGNETISCH 8,2 KOHM - KABEL L=5000
FÜR VERTIKALE AUTOMATISCHE SCHIEBETÜR



PLCE:
VERTICAL TN
VERTICAL LWT

TECHNICAL INFORMATION

INFORMAZIONI TECNICHE
INFORMACIONES TÉCNICAS
INFORMATIONS TECHNIQUES
TECHNISCHE INFORMATIONEN

Page

- 124** DOOR FEATURES / CARATTERISTICHE PORTA / CARACTERÍSTICAS DE PUERTAS
CARACTÉRISTIQUES DES PORTES / MERKMALE DER TÜREN
- 125** DOOR OPENING DIRECTION / SENSO DI APERTURA / SENTIDO DE ABERTURA
SENS D'OUVERTURE / ÖFFNUNGSRICHTUNG
- 126** FRAME TYPES / TIPOLOGIE DI TELAIO / TIPOS DE MARCOS / TYPES D'HUISSERIES
RAHMENTYPEN
- 128** THRESHOLD TYPES / TIPOLOGIE DI SOGLIA / TIPOS DE PISADERAS / TYPES DE SEUIL
SCHWELLENTYPEN
- 130** SLIDING SYSTEMS / SISTEMI DI SCORRIMENTO / SISTEMAS CORREDERAS
SYSTÈMES COULISSANTS / SCHIEBESYSTEME

BLADE THICKNESS SPESSORE BATTENTE (mm)	HEATING CABLE - BLADE RESISTENZA - PORTA	HEATING CABLE - FRAME RESISTENZA - TELAIO	TEMPERATURE RANGE INTERVALLO DI TEMPERATURA	TWO WINGS VERSION VERSIONE A DUE ANTE	AUTOMATION KIT OPTION OPZIONE KIT AUTOMAZIONE	PAGE
--	--	--	--	--	--	------

SEMI-INSULATING

SERVICE DOOR	40	NO	NO	> 0°C	●	-	136
TO & FRO	40	NO	NO	> 0°C	●	-	144

HINGED

500 TN	68	NO	NO	> 0°C	●	-	148
540 TN	68	NO	NO	> 0°C	-	-	156
GV 5	68	NO	NO	> 0°C	●	-	160
603 LWT	92	YES	NO	UP TO -20°C	●	-	164
604 LWT	121	YES	NO	UP TO -25°C	●	-	172
740 LWT	121	NO	YES	UP TO -30°C	●	-	176
745 LWT	121	YES	YES	UP TO -40°C	-	-	180
750 LWT	151	YES	YES	UP TO -45°C	-	-	184

SLIDING

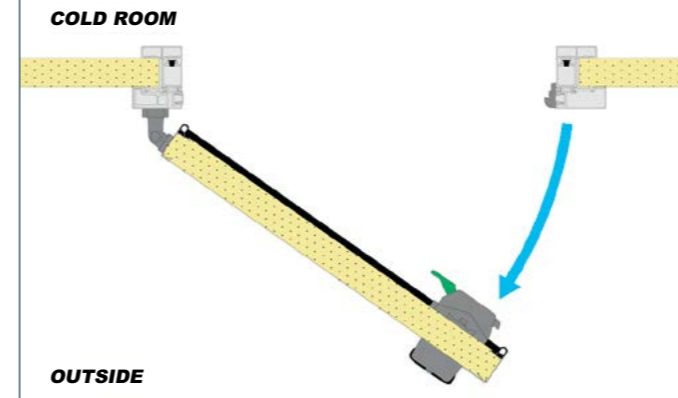
240 AM	68	NO	NO	> 0°C	-	-	188
240 S	68	NO	NO	> 0°C	-	-	192
360 LS	68	NO	NO	> 0°C	-	-	196
360 FLS	68	NO	NO	> 0°C	-	-	200
450 GV	92	NO	NO	> 0°C	-	-	204
480 PGV	68	NO	NO	> 0°C	-	-	208
480 ATMC	92	NO	NO	> 0°C	-	PLCE	-
480 ST	68	NO	NO	> 0°C	●	-	212
480 PT	68	NO	NO	> 0°C	●	PLCL / PLCE	216
480 TN	92	NO	NO	UP TO -5°C	●	PLCL / PLCE	220
480 LT	92	YES	NO	UP TO -20°C	●	PLCL / PLCE	228
480 LTB	121	YES	NO	UP TO -25°C	●	PLCL / PLCE	232
480 LWT	121	NO	YES	UP TO -30°C	●	PLCL / PLCE	236
485 LWT	121	YES	YES	UP TO -40°C	-	PLCL / PLCE	240
490 LWT	151	YES	YES	UP TO -45°C	-	PLCL / PLCE	244
VERTICAL TN	92	NO	NO	UP TO -5°C	-	PLCE	248
VERTICAL LWT	121*	NO	YES	UP TO -30°C	-	PLCE	252

● = Available / Disponibile

- = Not available / Non disponibile

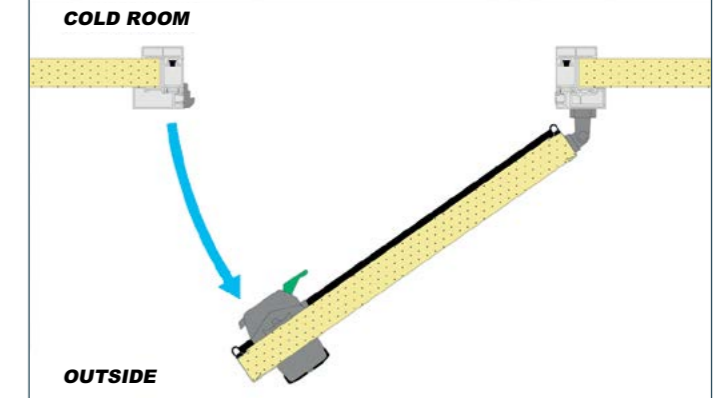
* = OPTION: 151 mm thick blade (UP TO -45°C) / Battente di spessore 151 mm (FINO A -45°C)

LEFT OPENING HINGED DOOR



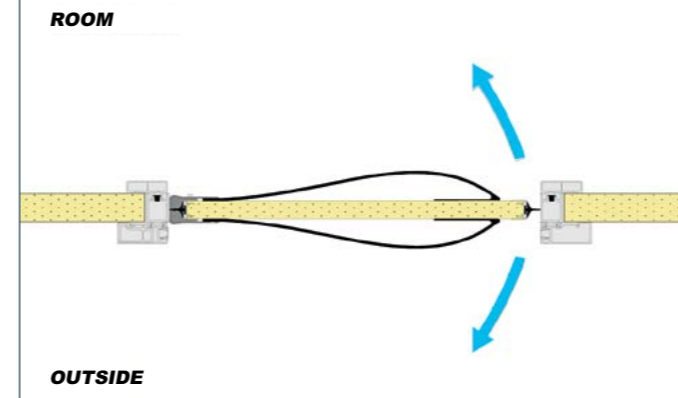
APERTURA SINISTRA PORTA SU CERNIERE
APERTURA IZQUIERDA PUERTA BATIENTE
OUVERTURE GAUCHE PORTE PIVOTANTE
LINKS ÖFFNUNGSRICHTUNG DREHTÜR

RIGHT OPENING HINGED DOOR



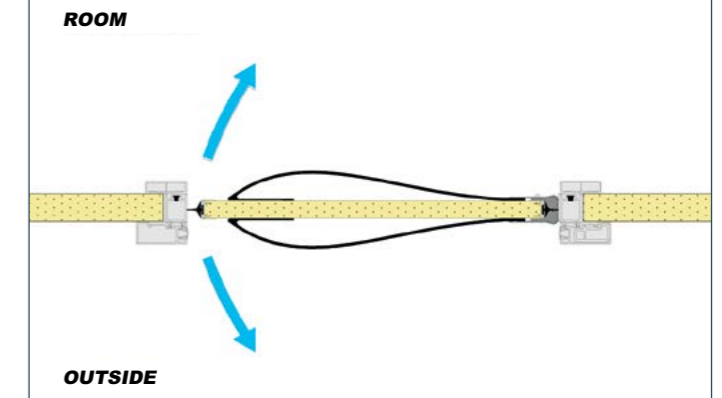
APERTURA DESTRA PORTA SU CERNIERE
APERTURA DERECHA PUERTA BATIENTE
OUVERTURE DROITE PORTE PIVOTANTE
RECHTS ÖFFNUNGSRICHTUNG DREHTÜR

LEFT OPENING TO & FRO DOOR



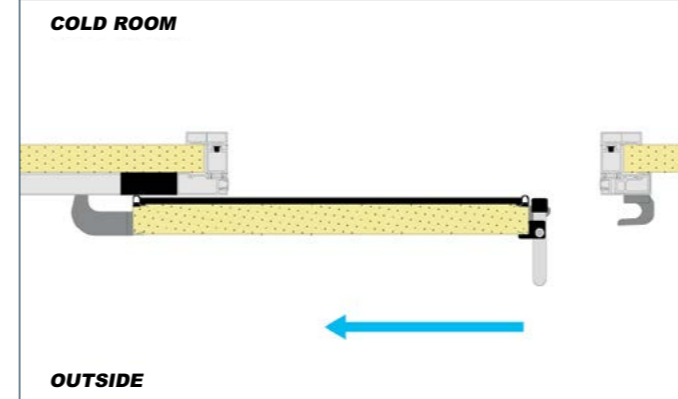
APERTURA SINISTRA PORTA VA E VIENI
APERTURA IZQUIERDA PUERTA VAIVÉN
OUVERTURE GAUCHE PORTE VA ET VIENT
LINKS ÖFFNUNGSRICHTUNG PENDELTÜR

RIGHT OPENING TO & FRO DOOR



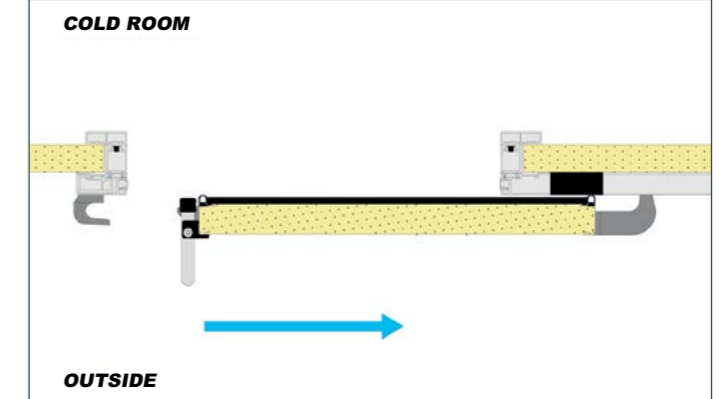
APERTURA DESTRA PORTA VA E VIENI
APERTURA DERECHA PUERTA VAIVÉN
OUVERTURE DROITE PORTE VA ET VIENT
RECHTS ÖFFNUNGSRICHTUNG PENDELTÜR

LEFT OPENING SLIDING DOOR

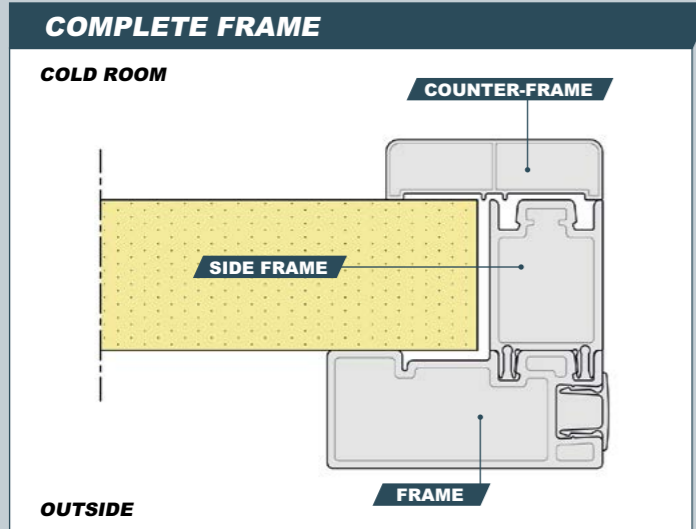


APERTURA SINISTRA PORTA SCORREVOLE
APERTURA IZQUIERDA PUERTA CORREDERA
OUVERTURE GAUCHE PORTE COULISSANTE
LINKS ÖFFNUNGSRICHTUNG SCHIEBETÜR

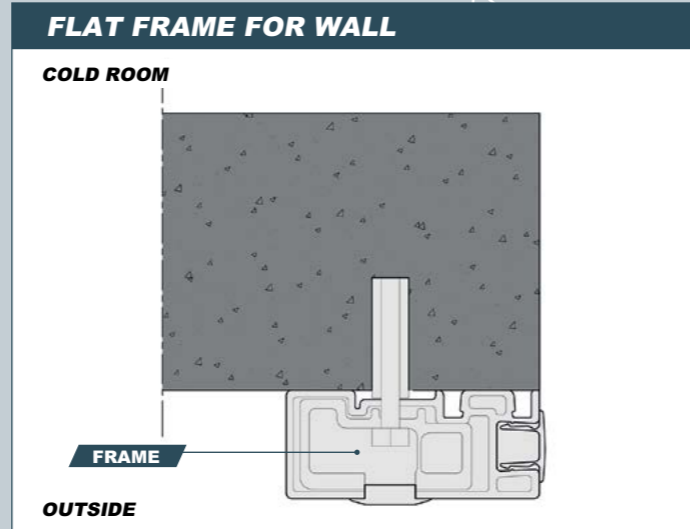
RIGHT OPENING SLIDING DOOR



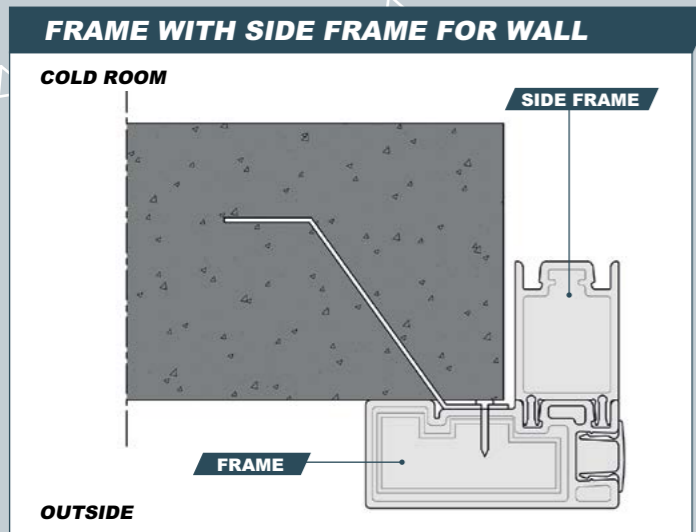
APERTURA DESTRA PORTA SCORREVOLE
APERTURA DERECHA PUERTA CORREDERA
OUVERTURE DROITE PORTE COULISSANTE
RECHTS ÖFFNUNGSRICHTUNG SCHIEBETÜR



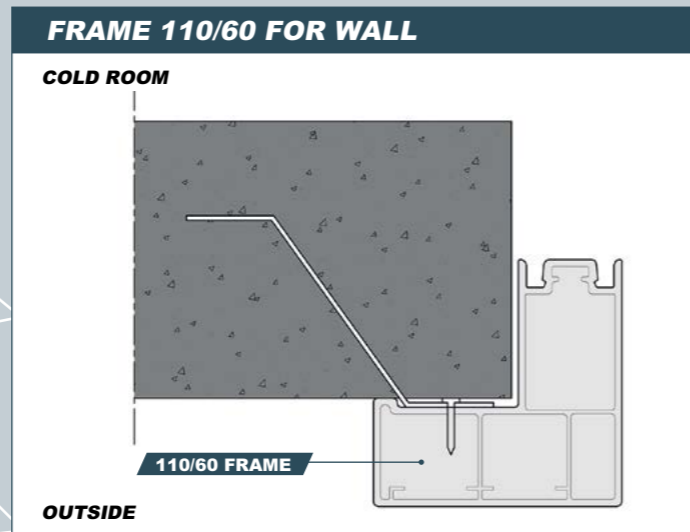
TELAIO COMPLETO
MARCO COMPLETO
HUISSERIE INTÉGRALE
VOLLRAHMEN



TELAIO PIATTO PER MURATURA
MARCO PLANO SOBRE MURO
HUISSERIE PLATE POUR MAÇONNERIE
FLACHRAHMEN FÜR MAUERWERK



TELAIO CON COSTA PER MURATURA
MARCO CON PERFIL (ESPESOR) SOBRE MURO
HUISSERIE AVEC CÔTÉS POUR MAÇONNERIE
SEITENRAHMEN FÜR MAUERWERK



TELAIO 110/60 PER MURATURA
MARCO 110/60 SOBRE MURO
HUISSERIE 110/60 POUR MAÇONNERIE
SEITENRAHMEN 110/60 FÜR MAUERWERK

COMPLETE FRAME TELAIO COMPLETO				FRAME FOR WALL / TELAIO PER MURATURA					
JOINT GIUNTO		WELDED TERMOSALDATO		FLAT / PIATTO			WITH SIDE FRAME / CON COSTA		
N/C	C	N/C		JOINT GIUNTO	WELDED TERMOSALDATO		JOINT GIUNTO	WELDED TERMOSALDATO	
N/C	C	N/C		N/C	C	N/C	N/C	C	N/C

SEMI-INSULATING

SERVICE DOOR	DEDICATED FRAME TELAIO DEDICATO			DEDICATED FRAME TELAIO DEDICATO			DEDICATED FRAME TELAIO DEDICATO		
TO & FRO*	STANDARD	●	-	-	-	-	STANDARD	●	-

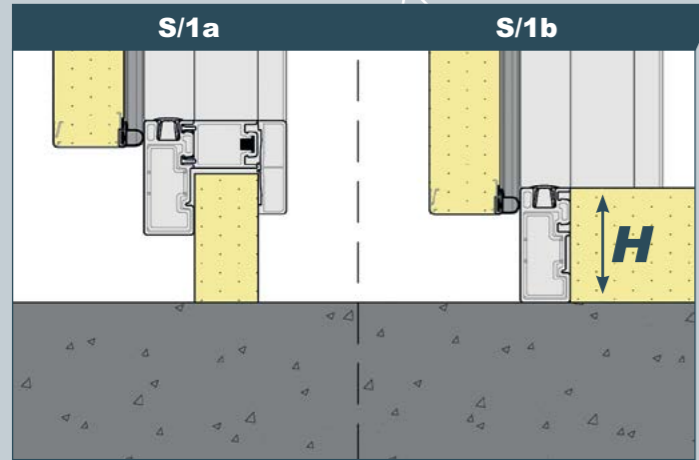
HINGED

500 TN	●	●	STANDARD	●	●	STANDARD	●	●	STANDARD
540 TN	●	●	STANDARD	●	●	STANDARD	●	●	STANDARD
GV 5	●	●	STANDARD	●	●	STANDARD	●	●	STANDARD
603 LWT	●	●	STANDARD	●	●	STANDARD	●	●	STANDARD
604 LWT	●	●	STANDARD	●	●	STANDARD	●	●	STANDARD
740 LWT	●	●	STANDARD	●	●	STANDARD	●	●	STANDARD
745 LWT	●	●	STANDARD	●	●	STANDARD	●	●	STANDARD
750 LWT	●	●	STANDARD	●	●	STANDARD	●	●	STANDARD

SLIDING

240 AM*	-	-	-	-	-	-	-	-	-
240 S*	-	-	-	-	-	-	-	-	-
360 LS*	-	-	-	-	-	-	-	-	-
360 FLS	●	●	STANDARD	●	●	STANDARD	●	●	STANDARD
450 GV	●	●	STANDARD	●	●	STANDARD	●	●	STANDARD
480 PGV	●	●	STANDARD	●	●	STANDARD	●	●	STANDARD
480 ATMC	●	●	STANDARD	●	●	STANDARD	●	●	STANDARD
480 ST*	-	-	-	-	-	-	-	-	-
480 PT	●	●	STANDARD	●	●	STANDARD	●	●	STANDARD
480 TN	●	●	STANDARD	●	●	STANDARD	●	●	STANDARD
480 LT	●	●	STANDARD	●	●	STANDARD	●	●	STANDARD
480 LTB	●	●	STANDARD	●	●	STANDARD	●	●	STANDARD
480 LWT	●	●	STANDARD	●	●	STANDARD	●	●	STANDARD
485 LWT	●	●	STANDARD	●	●	STANDARD	●	●	STANDARD
490 LWT	●	●	STANDARD	●	●	STANDARD	●	●	STANDARD
VERTICAL TN	●	●	STANDARD	●	●	STANDARD	●	●	STANDARD
VERTICAL LWT	●	●	STANDARD	●	●	STANDARD	●	●	STANDARD

● = Available / Disponibile
 - = Not available / Non disponibile
 C = Covered frame / Telaio rivestito
 N/C = Uncovered frame / Telaio non rivestito
 * = OPTION: "C" profile / Profilo a "C"



STEP THRESHOLD WITH FOUR SIDE FRAME

SOGLIA A GRADINO CON TELAIO SU QUATTRO LATI

PISADERA A ESCALÓN CON MARCO EN 4 LADOS

SEUIL À MARCHE

TRITTSCHWELLE

AUF DEM RAHMEN 4 SEITEN

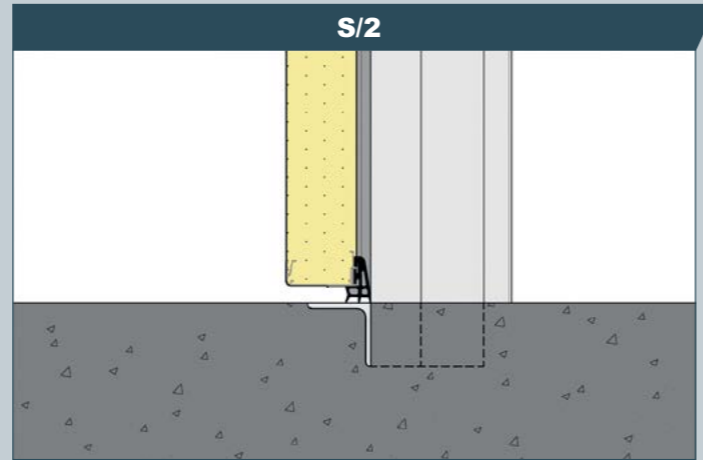
STEP THRESHOLD WITH VARIABLE HEIGHT

SOGLIA A GRADINO CON ALTEZZA VARIABILE

PISADERA A ESCALÓN CON ALTURA VARIABLE

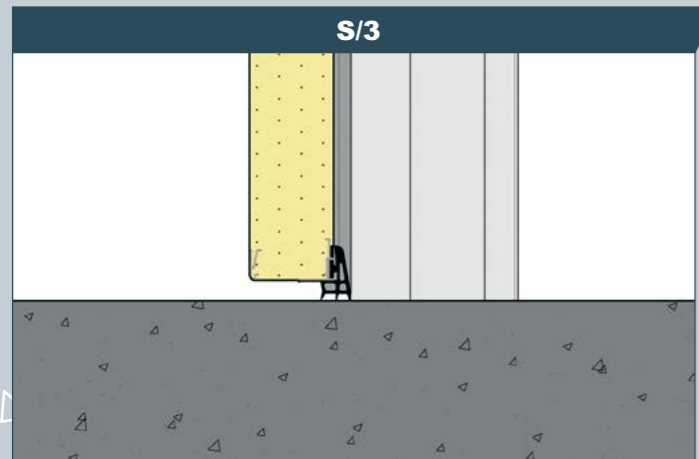
SEUIL À MARCHE AVEC HAUTEUR VARIABLE

TRITTSCHWELLE MIT VERÄNDERLICHER HÖHE



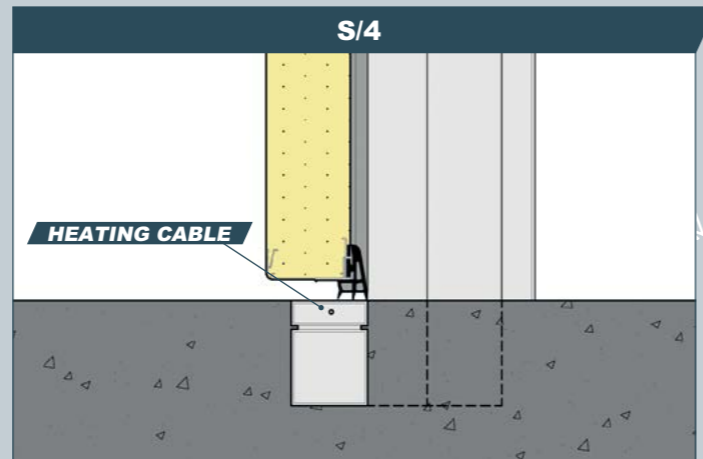
CONCRETE FLOOR LEVEL THRESHOLD

SOGLIA A FILO PAVIMENTO IN MURATURA
PISADERA A RAS DE PISO SOBRE MURO
SEUIL À FIL PLANCHER SUR MAÇONNERIE
OHNE SCHWELLE IM MAUERWERK



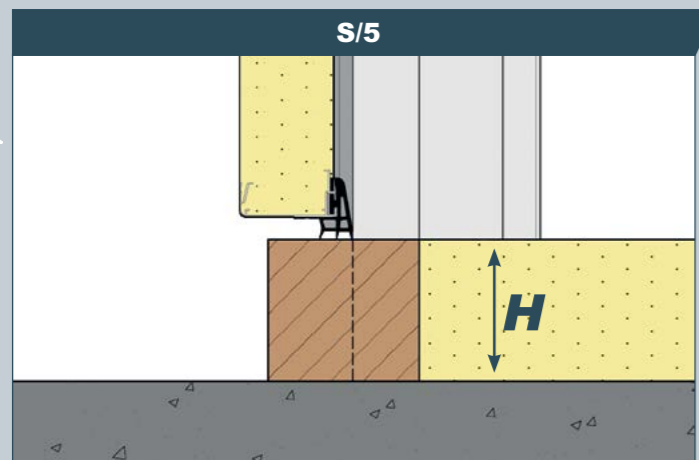
FLOOR LEVEL THRESHOLD

SOGLIA A FILO PAVIMENTO
PISADERA A RAS DE PISO
SEUIL À FIL PLANCHER
OHNE SCHWELLE



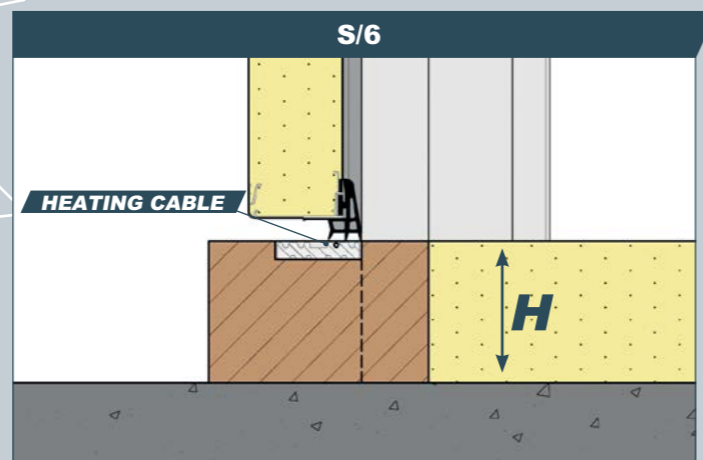
THRESHOLD FOR LOW TEMPERATURE

SOGLIA PER BASSA TEMPERATURA
PISADERA PARA BAJA TEMPERATURA
SEUIL POUR BASSE TEMPÉRATURE
TIEFKÜHL-TEMPERATUR-SCHWELLE



STAINLESS STEEL COVERED THRESHOLD

SOGLIA A SPESSORE RIVESTITA INOX
PISADERA ESPESA REVISTIDA EN INOX
SEUIL REVETUE EN INOX
VERKLEIDETE SCHWELLE AUS EDELSTAHL



STAINLESS STEEL COVERED THRESHOLD FOR LOW TEMPERATURE

SOGLIA A SPESSORE RIVESTITA INOX PER BASSA TEMPERATURA
PISADERA ESPESA REVISTIDA EN INOX PARA BAJA TEMPERATURA
SEUIL REVETUE EN INOX POUR BASSE TEMPÉRATURE
VERKLEIDETE SCHWELLE FÜR TIEFKÜHLTEMPERATUR

	S/1	S/2	S/3	S/4	S/5	S/6
--	-----	-----	-----	-----	-----	-----

SEMI-INSULATING

SERVICE DOOR	●	-	STANDARD	-	-	-
TO & FRO	●	-	STANDARD	-	-	-

HINGED

500 TN	●	●	STANDARD	-	●	-
540 TN	●	●	STANDARD	-	●	-
GV 5	●	●	STANDARD	-	●	-
603 LWT	●	●	STANDARD	-	●	-
604 LWT	●	●	STANDARD	-	●	-
740 LWT	●	-	-	STANDARD	-	●
745 LWT	●	-	-	STANDARD	-	●
750 LWT	●	-	-	STANDARD	-	●

SLIDING

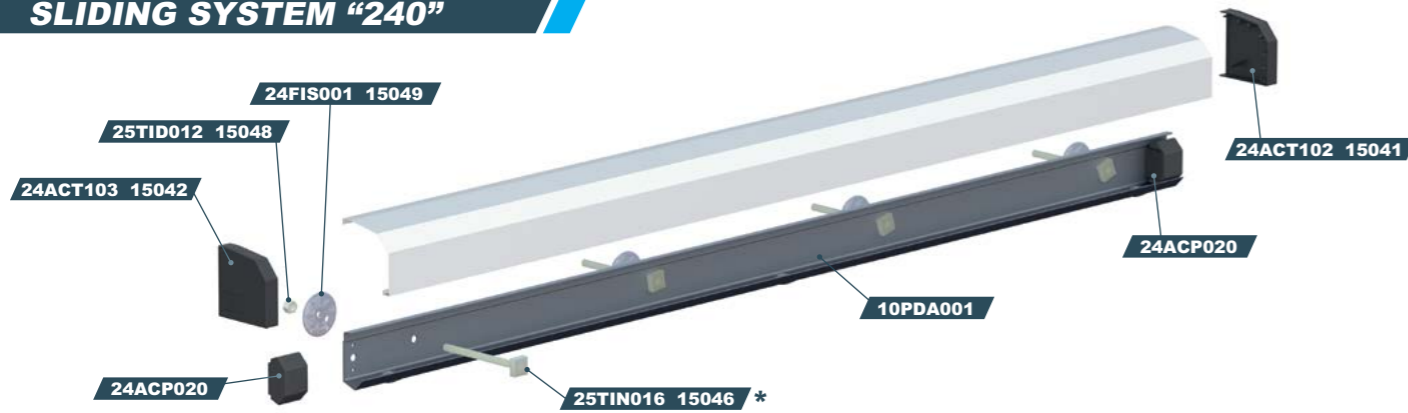
240 AM	-	-	STANDARD	-	-	-
240 S	-	-	STANDARD	-	-	-
360 LS	-	-	STANDARD	-	-	-
360 FLS	-	-	STANDARD	-	-	-
450 GV	-	●	STANDARD	-	●	-
480 PGV	-	●	STANDARD	-	●	-
480 ATMC	-	STANDARD*	-	-	-	-
480 ST	-	-	STANDARD	-	-	-
480 PT	-	●	STANDARD	-	●	-
480 TN	-	●	STANDARD	-	●	-
480 LT	-	●	STANDARD	-	●	-
480 LTB	-	●	STANDARD	-	●	-
480 LWT	-	-	-	STANDARD	-	●
485 LWT	-	-	-	STANDARD	-	●
490 LWT	-	-	-	STANDARD	-	●
VERTICAL TN	●	●	STANDARD	-	●	-
VERTICAL LWT	●	-	-	STANDARD	-	●

● = Available / Disponibile

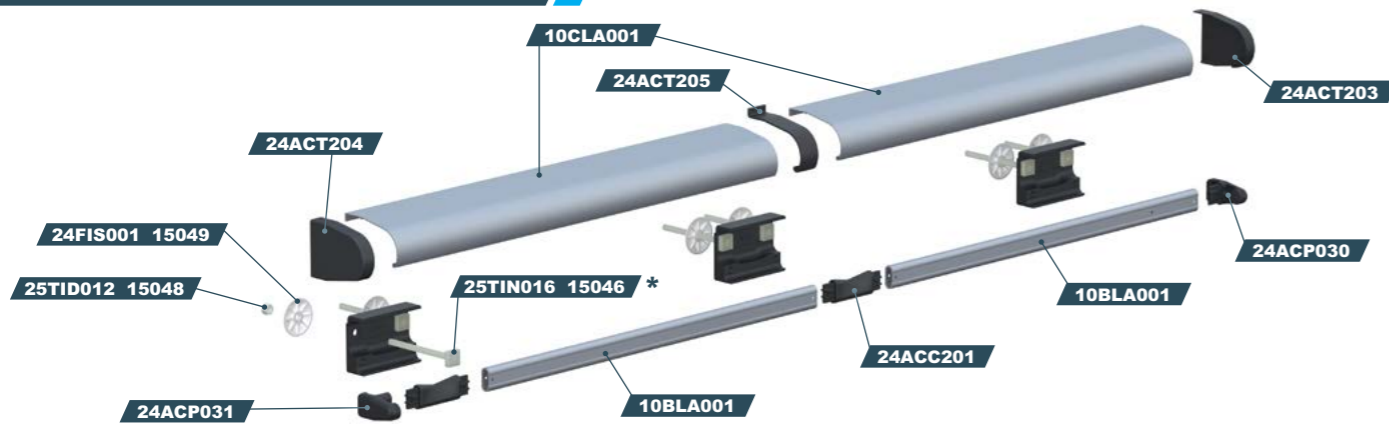
- = Not available / Non disponibile

* = Dedicated threshold / Soglia dedicata

SLIDING SYSTEM "240"



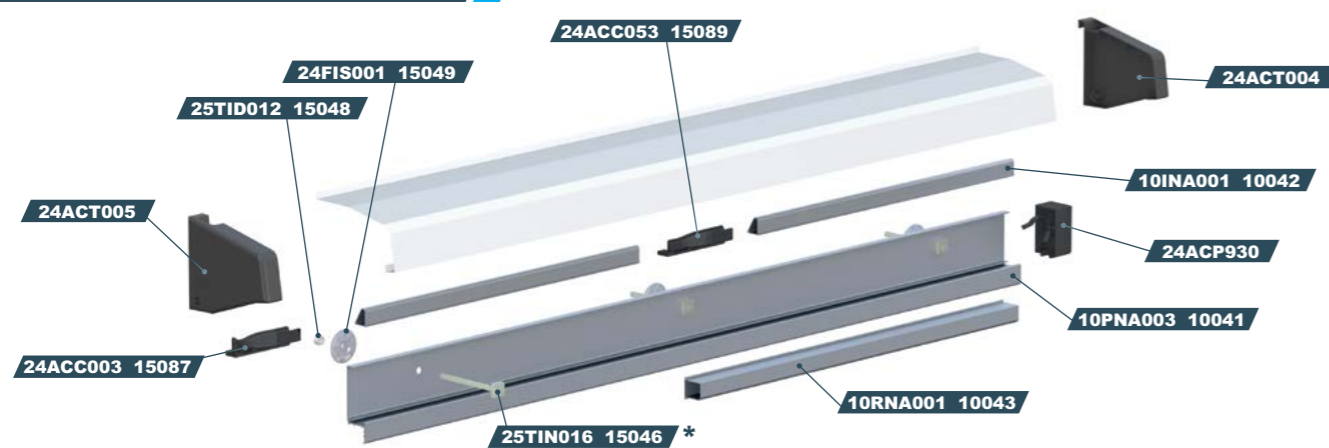
SLIDING SYSTEM "LIGHT"



SLIDING SYSTEM "MIRROR"



SLIDING SYSTEM "CLASSIC"



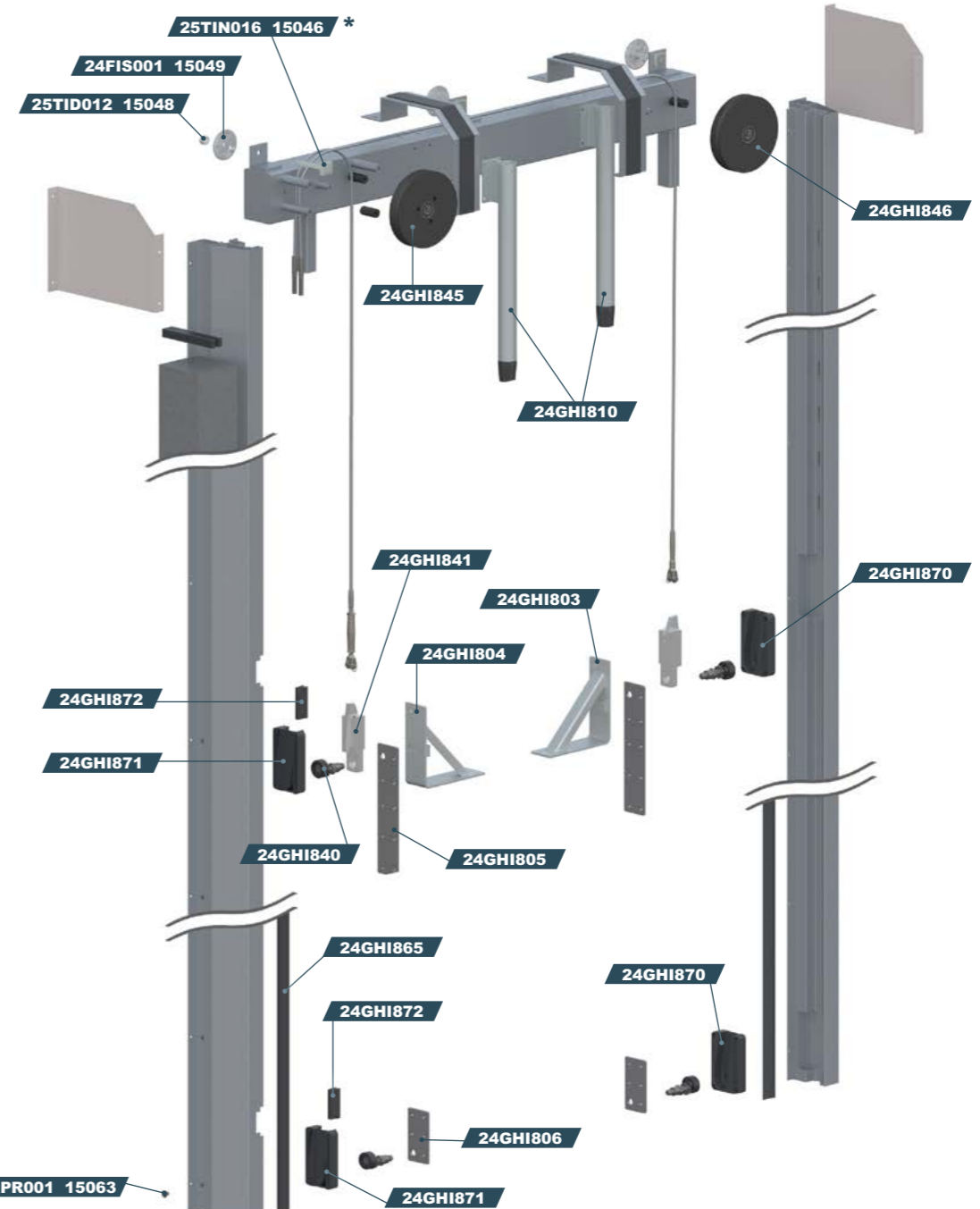
* = Available in different versions (dimension / side / opening sense / material / feature)
= Disponibile in diverse versioni (dimensione / lato / senso di apertura / materiale / caratteristica)

12ABC001 For more details click on the product code / Per maggiori dettagli clicca sul codice prodotto

LOWER GUIDE SYSTEMS



SLIDING SYSTEM "VERTICAL"



12ABC001 For more details click on the product code / Per maggiori dettagli clicca sul codice prodotto

	SLIDING SYSTEM / SISTEMA DI SCORRIMENTO					AUTOMATION KIT	
	240	LIGHT	MIRROR	CLASSIC	VERTICAL	PLCL	PLCE
240 AM*	STANDARD	-	-	-	-	-	-
240 S**	STANDARD	-	-	-	-	-	-
360 LS**	-	STANDARD	-	-	-	-	-
360 FLS	-	STANDARD	-	-	-	-	-
450 GV	-	-	STANDARD	●	-	-	-
480 PGV	-	-	STANDARD	●	-	-	-
480 ATMC	-	-	STANDARD	●	-	-	●
480 ST**	-	-	STANDARD	●	-	-	-
480 PT	-	-	STANDARD	●	-	●	●
480 TN	-	-	STANDARD	●	-	●	●
480 LT	-	-	STANDARD	●	-	●	●
480 LTB	-	-	STANDARD	●	-	●	●
480 LWT	-	-	STANDARD	●	-	●	●
485 LWT	-	-	STANDARD	●	-	●	●
490 LWT	-	-	STANDARD	●	-	●	●
VERTICAL TN	-	-	-	-	STANDARD	-	●
VERTICAL LWT	-	-	-	-	STANDARD	-	●

● = Available / Disponibile

- = Not available / Non disponibile

* = Internal guide 240 AM / Guida interna 240 AM

** = Floor lower guide only / Solo con guida inferiore a pavimento

DOOR MODELS EXPLODED-VIEW DRAWINGS

VISTE ESPLOSE DEI MODELLI PORTA
VISTA DE DESPIECE MODELOS PUERTA
VUES EN ÉCLATÉ DE MODELES DE PORTE
EXPLOSIONSZEICHNUNGEN DER TÜRMODELLE

SEMI-INSULATING

Page	
136	SERVICE DOOR
144	TO & FRO

HINGED

Page	
148	500 TN
156	540 TN
160	GV 5
164	603 LWT
172	604 LWT
176	740 LWT
180	745 LWT
184	750 LWT

SLIDING

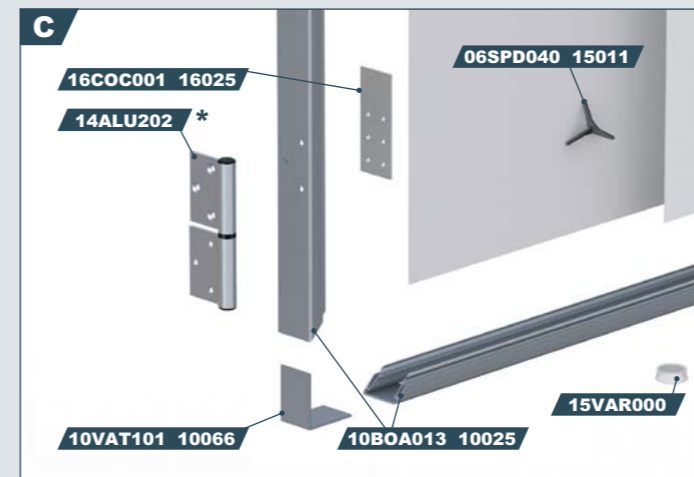
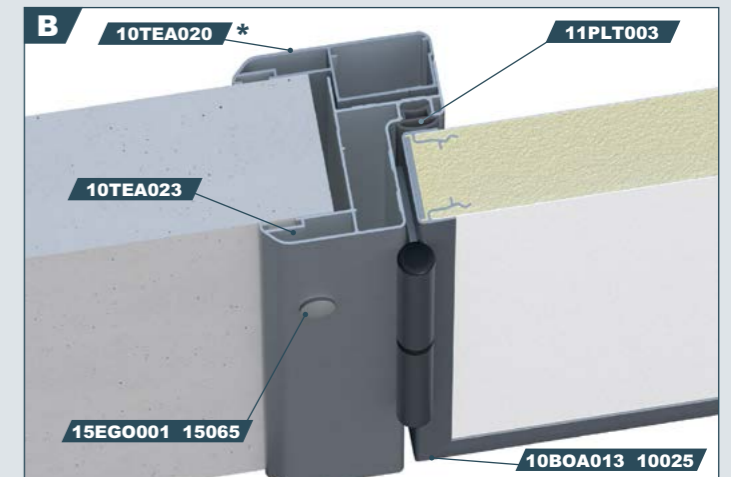
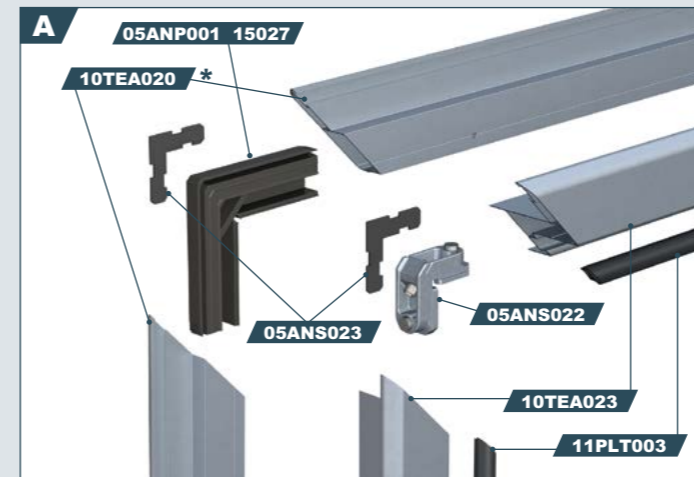
Page	
188	240 AM
192	240 S
196	360 LS
200	360 FLS
204	450 GV
208	480 PGV
212	480 ST
216	480 PT
220	480 TN
228	480 LT
232	480 LTB
236	480 LWT
240	485 LWT
244	490 LWT
248	VERTICAL TN
252	VERTICAL LWT
256	PLCL AUTOMATION KIT
260	PLCE AUTOMATION KIT



	CODE	DESCRIPTION	BOX	PAGE	
BLADE	06SPD040 15011	PLASTIC STIFF SPACER FOR DOOR TO FOAM THK=40	C	100	
	10BOA013 10025	ANODIZED ALUMINIUM BLADE EDGE PROFILE SERVICE DOOR THK=40 BAR L=7000	B	8	
	10BOA018 10085	ANODIZED ALUMINIUM PROFILE FOR LOWER GASKET AUTOMATIC DOOR THK=40 BAR L=6000	OPT.	8	
	10VAT101 10066	INTERNAL ANGULAR REINFORCEMENT FOR SERVICE DOOR BLADE EDGE	C	100	
	12VAR301	LOCK CASE FOR SERVICE DOOR	D	69	
	13ALT150	DOOR CLOSER WITH ADJUSTABLE CLOSING FORCE SILVER COMPLETE WITH ARM	OPT.	70	
	13TUC116	NICKEL-PLATED BRASS CYLINDER 25-10-25 WITH DIFFERENT KEY FOR SERVICE DOOR	D	68	
	13TUC202 13018	FREE/BUSY LOCK FOR SERVICE DOOR	OPT.	69	
	13TUC203 13013	LOCK FOR SERVICE DOOR	D	68	
	13TUC304	FREE/BUSY ALUMINIUM THUMB TURN LOCK SILVER Ø 50	OPT.	69	
	13TUC604*	AUTOMATIC LOWER GASKET FOR SERVICE DOOR L=830	OPT.	29	
	13TUF149	ANODIZED ALUMINIUM HANDLE ON ROSE YALE Ø 50 FOR SERVICE DOOR	D	68	
	14ALU202*	ALUMINIUM HINGE DOOR THK.=40 LEFT	C	44	
	15VAR000	NYLON PLUG Ø 27 FOR FOAMED DOOR BLADES	C	96	
	16COC001 16025	GALVANIZED STEEL PLATE FOR HINGE FIXING FOR SERVICE DOOR	C	101	
	17OLR001 17013	PORHOLE CLEAR PET THK=4 OVAL 250X750 WITH GASKET AND TENSIONER FOR DOOR THK=40	OPT.	86	
	FRAME	05ANP001 15027	PLASTIC ANGLE FOR COUNTERFRAME JOIN	A	103
		05ANS022	ALUMINIUM ANGLE FOR SERVICE DOOR FRAME JOIN	A	101
		05ANS023	PLASTIC ANGLE FOR SERVICE DOOR FRAME AND COUNTERFRAME JOIN	A	101
10TEA020*		ANODIZED ALUMINIUM COUNTERFRAME PROFILE SERVICE DOOR H=60 BAR L=6500	A	9	
10TEA023		ANODIZED ALUMINIUM FRAME PROFILE SERVICE DOOR BAR L=6500	A	8	
11PLT003		PERIMETRAL GASKET FOR SERVICE DOOR (V2.0)	A	28	
12VAR300 15067		WATERPROOF HANDLE STRIKE PLATE FOR SERVICE DOOR	D	69	
15EGO001 15065		PLUG Ø 11 GREY RAL7004 FOR REVERSIBLE CAM HINGE	B	94	

* = Available in different versions (dimension / side / opening sense / material / feature)
 = Disponibile in diverse versioni (dimensione / lato / senso di apertura / materiale / caratteristica)

12ABC001 For more details click on the product code / Per maggiori dettagli clicca sul codice prodotto



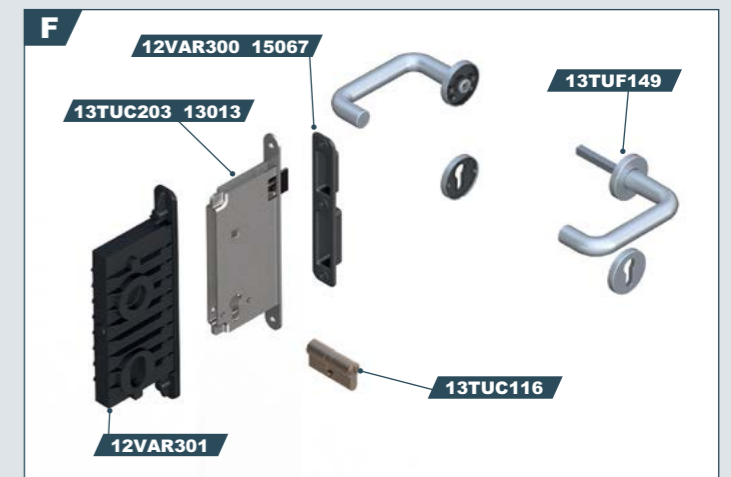
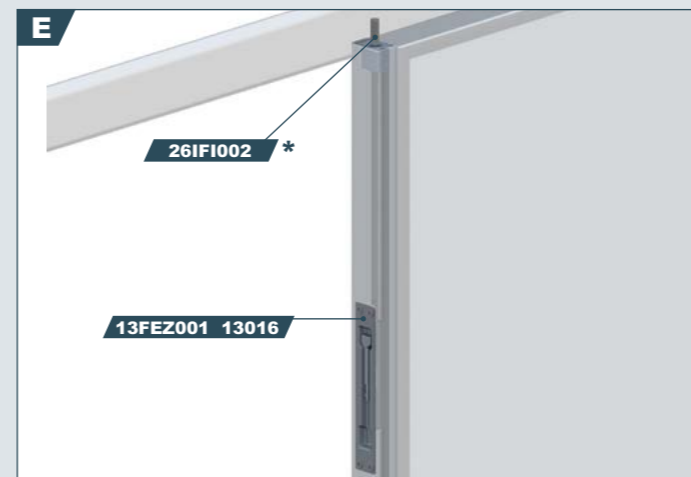
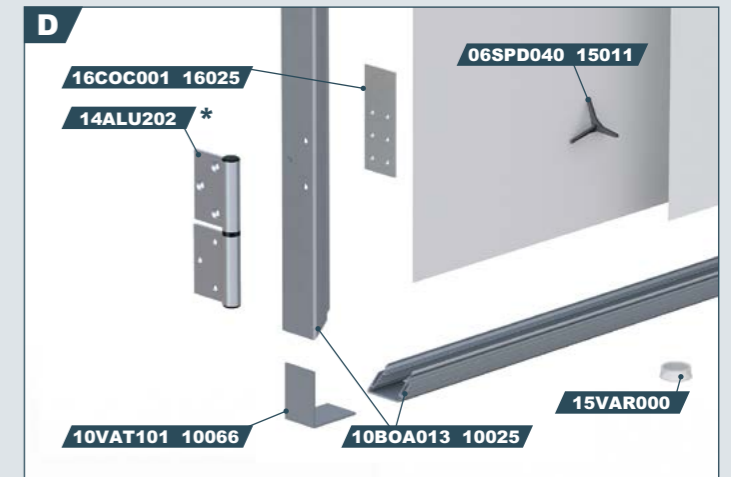
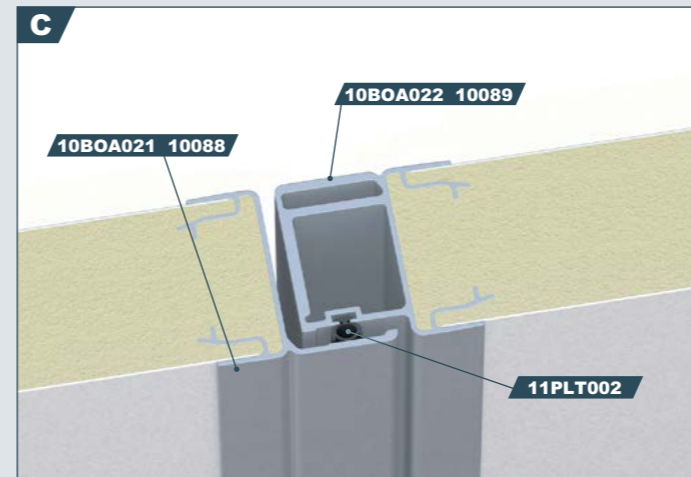
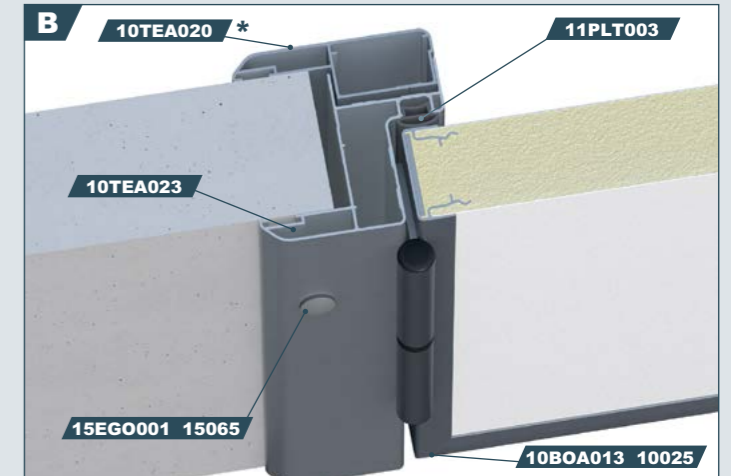
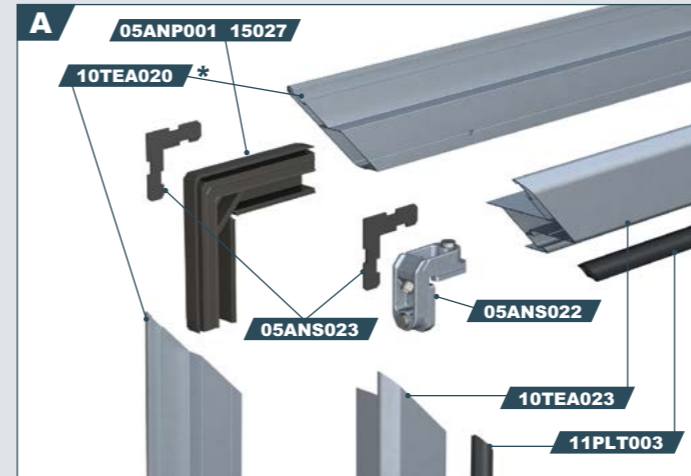
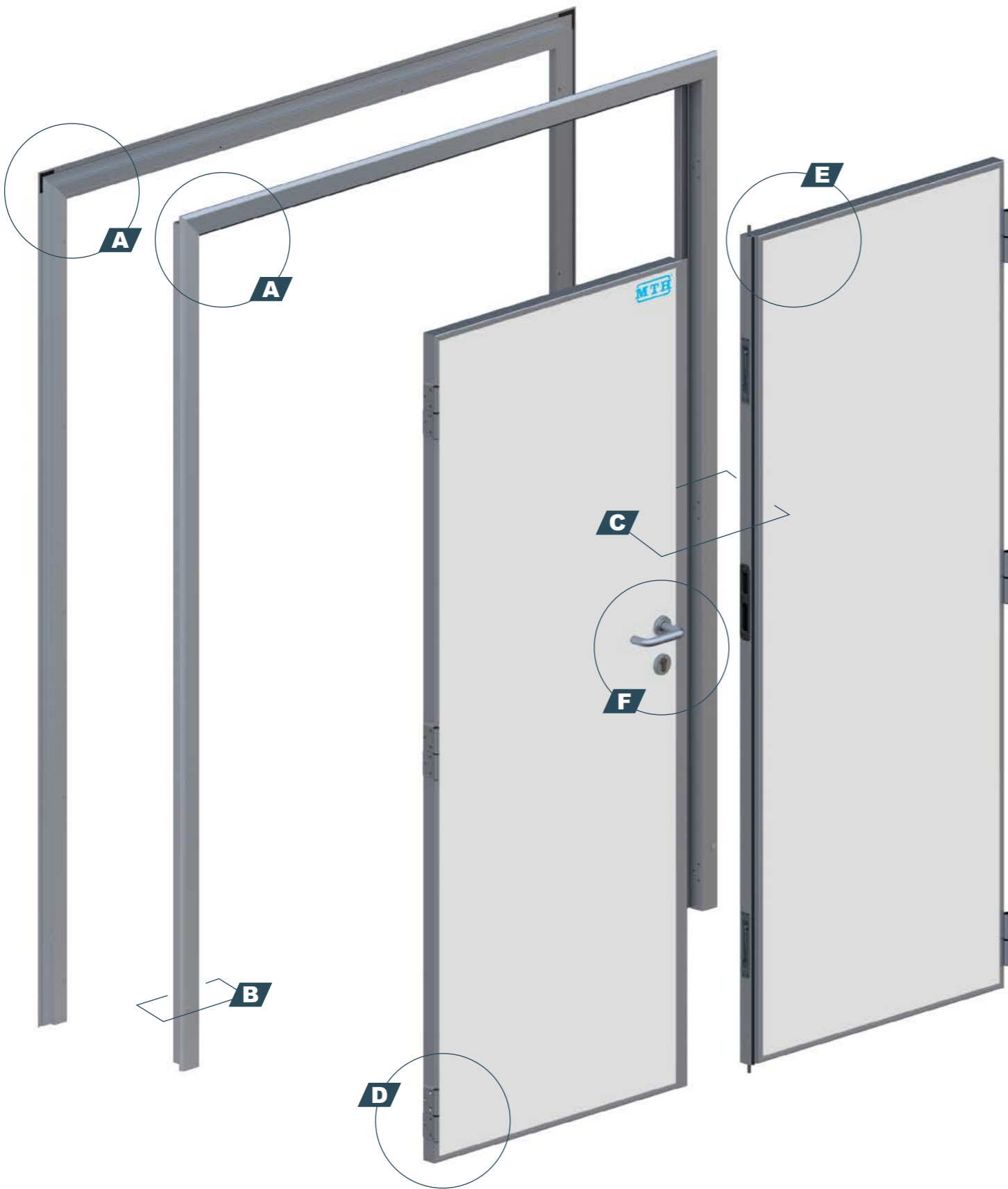


	CODE	DESCRIPTION	BOX	PAGE
BLADE	06SPD040 15011	PLASTIC STIFF SPACER FOR DOOR TO FOAM THK=40	D	100
	10BOA013 10025	ANODIZED ALUMINIUM BLADE EDGE PROFILE SERVICE DOOR THK=40 BAR L=7000	B	8
	10BOA021 10088	ANODIZED ALUMINIUM DOUBLE BLADE EDGE PROFILE MOBILE WING THK=40 BAR L=7000	C	10
	10BOA022 10089	ANODIZED ALUMINIUM DOUBLE BLADE EDGE PROFILE FIXED WING THK=40 BAR L=7000	C	10
	10VAT101 10066	INTERNAL ANGULAR REINFORCEMENT FOR SERVICE DOOR BLADE EDGE	D	100
	11PLT002	DOUBLE BLADE GASKET THK=40 SERVICE DOOR	C	28
	12VAR301	LOCK CASE FOR SERVICE DOOR	F	69
	13ALT150	DOOR CLOSER WITH ADJUSTABLE CLOSING FORCE SILVER COMPLETE WITH ARM	OPT.	70
	13FEZ001 13016	GALVANIZED STEEL DOOR BOLT FOR DOUBLE-BLADED DOORS	E	70
	13TUC116	NICKEL-PLATED BRASS CYLINDER 25-10-25 WITH DIFFERENT KEY FOR SERVICE DOOR	F	68
	13TUC203 13013	LOCK FOR SERVICE DOOR	F	68
	13TUF149	ANODIZED ALUMINIUM HANDLE ON ROSE YALE Ø 50 FOR SERVICE DOOR	F	68
	14ALU202*	ALUMINIUM HINGE DOOR THK.=40 LEFT	D	44
	15VAR000	NYLON PLUG Ø 27 FOR FOAMED DOOR BLADES	D	96
	16COC001 16025	GALVANIZED STEEL PLATE FOR HINGE FIXING FOR SERVICE DOOR	D	101
	17OLR001 17013	PORHOLE CLEAR PET THK=4 OVAL 250X750 WITH GASKET AND TENSIONER FOR DOOR THK=40	OPT.	86
	26IFI002*	PIN Ø 8 L=350 WITH THREADED END FOR DOOR BOLT	E	101

	CODE	DESCRIPTION	BOX	PAGE
FRAME	05ANP001 15027	PLASTIC ANGLE FOR COUNTERFRAME JOIN	A	103
	05ANS022	ALUMINIUM ANGLE FOR SERVICE DOOR FRAME JOIN	A	101
	05ANS023	PLASTIC ANGLE FOR SERVICE DOOR FRAME AND COUNTERFRAME JOIN	A	101
	10TEA020*	ANODIZED ALUMINIUM COUNTERFRAME PROFILE SERVICE DOOR H=60 BAR L=6500	A	9
	10TEA023	ANODIZED ALUMINIUM FRAME PROFILE SERVICE DOOR BAR L=6500	A	8
	11PLT003	PERIMETRAL GASKET FOR SERVICE DOOR (V2.0)	A	28
	12VAR300 15067	WATERPROOF HANDLE STRIKE PLATE FOR SERVICE DOOR	F	69
	15EGO001 15065	PLUG Ø 11 GREY RAL7004 FOR REVERSIBLE CAM HINGE	B	94

* = Available in different versions (dimension / side / opening sense / material / feature)
 = Disponibile in diverse versioni (dimensione / lato / senso di apertura / materiale / caratteristica)

12ABC001 For more details click on the product code / Per maggiori dettagli clicca sul codice prodotto

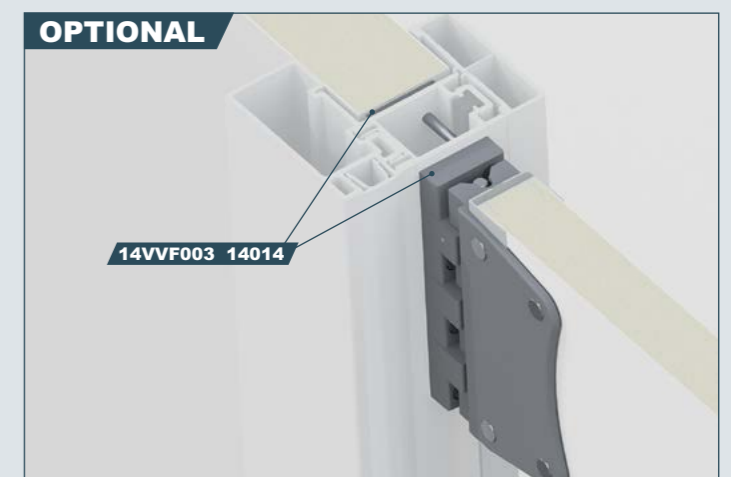
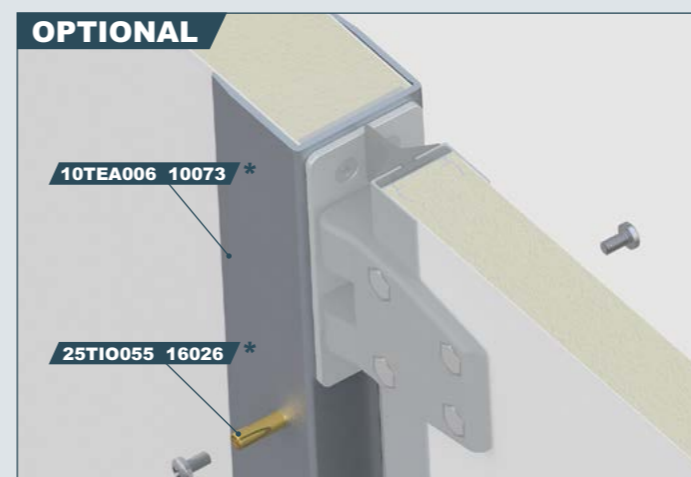
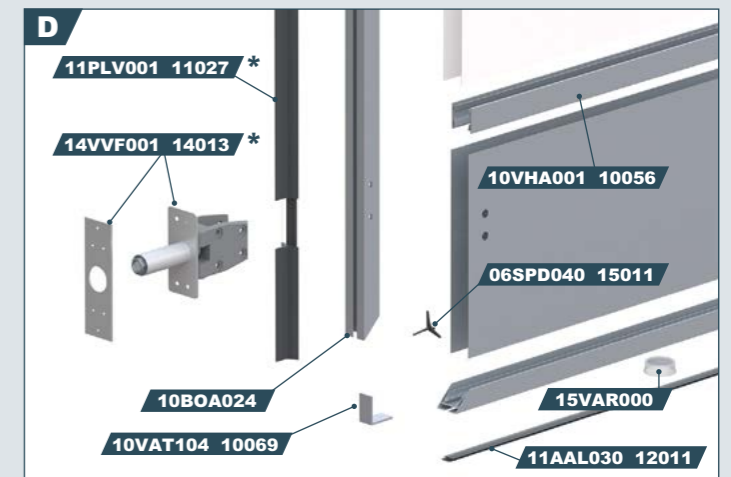
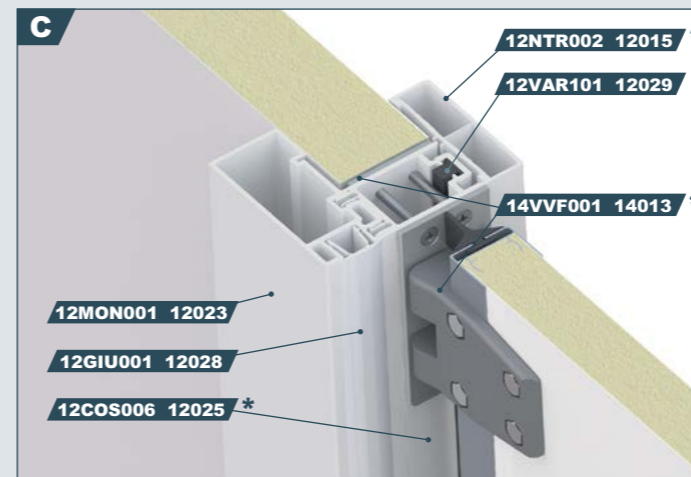
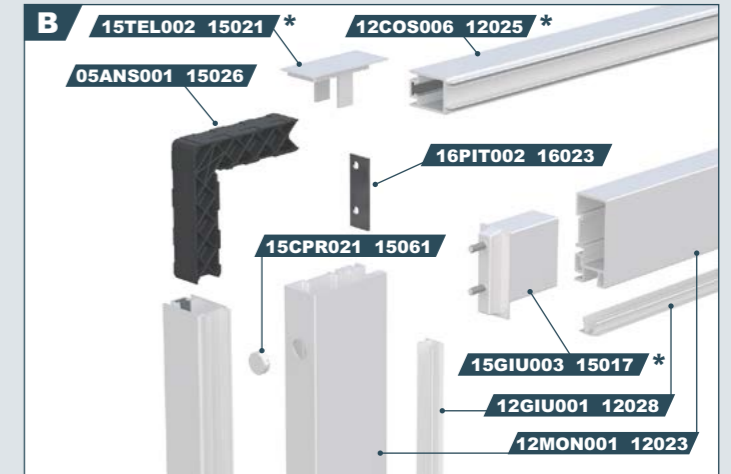




	CODE	DESCRIPTION	BOX	PAGE
BLADE	06SPD040 15011	PLASTIC STIFF SPACER FOR DOOR TO FOAM THK=40	D	100
	06SPP101* 15081	BUMPER FOR TO & FRO H=150	OPT.	70
	10BOA024	ANODIZED ALUMINIUM BLADE EDGE PROFILE TO&FRO THK=40 BAR L=6100	D	10
	10VAT104 10069	INTERNAL ANGULAR REINFORCEMENT FOR BLADE EDGE TO & FRO	D	100
	10VHA001 10056	ANODIZED ALUMINIUM METAL SHEET SUPPORT "H" PROFILE BAR L=6500	D	13
	11AAL030 12011	PVC H-PROFILE FOR TO&FRO BAR L=3100	D	20
	11PLV001* 11027	SIDE GASKET H=34 FOR TO&FRO L=2415±15	D	29
	14VVF001* 14013	TO & FRO HINGE WITH IN-FRAME SPRING RAL7004 WITH BLOCK AT 90°	C	44
	14VVF003 14014	TO & FRO HINGE WITH IN-BLADE SPRINGS RAL7004 PLASTIC ROD WITH BLOCK AT 90°	OPT.	44
	15VAR000	NYLON PLUG Ø 27 FOR FOAMED DOOR BLADES	D	96
	17OLR001 17013	PORTHOLE CLEAR PET THK=4 OVAL 250X750 WITH GASKET AND TENSIONER FOR DOOR THK=40	E	86
	FRAME	05ANP001 15027	PLASTIC ANGLE FOR COUNTERFRAME JOIN	A
05ANS001 15026		PLASTIC ANGLE FOR SIDE FRAME JOIN	B	102
10TEA006* 10073		ANODIZED ALUMINIUM C-PROFILE FOR TO&FRO ON PANEL THK=60 BAR L=6500	OPT.	10
12COS006* 12025		SIDE FRAME PVC PROFILE H=60 WHITE RAL9010 BAR L=5400	B	22
12GIU001 12028		THERMAL BREAK PASSAGEWAY COVERING PVC PROFILE WHITE RAL9010 BAR L=4500	B	22
12MON001 12023		PVC PROFILE FRAME 110 WHITE RAL9010 BAR L=5300	B	20
12NTR002* 12015		COUNTERFRAME PVC PROFILE PERFORATED WITH PROTECTION WHITE RAL9010 BAR L=6500	A	23
12VAR101 12029		PVC PROFILE FOR COUNTEFRAME TO SIDE FRAME CONNECTION BAR L=2000	C	23
15CPR002 15063		PLUG Ø 11,5 WHITE	A	94
15CPR021 15061		PLUG Ø 22 WHITE	B	95
15GIU002 15016		RIGHT JOINT FOR FRAME 110 WITH GALVANIZED BOLT	-	102
15GIU003* 15017		LEFT JOINT FOR FRAME 110 WITH GALVANIZED BOLT	B	102
15TEL002* 15021		UPPER LEFT PLUG FOR FRAME 110	B	96
15TEL003 15022		UPPER RIGHT PLUG FOR FRAME 110	-	96
16PIT002 16023		GALVANIZED STEEL PLATE FOR FRAME 110 JOINT FIXING	B	102
25TIO055* 16026		THREADED SLEEVE M5 L=55 FOR FRAME FIXING FOR PANEL THK=60	OPT.	103

* = Available in different versions (dimension / side / opening sense / material / feature)
 = Disponibile in diverse versioni (dimensione / lato / senso di apertura / materiale / caratteristica)

12ABC001 For more details click on the product code / Per maggiori dettagli clicca sul codice prodotto

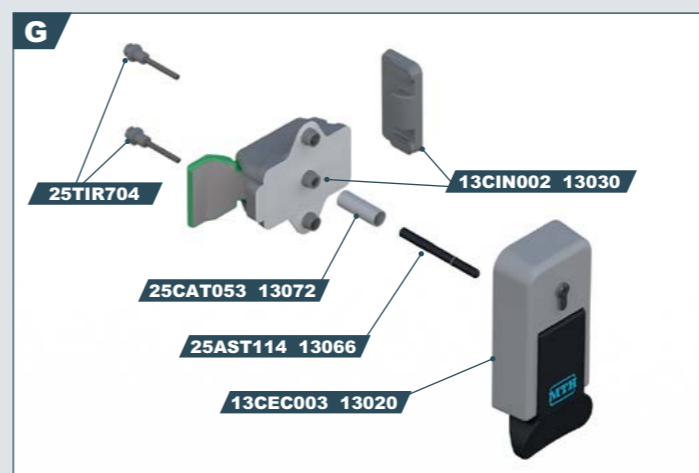
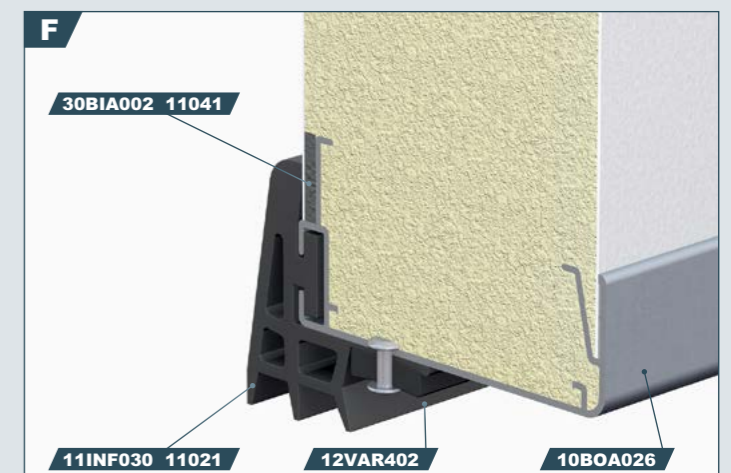
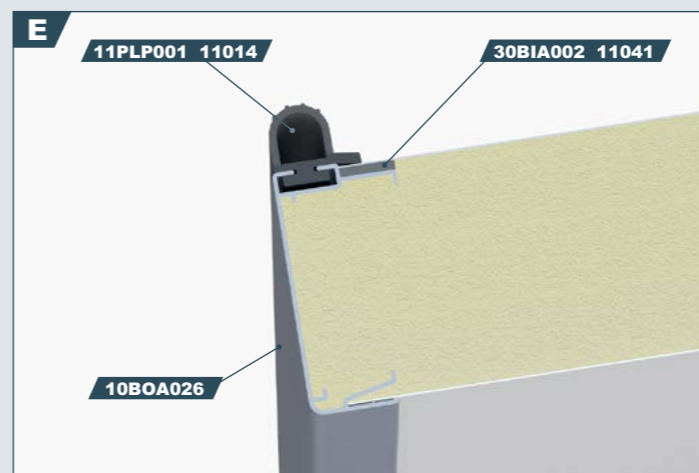
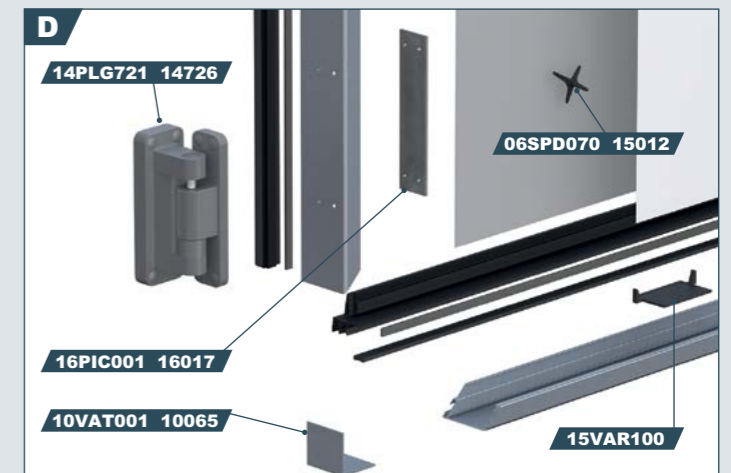
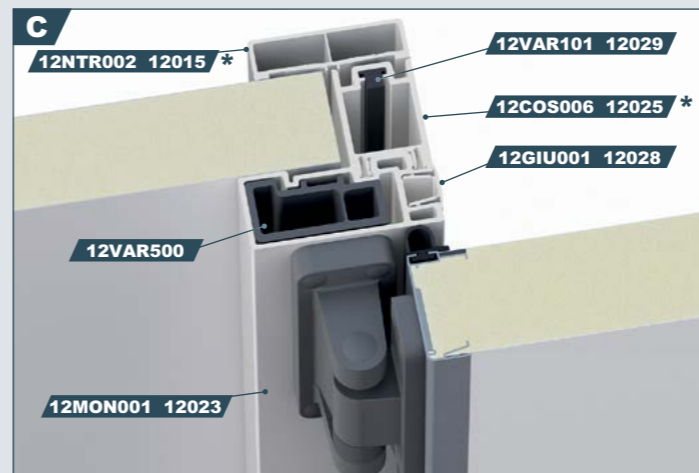
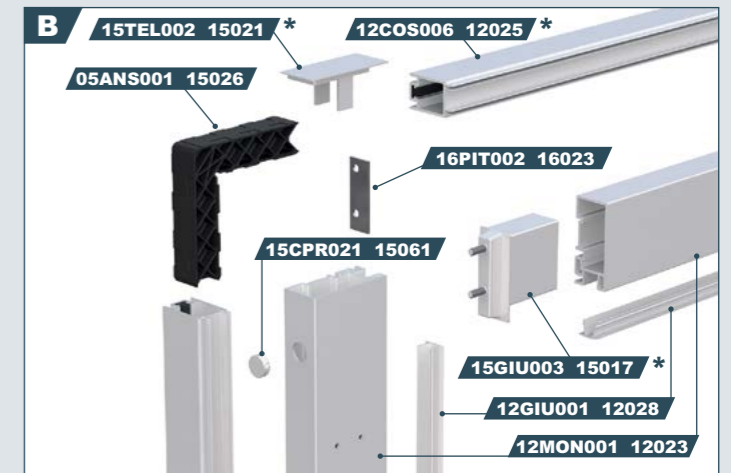




	CODE	DESCRIPTION	BOX	PAGE	
BLADE	06SPD070 15012	PLASTIC STIFF SPACER FOR DOOR TO FOAM THK=68	D	100	
	10BOA026	ANODIZED ALUMINIUM BLADE EDGE PROFILE THK=68 BAR L=6400	E	11	
	10VAT001 10065	INTERNAL ANGULAR REINFORCEMENT FOR BLADE EDGE THK=68	D	100	
	11INF030 11021	LOWER GASKET FOR DOORS THK=68	F	31	
	11PLP001 11014	PERIMETRAL GASKET H=18,5 FOR DOOR THK=68	E	29	
	12VAR402	FLAT PVC PROFILE FOR LOWER GASKET FIXING 15X5 BAR L=4000	F	24	
	13AMF048* 13024	PUSH BAR L=480 FOR DOOR ENTRY WIDTH 800	OPT.	75	
	13CEC003 13020	EXTERNAL HANDLE CSI MTH GREY RAL7004/LEVER BLACK WITH LOCK AND LOGO MTH COMPLETE WITH FOAM TAPE	G	72	
	13CIN002 13030	INTERNAL HANDLE CSI MTH GREY RAL7004/LEVER GREEN COMPLETE WITH FOAM TAPE AND ADJUSTABLE STRIKER	G	74	
	14PLG721 14726	REVERSIBLE CAM HINGE H=58 GREY RAL7004 WITH PLUG FOR DOOR THK.=68	D	47	
	15VAR100	FOAMING HOLE VALVE FOR DOORS=68-151	D	33	
	16PIC001 16017	GALVANIZED STEEL PLATE FOR HINGE FIXING WITH CAM FOR DOOR THK=68	D	104	
	25AST114 13066	DRIVE STAFF FOR HANDLE CSI MTH L=114 FOR DOOR THK=68	G	73	
	25CAT053 13072	SLEEVE FOR HANDLE CSI MTH L=55 FOR DOOR THK=68	G	73	
	25TIR704	TIE ROD FOR HANDLE CSI MTH L=66 GREY RAL7004 FOR DOOR THK=68	G	74	
	30BIA002 11041	SPONGE TAPE BI-ADHESIVE LONG SIDE 15X4	E	36	
	FRAME	05ANP001 15027	PLASTIC ANGLE FOR COUNTERFRAME JOIN	A	103
		05ANS001 15026	PLASTIC ANGLE FOR SIDE FRAME JOIN	B	102
		12COS006* 12025	SIDE FRAME PVC PROFILE H=60 WHITE RAL9010 BAR L=5400	B	22
		12GIU001 12028	THERMAL BREAK PASSAGEWAY COVERING PVC PROFILE WHITE RAL9010 BAR L=4500	B	22
12MON001 12023		PVC PROFILE FRAME 110 WHITE RAL9010 BAR L=5300	B	20	
12NTR002* 12015		COUNTERFRAME PVC PROFILE PERFORATED WITH PROTECTION WHITE RAL9010 BAR L=6500	A	23	
12VAR101 12029		PVC PROFILE FOR COUNTEFRAME TO SIDE FRAME CONNECTION BAR L=2000	C	23	
12VAR500		FRAME REINFORCEMENT PLASTIC PROFILE BAR L=4000	C	20	
15CPR002 15063		PLUG Ø 11,5 WHITE	A	94	
15CPR021 15061		PLUG Ø 22 WHITE	B	95	
15GIU002 15016		RIGHT JOINT FOR FRAME 110 WITH GALVANIZED BOLT	-	102	
15GIU003* 15017		LEFT JOINT FOR FRAME 110 WITH GALVANIZED BOLT	B	102	
15TEL002* 15021		UPPER LEFT PLUG FOR FRAME 110	B	96	
15TEL003 15022		UPPER RIGHT PLUG FOR FRAME 110	-	96	
16PIT002 16023		GALVANIZED STEEL PLATE FOR FRAME 110 JOINT FIXING	B	102	

* = Available in different versions (dimension / side / opening sense / material / feature)
 = Disponibile in diverse versioni (dimensione / lato / senso di apertura / materiale / caratteristica)

12ABC001 For more details click on the product code / Per maggiori dettagli clicca sul codice prodotto

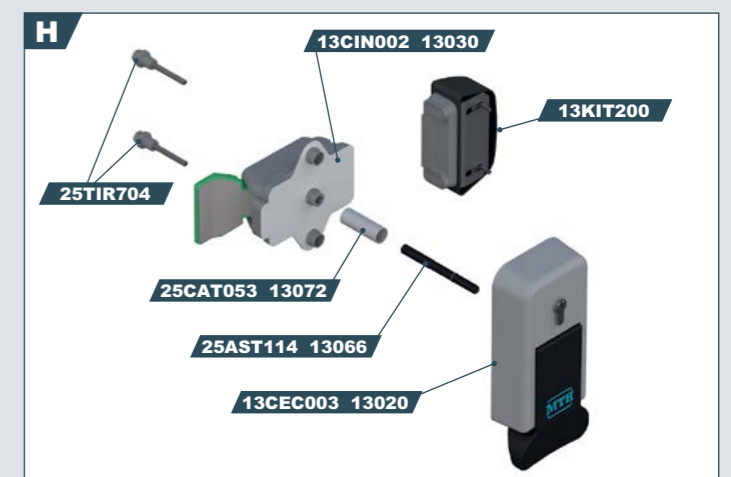
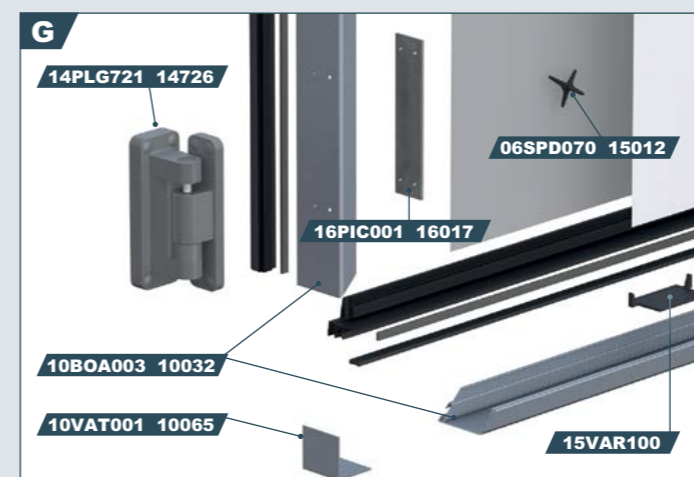
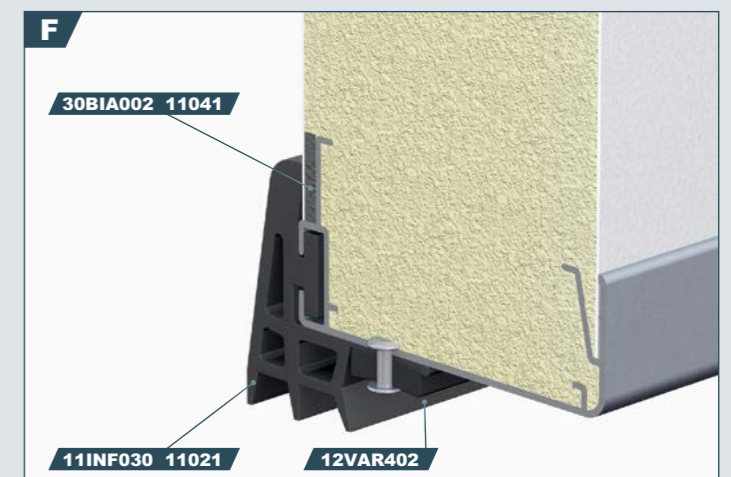
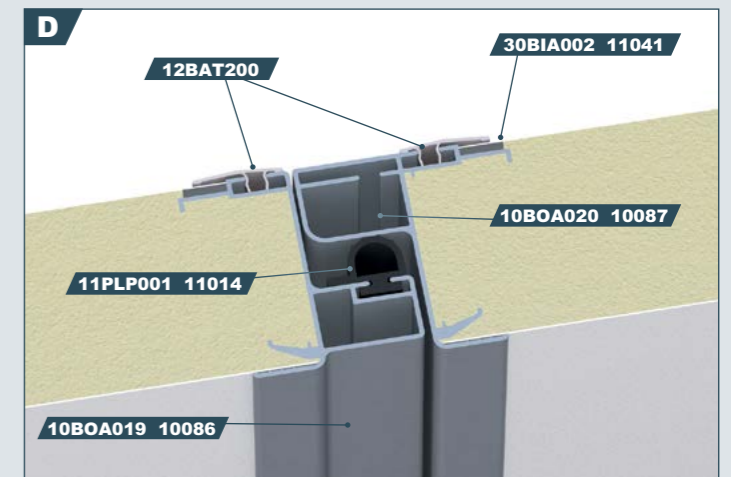
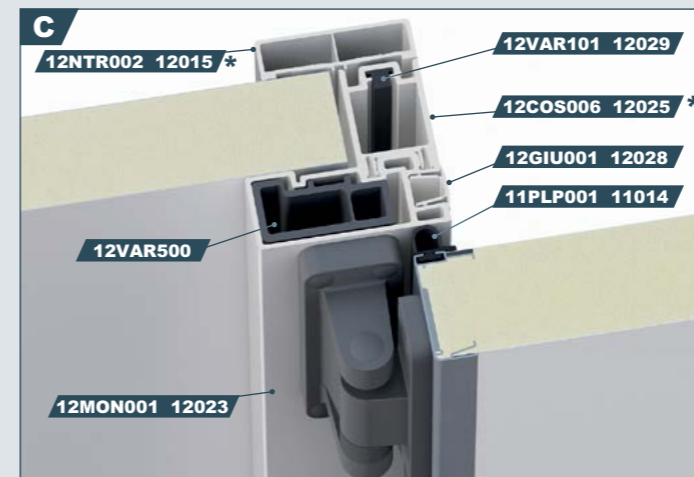
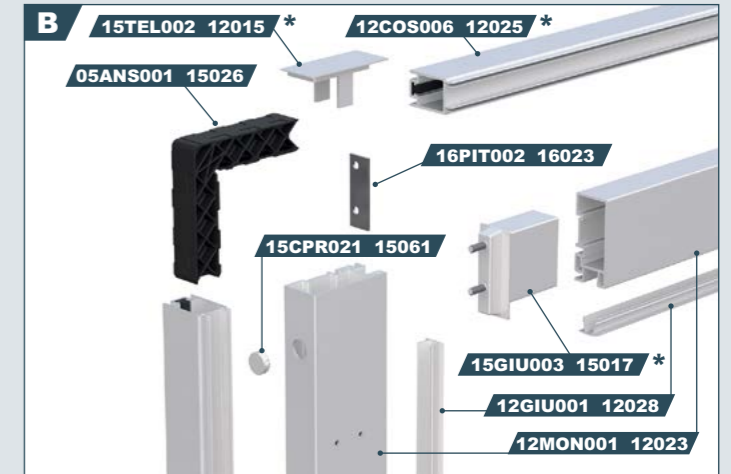




	CODE	DESCRIPTION	BOX	PAGE
BLADE	06SPD070 15012	PLASTIC STIFF SPACER FOR DOOR TO FOAM THK=68	G	100
	10BOA003 10032	ANODIZED ALUMINIUM DOUBLE BLADE PROFILE EDGE THK=68 BAR L=6400	G	11
	10BOA019 10086	ANODIZED ALUMINIUM DOUBLE BLADE PROFILE MOBILE WING THK=68 BAR L=4600	D	11
	10BOA020 10087	ANODIZED ALUMINIUM DOUBLE BLADE PROFILE EDGE FIXED WING THK=68 BAR L=4600	D	11
	10VAT001 10065	INTERNAL ANGULAR REINFORCEMENT FOR BLADE EDGE THK=68	G	100
	11INF030 11021	LOWER GASKET FOR DOORS THK=68	F	31
	11PLP001 11014	PERIMETRAL GASKET H=18,5 FOR DOOR THK=68	C	29
	12BAT200	GASKET SUPPORT COVERING PVC PROFILE GREY BAR L=6000	D	24
	12VAR402	FLAT PVC PROFILE FOR LOWER GASKET FIXING 15X5 BAR L=4000	F	24
	13CEC003 13020	EXTERNAL HANDLE CSI MTH GREY RAL7004/LEVER BLACK WITH LOCK AND LOGO MTH COMPLETE WITH FOAM TAPE	H	72
	13CIN002 13030	INTERNAL HANDLE CSI MTH GREY RAL7004/LEVER GREEN COMPLETE WITH FOAM TAPE AND ADJUSTABLE STRIKER	H	74
	13FEI003* 13091	STAINLESS STEEL BLOCKING BAR L=300	E	77
	13KIT200	ADJUSTABLE STRIKER SET FOR INTERNAL HANDLE FOR DOUBLE-BLADED DOOR	H	75
	14PLG721 14726	REVERSIBLE CAM HINGE H=58 GREY RAL7004 WITH PLUG FOR DOOR THK.=68	G	47
	15VAR100	FOAMING HOLE VALVE FOR DOORS=68-151	G	33
	16PIC001 16017	GALVANIZED STEEL PLATE FOR HINGE FIXING WITH CAM FOR DOOR THK=68	G	104
	25AST114 13066	DRIVE STAFF FOR HANDLE CSI MTH L=114 FOR DOOR THK=68	H	73
	25CAT053 13072	SLEEVE FOR HANDLE CSI MTH L=55 FOR DOOR THK=68	H	73
	25TIR704	TIE ROD FOR HANDLE CSI MTH L=66 GREY RAL7004 FOR DOOR THK=68	H	74
	30BIA002 11041	SPONGE TAPE BI-ADHESIVE LONG SIDE 15X4	D	36
FRAME	05ANP001 15027	PLASTIC ANGLE FOR COUNTERFRAME JOIN	A	103
	05ANS001 15026	PLASTIC ANGLE FOR SIDE FRAME JOIN	B	102
	12COS006* 12025	SIDE FRAME PVC PROFILE H=60 WHITE RAL9010 BAR L=5400	B	22
	12GIU001 12028	THERMAL BREAK PASSAGEWAY COVERING PVC PROFILE WHITE RAL9010 BAR L=4500	B	22
	12MON001 12023	PVC PROFILE FRAME 110 WHITE RAL9010 BAR L=5300	B	20
	12NTR002* 12015	COUNTERFRAME PVC PROFILE PERFORATED WITH PROTECTION WHITE RAL9010 BAR L=6500	A	23
	12VAR101 12029	PVC PROFILE FOR COUNTEFRAME TO SIDE FRAME CONNECTION BAR L=2000	C	23
	12VAR500	FRAME REINFORCEMENT PLASTIC PROFILE BAR L=4000	C	20
	15CPR002 15063	PLUG Ø 11,5 WHITE	A	94
	15CPR021 15061	PLUG Ø 22 WHITE	B	95
	15GIU002 15016	RIGHT JOINT FOR FRAME 110 WITH GALVANIZED BOLT	-	102
	15GIU003* 15017	LEFT JOINT FOR FRAME 110 WITH GALVANIZED BOLT	B	102
	15TEL002* 15021	UPPER LEFT PLUG FOR FRAME 110	B	96
	15TEL003 15022	UPPER RIGHT PLUG FOR FRAME 110	-	96
	16PIT002 16023	GALVANIZED STEEL PLATE FOR FRAME 110 JOINT FIXING	B	102

* = Available in different versions (dimension / side / opening sense / material / feature)
 = Disponibile in diverse versioni (dimensione / lato / senso di apertura / materiale / caratteristica)

12ABC001 For more details click on the product code / Per maggiori dettagli clicca sul codice prodotto



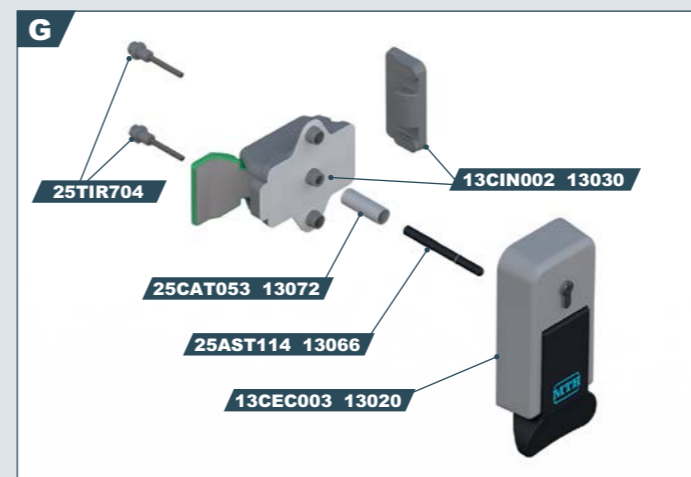
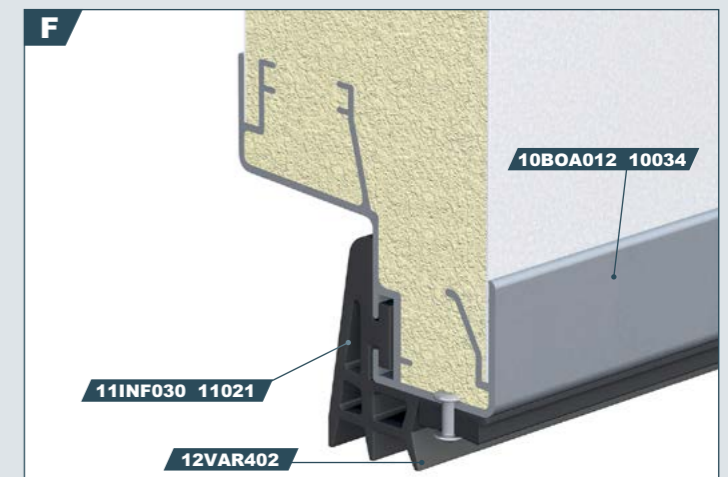
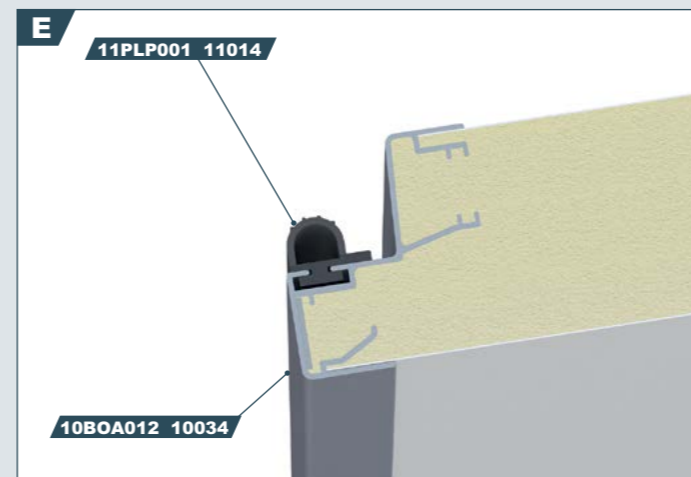
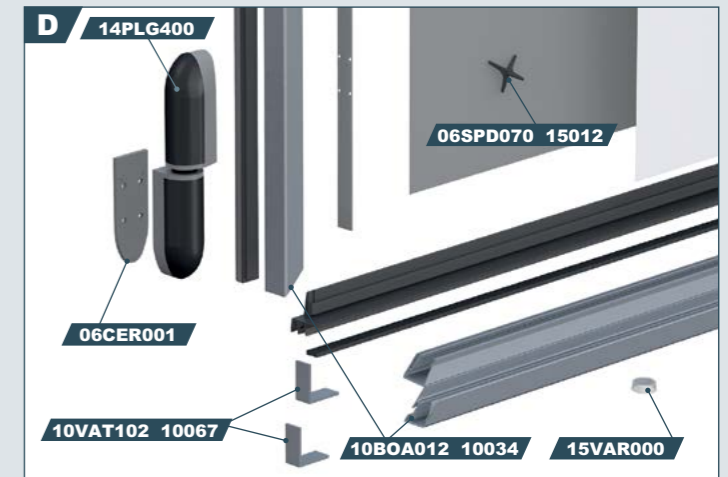
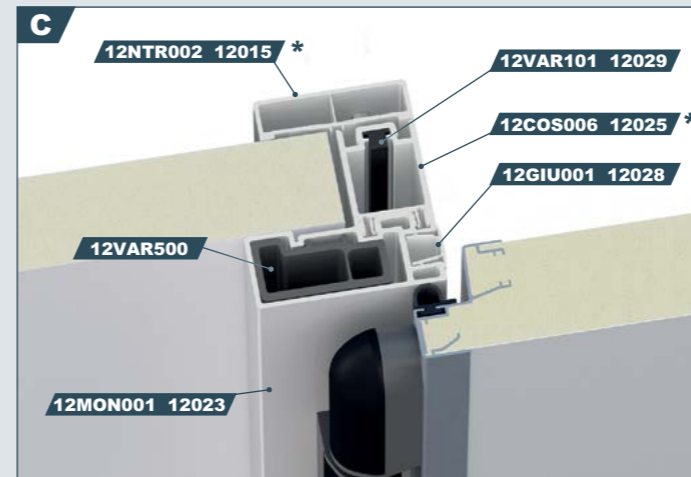
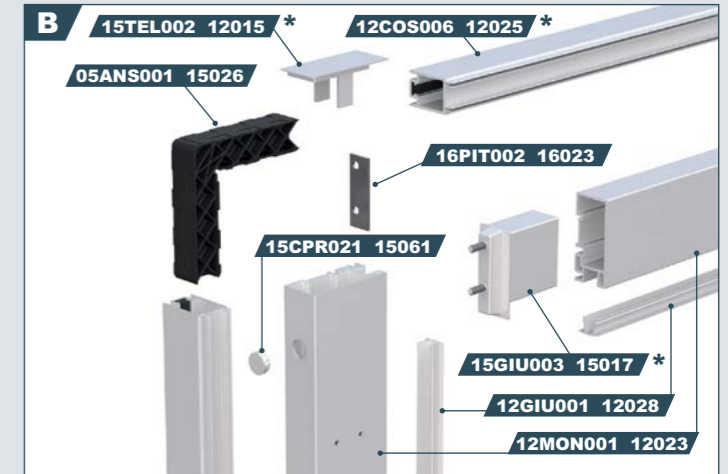


	CODE	DESCRIPTION	BOX	PAGE
BLADE	06CER001	SPACER FOR ADJUSTABLE HINGE H=5 GREY RAL7004	D	46
	06SPD070 15012	PLASTIC STIFF SPACER FOR DOOR TO FOAM THK=68	D	100
	10BOA012 10034	ANODIZED ALUMINIUM BLADE EDGE PROFILE SEMIRECESSED THK=68 BAR L=6500	D	11
	10VAT102 10067	INTERNAL ANGULAR REINFORCEMENT FOR BLADE EDGE 540 TN	D	100
	11INF030 11021	LOWER GASKET FOR DOORS THK=68	F	31
	11PLP001 11014	PERIMETRAL GASKET H=18,5 FOR DOOR THK=68	E	29
	12VAR402	FLAT PVC PROFILE FOR LOWER GASKET FIXING 15X5 BAR L=4000	F	24
	13AMF048* 13024	PUSH BAR L=480 FOR DOOR ENTRY WIDTH 800	OPT.	75
	13CEC003 13020	EXTERNAL HANDLE CSI MTH GREY RAL7004/LEVER BLACK WITH LOCK AND LOGO MTH COMPLETE WITH FOAM TAPE	G	72
	13CIN002 13030	INTERNAL HANDLE CSI MTH GREY RAL7004/LEVER GREEN COMPLETE WITH FOAM TAPE AND ADJUSTABLE STRIKER	G	74
	14PLG400	REVERSIBLE AND ADJUSTABLE CAM HINGE H=25 GREY RAL7004 BLACK LIDS	D	45
	15VAR000	NYLON PLUG Ø 27 FOR FOAMED DOOR BLADES	D	96
	25AST114 13066	DRIVE STAFF FOR HANDLE CSI MTH L=114 FOR DOOR THK=68	G	73
	25CAT053 13072	SLEEVE FOR HANDLE CSI MTH L=55 FOR DOOR THK=68	G	73
	25TIR704	TIE ROD FOR HANDLE CSI MTH L=66 GREY RAL7004 FOR DOOR THK=68	G	74

	CODE	DESCRIPTION	BOX	PAGE
FRAME	05ANP001 15027	PLASTIC ANGLE FOR COUNTERFRAME JOIN	A	103
	05ANS001 15026	PLASTIC ANGLE FOR SIDE FRAME JOIN	B	102
	12COS006* 12025	SIDE FRAME PVC PROFILE H=60 WHITE RAL9010 BAR L=5400	B	22
	12GIU001 12028	THERMAL BREAK PASSAGEWAY COVERING PVC PROFILE WHITE RAL9010 BAR L=4500	B	22
	12MON001 12023	PVC PROFILE FRAME 110 WHITE RAL9010 BAR L=5300	B	20
	12NTR002* 12015	COUNTERFRAME PVC PROFILE PERFORATED WITH PROTECTION WHITE RAL9010 BAR L=6500	A	23
	12VAR101 12029	PVC PROFILE FOR COUNTERFRAME TO SIDE FRAME CONNECTION BAR L=2000	C	23
	12VAR500	FRAME REINFORCEMENT PLASTIC PROFILE BAR L=4000	C	20
	15CPR002 15063	PLUG Ø 11,5 WHITE	A	94
	15CPR021 15061	PLUG Ø 22 WHITE	B	95
	15GIU002 15016	RIGHT JOINT FOR FRAME 110 WITH GALVANIZED BOLT	-	102
	15GIU003* 15017	LEFT JOINT FOR FRAME 110 WITH GALVANIZED BOLT	B	102
	15TEL002* 15021	UPPER LEFT PLUG FOR FRAME 110	B	96
	15TEL003 15022	UPPER RIGHT PLUG FOR FRAME 110	-	96
	16PIT002 16023	GALVANIZED STEEL PLATE FOR FRAME 110 JOINT FIXING	B	102

* = Available in different versions (dimension / side / opening sense / material / feature)
 = Disponibile in diverse versioni (dimensione / lato / senso di apertura / materiale / caratteristica)

12ABC001 For more details click on the product code / Per maggiori dettagli clicca sul codice prodotto

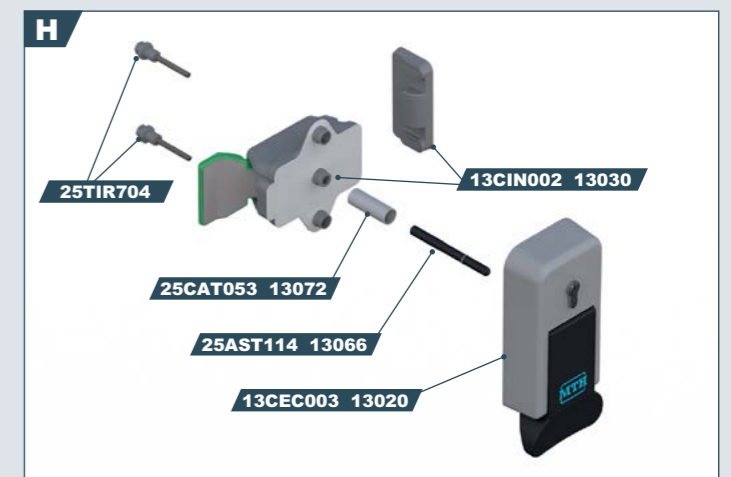
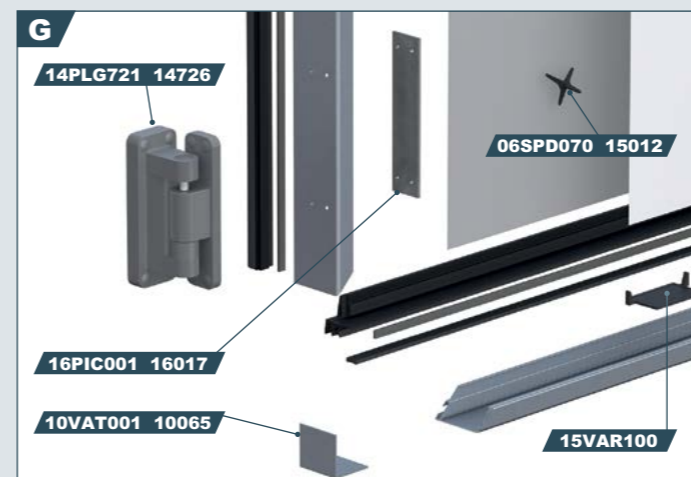
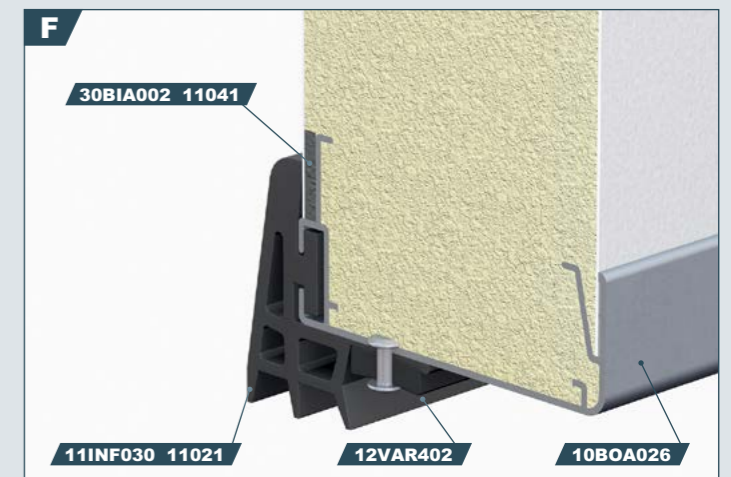
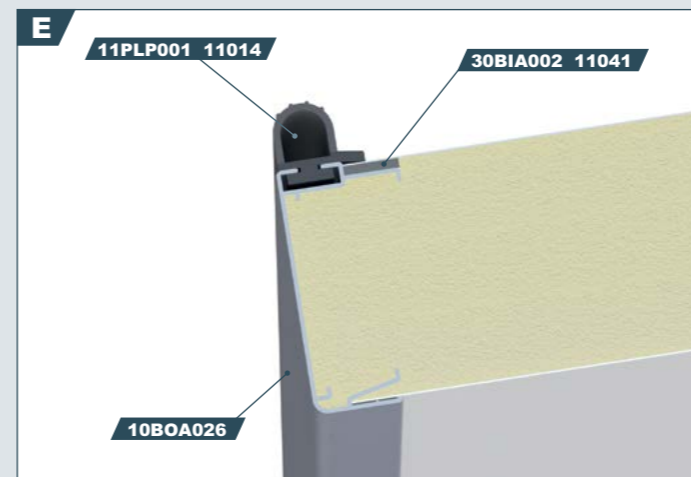
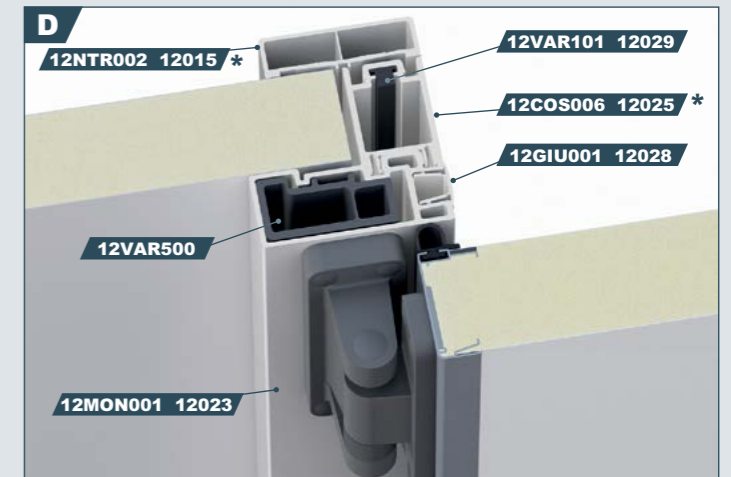
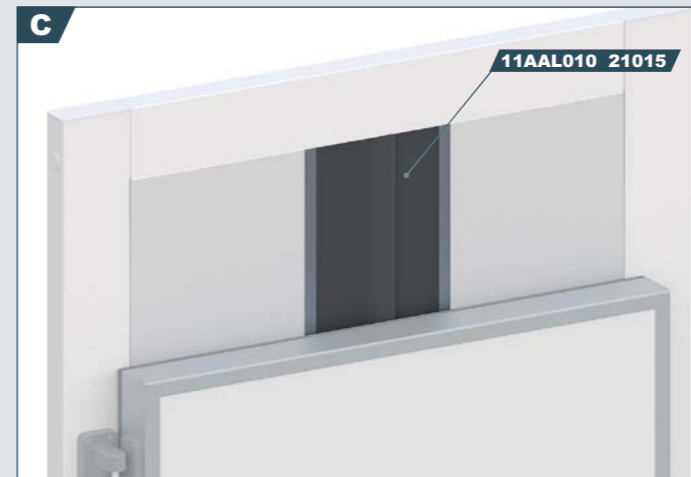
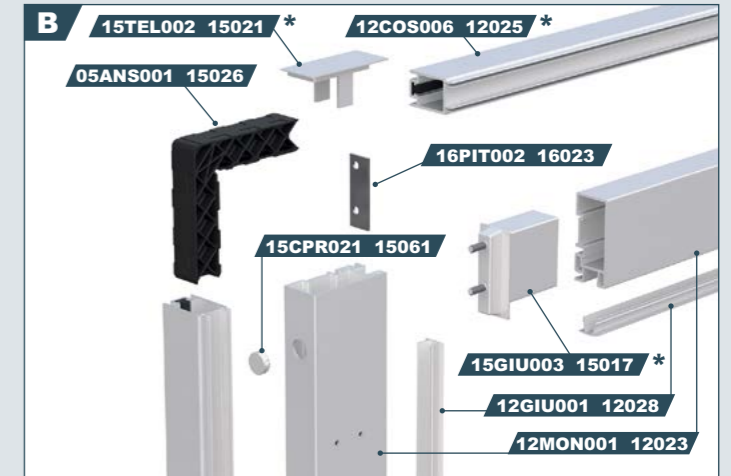




	CODE	DESCRIPTION	BOX	PAGE	
BLADE	06SPD070 15012	PLASTIC STIFF SPACER FOR DOOR TO FOAM THK=68	G	100	
	10BOA026	ANODIZED ALUMINIUM BLADE EDGE PROFILE THK=68 BAR L=6400	E	11	
	10VAT001 10065	INTERNAL ANGULAR REINFORCEMENT FOR BLADE EDGE THK=68	G	100	
	11INF030 11021	LOWER GASKET FOR DOORS THK=68	F	31	
	11PLP001 11014	PERIMETRAL GASKET H=18,5 FOR DOOR THK=68	E	29	
	12VAR402	FLAT PVC PROFILE FOR LOWER GASKET FIXING 15X5 BAR L=4000	F	24	
	13CEC003 13020	EXTERNAL HANDLE CSI MTH GREY RAL7004/LEVER BLACK WITH LOCK AND LOGO MTH COMPLETE WITH FOAM TAPE	H	72	
	13CIN002 13030	INTERNAL HANDLE CSI MTH GREY RAL7004/LEVER GREEN COMPLETE WITH FOAM TAPE AND ADJUSTABLE STRIKER	H	74	
	14PLG721 14726	REVERSIBLE CAM HINGE H=58 GREY RAL7004 WITH PLUG FOR DOOR THK.=68	G	47	
	15VAR100	FOAMING HOLE VALVE FOR DOORS=68-151	G	33	
	16PIC001 16017	GALVANIZED STEEL PLATE FOR HINGE FIXING WITH CAM FOR DOOR THK=68	G	104	
	25AST114 13066	DRIVE STAFF FOR HANDLE CSI MTH L=114 FOR DOOR THK=68	H	73	
	25CAT053 13072	SLEEVE FOR HANDLE CSI MTH L=55 FOR DOOR THK=68	H	73	
	25TIR704	TIE ROD FOR HANDLE CSI MTH L=66 GREY RAL7004 FOR DOOR THK=68	H	74	
	30BIA002 11041	SPONGE TAPE BI-ADHESIVE LONG SIDE 15X4	E	36	
	FRAME	05ANP001 15027	PLASTIC ANGLE FOR COUNTERFRAME JOIN	A	103
		05ANS001 15026	PLASTIC ANGLE FOR SIDE FRAME JOIN	B	102
11AAL010 21015		SLIDE-WAY PASSAGE GASKET L.1000 X H.1200 THK=4	C	33	
12COS006* 12025		SIDE FRAME PVC PROFILE H=60 WHITE RAL9010 BAR L=5400	B	22	
12GIU001 12028		THERMAL BREAK PASSAGEWAY COVERING PVC PROFILE WHITE RAL9010 BAR L=4500	B	22	
12MON001 12023		PVC PROFILE FRAME 110 WHITE RAL9010 BAR L=5300	B	20	
12NTR002* 12015		COUNTERFRAME PVC PROFILE PERFORATED WITH PROTECTION WHITE RAL9010 BAR L=6500	A	23	
12VAR101 12029		PVC PROFILE FOR COUNTEFRAME TO SIDE FRAME CONNECTION BAR L=2000	D	23	
12VAR500		FRAME REINFORCEMENT PLASTIC PROFILE BAR L=4000	D	20	
15CPR002 15063		PLUG Ø 11,5 WHITE	A	94	
15CPR021 15061		PLUG Ø 22 WHITE	B	95	
15GIU002 15016		RIGHT JOINT FOR FRAME 110 WITH GALVANIZED BOLT	-	102	
15GIU003* 15017		LEFT JOINT FOR FRAME 110 WITH GALVANIZED BOLT	B	102	
15TEL002* 15021		UPPER LEFT PLUG FOR FRAME 110	B	96	
15TEL003 15022		UPPER RIGHT PLUG FOR FRAME 110	-	96	
16PIT002 16023		GALVANIZED STEEL PLATE FOR FRAME 110 JOINT FIXING	B	102	

* = Available in different versions (dimension / side / opening sense / material / feature)
 = Disponibile in diverse versioni (dimensione / lato / senso di apertura / materiale / caratteristica)

12ABC001 For more details click on the product code / Per maggiori dettagli clicca sul codice prodotto

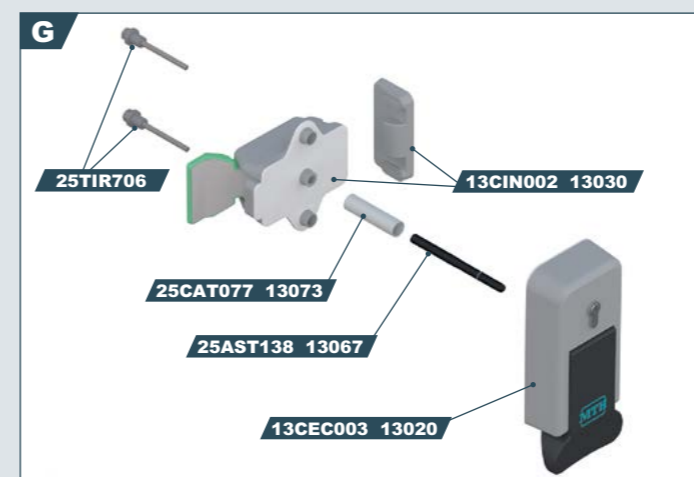
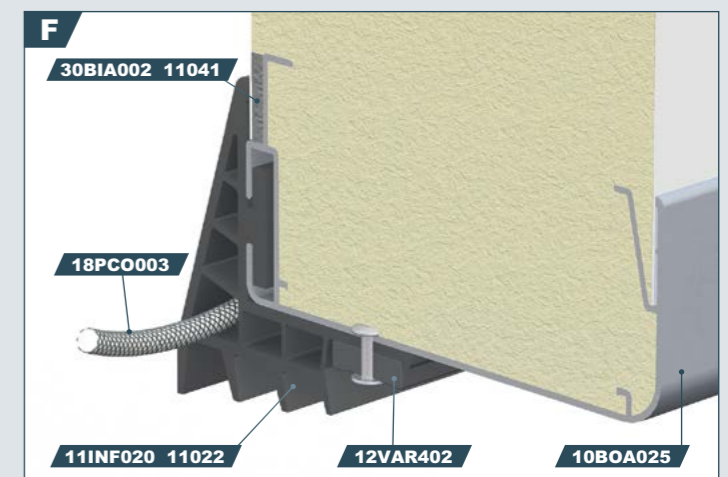
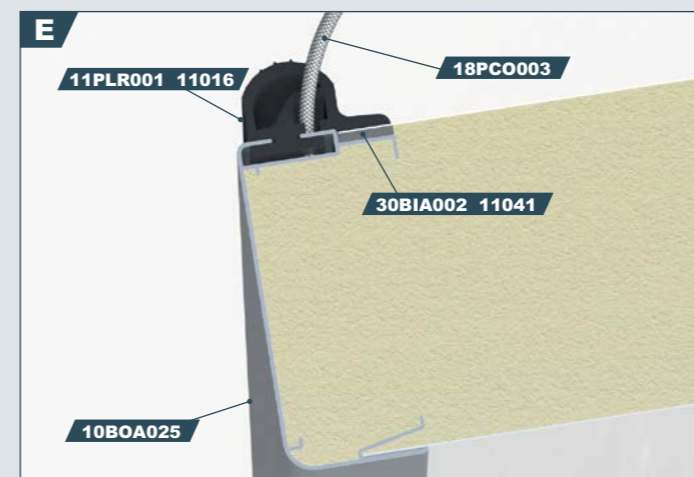
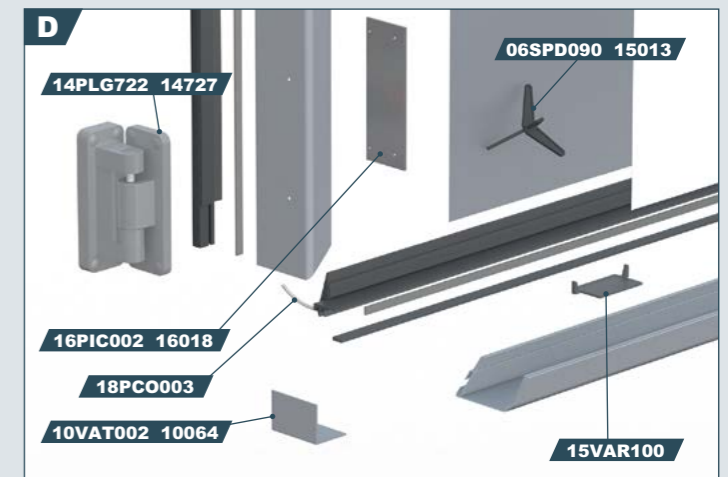
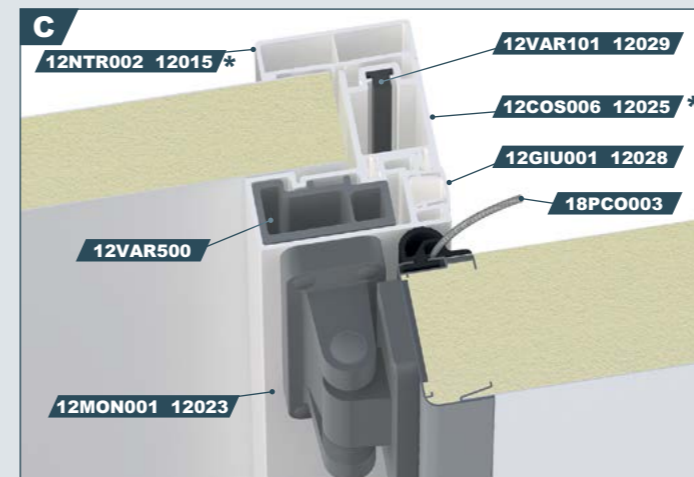
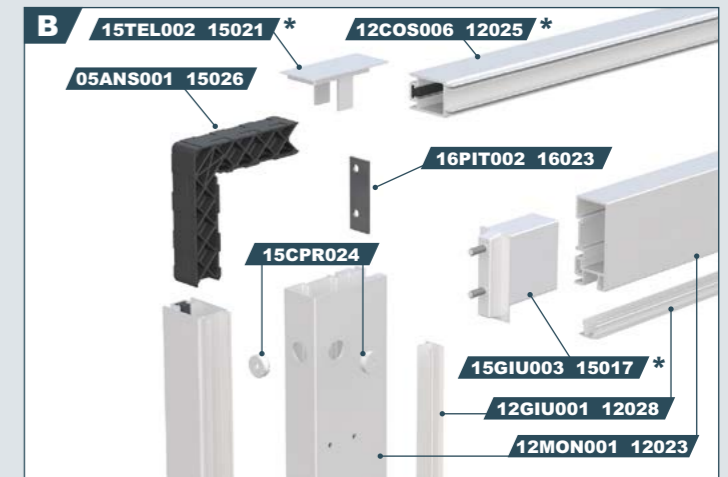




	CODE	DESCRIPTION	BOX	PAGE	
BLADE	06SPD090 15013	PLASTIC STIFF SPACER FOR DOOR TO FOAM THK=92	D	100	
	10BOA025	ANODIZED ALUMINIUM BLADE EDGE PROFILE THK=92 ANODIZED BAR L=6250	E	11	
	10VAT002 10064	INTERNAL ANGULAR REINFORCEMENT FOR BLADE EDGE THK=92	D	100	
	11INF020 11022	LOWER GASKET FOR DOORS THK=92-151 L=4500	F	31	
	11PLR001 11016	PERIMETRAL GASKET H=25 WITH HEATING CABLE PASSAGE	E	30	
	12VAR402	FLAT PVC PROFILE FOR LOWER GASKET FIXING 15X5 BAR L=4000	F	24	
	13AMF048* 13024	PUSH BAR L=480 FOR DOOR ENTRY WIDTH 800	OPT.	75	
	13CEC003 13020	EXTERNAL HANDLE CSI MTH GREY RAL7004/LEVER BLACK WITH LOCK AND LOGO MTH COMPLETE WITH FOAM TAPE	G	72	
	13CIN002 13030	INTERNAL HANDLE CSI MTH GREY RAL7004/LEVER GREEN COMPLETE WITH FOAM TAPE AND ADJUSTABLE STRIKER	G	74	
	14PLG722 14727	REVERSIBLE CAM HINGE H=58 GREY RAL7004 WITH PLUG FOR DOOR THK.=92	D	48	
	15CPR025	PLUG Ø 22 GREY WITH WIRE HOLE Ø 6,5	EXP.	95	
	15VAR100	FOAMING HOLE VALVE FOR DOORS=68-151	D	33	
	16PIC002 16018	GALVANIZED STEEL PLATE FOR HINGE FIXING WITH CAM FOR DOOR THK=92	D	104	
	18PCO003	HEATING CABLE COIL AT CONSTANT POWER 30W/230V Ø 4 SILICON-COATED WITH METAL BRAIDED SLEEVE L=250M	C	41	
	25AST138 13067	DRIVE STAFF FOR HANDLE CSI MTH L=138 FOR DOOR THK=92	G	73	
	25CAT077 13073	SLEEVE FOR HANDLE CSI MTH L=75 FOR DOOR THK=92	G	73	
	25TIR706	TIE ROD FOR HANDLE CSI MTH L=86 GREY RAL7004 FOR DOOR THK=92	G	74	
	30BIA002 11041	SPONGE TAPE BI-ADHESIVE LONG SIDE 15X4	E	36	
	FRAME	05ANP001 15027	PLASTIC ANGLE FOR COUNTERFRAME JOIN	A	103
		05ANS001 15026	PLASTIC ANGLE FOR SIDE FRAME JOIN	B	102
12COS006* 12025		SIDE FRAME PVC PROFILE H=60 WHITE RAL9010 BAR L=5400	B	22	
12GIU001 12028		THERMAL BREAK PASSAGEWAY COVERING PVC PROFILE WHITE RAL9010 BAR L=4500	B	22	
12MON001 12023		PVC PROFILE FRAME 110 WHITE RAL9010 BAR L=5300	B	20	
12NTR002* 12015		COUNTERFRAME PVC PROFILE PERFORATED WITH PROTECTION WHITE RAL9010 BAR L=6500	A	23	
12VAR101 12029		PVC PROFILE FOR COUNTERFRAME TO SIDE FRAME CONNECTION BAR L=2000	C	23	
12VAR500		FRAME REINFORCEMENT PLASTIC PROFILE BAR L=4000	C	20	
15CPR002 15063		PLUG Ø 11,5 WHITE	A	94	
15CPR024		PLUG Ø 22 WHITE WITH WIRE HOLE Ø 6,5	B	95	
15GIU002 15016		RIGHT JOINT FOR FRAME 110 WITH GALVANIZED BOLT	-	102	
15GIU003* 15017		LEFT JOINT FOR FRAME 110 WITH GALVANIZED BOLT	B	102	
15TEL002* 15021		UPPER LEFT PLUG FOR FRAME 110	B	96	
15TEL003 15022		UPPER RIGHT PLUG FOR FRAME 110	-	96	
16PIT002 16023		GALVANIZED STEEL PLATE FOR FRAME 110 JOINT FIXING	B	102	

* = Available in different versions (dimension / side / opening sense / material / feature)
 = Disponibile in diverse versioni (dimensione / lato / senso di apertura / materiale / caratteristica)

12ABC001 For more details click on the product code / Per maggiori dettagli clicca sul codice prodotto

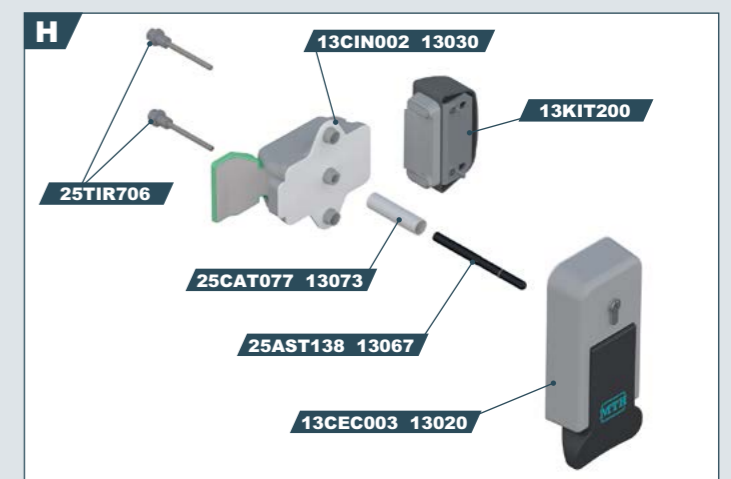
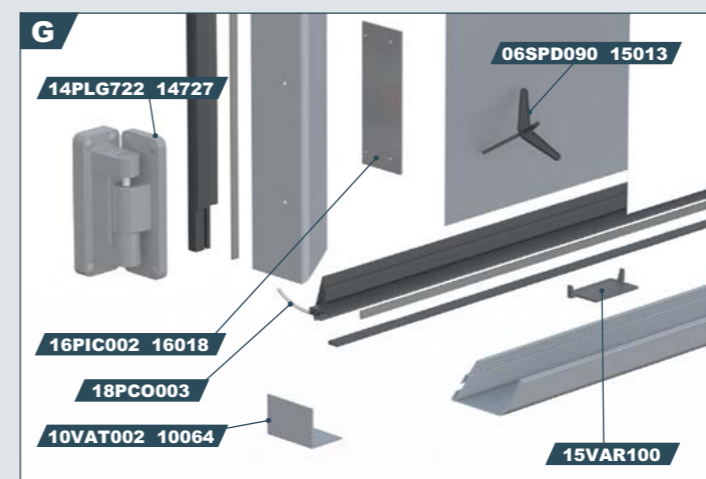
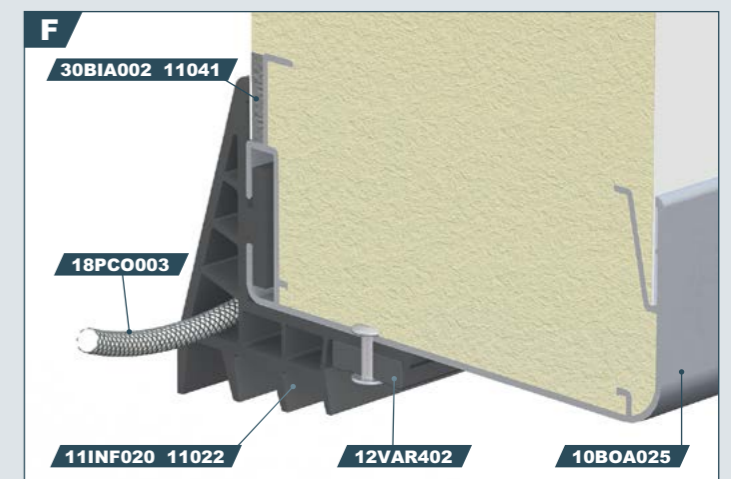
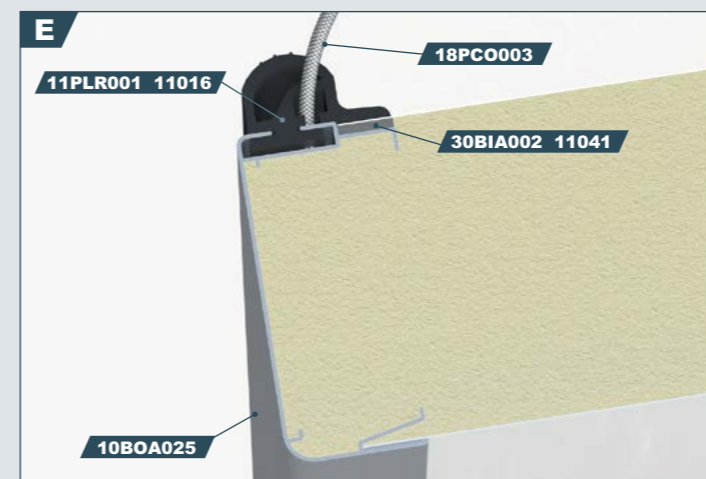
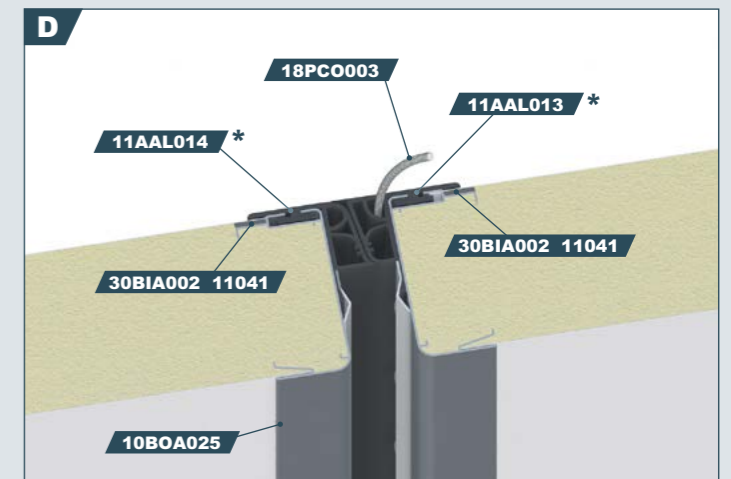
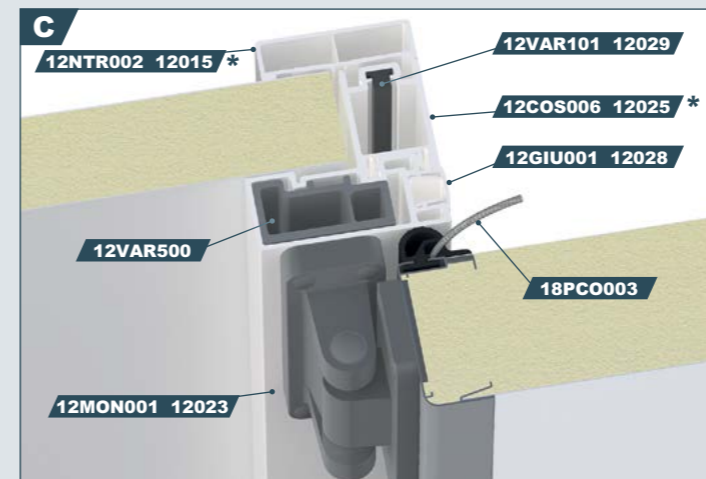
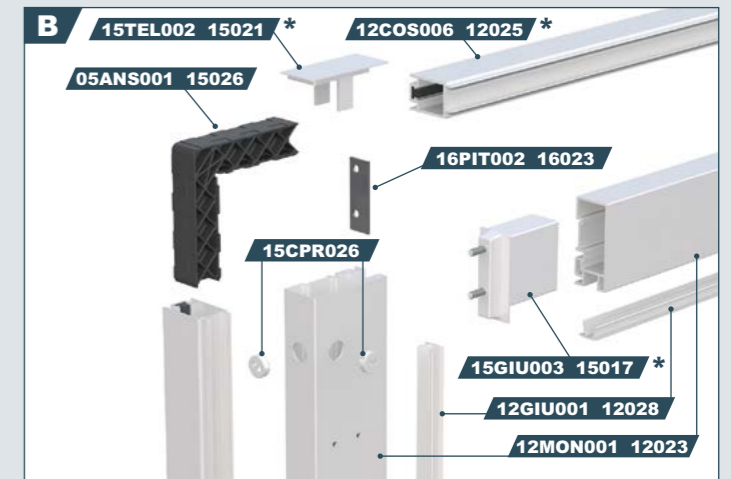




	CODE	DESCRIPTION	BOX	PAGE	
BLADE	06SPD090 15013	PLASTIC STIFF SPACER FOR DOOR TO FOAM THK=92	G	100	
	10BOA025	ANODIZED ALUMINIUM BLADE EDGE PROFILE THK=92 ANODIZED BAR L=6250	D	11	
	10VAT002 10064	INTERNAL ANGULAR REINFORCEMENT FOR BLADE EDGE THK=92	G	100	
	11AAL013*	GASKET FOR DOUBLE BLADE THK=92-151 FIXED LEAF L=3500	D	31	
	11AAL014*	GASKET FOR DOUBLE BLADE THK=92-151 MOBILE LEAF L=3500	D	30	
	11INF020 11022	LOWER GASKET FOR DOORS THK=92-151 L=4500	F	31	
	11PLR001 11016	PERIMETRAL GASKET H=25 WITH HEATING CABLE PASSAGE	E	30	
	12VAR402	FLAT PVC PROFILE FOR LOWER GASKET FIXING 15X5 BAR L=4000	F	24	
	13CEC003 13020	EXTERNAL HANDLE CSI MTH GREY RAL7004/LEVER BLACK WITH LOCK AND LOGO MTH COMPLETE WITH FOAM TAPE	H	72	
	13CIN002 13030	INTERNAL HANDLE CSI MTH GREY RAL7004/LEVER GREEN COMPLETE WITH FOAM TAPE AND ADJUSTABLE STRIKER	H	74	
	13FEI003* 13091	STAINLESS STEEL BLOCKING BAR L=300	EXP.	77	
	13KIT200	ADJUSTABLE STRIKER SET FOR INTERNAL HANDLE FOR DOUBLE-BLADED DOOR	H	75	
	14PLG722 14727	REVERSIBLE CAM HINGE H=58 GREY RAL7004 WITH PLUG FOR DOOR THK.=92	G	48	
	15CPR025	PLUG Ø 22 GREY WITH WIRE HOLE Ø 6,5	EXP.	95	
	15CPR027	PLUG Ø 22 GREY WITH TWO WIRE HOLES Ø 6,5	EXP.	95	
	15VAR100	FOAMING HOLE VALVE FOR DOORS=68-151	G	33	
	16PIC002 16018	GALVANIZED STEEL PLATE FOR HINGE FIXING WITH CAM FOR DOOR THK=92	G	104	
	18PCO003	HEATING CABLE COIL AT CONSTANT POWER 30W/230V Ø 4 SILICON-COATED WITH METAL BRAIDED SLEEVE L=250M	C	41	
	25AST138 13067	DRIVE STAFF FOR HANDLE CSI MTH L=138 FOR DOOR THK=92	H	73	
	25CAT077 13073	SLEEVE FOR HANDLE CSI MTH L=75 FOR DOOR THK=92	H	73	
	25TIR706	TIE ROD FOR HANDLE CSI MTH L=86 GREY RAL7004 FOR DOOR THK=92	H	74	
	30BIA002 11041	SPONGE TAPE BI-ADHESIVE LONG SIDE 15X4	D	36	
	FRAME	05ANP001 15027	PLASTIC ANGLE FOR COUNTERFRAME JOIN	A	103
		05ANS001 15026	PLASTIC ANGLE FOR SIDE FRAME JOIN	B	102
		12COS006* 12025	SIDE FRAME PVC PROFILE H=60 WHITE RAL9010 BAR L=5400	B	22
		12GIU001 12028	THERMAL BREAK PASSAGEWAY COVERING PVC PROFILE WHITE RAL9010 BAR L=4500	B	22
12MON001 12023		PVC PROFILE FRAME 110 WHITE RAL9010 BAR L=5300	B	20	
12NTR002* 12015		COUNTERFRAME PVC PROFILE PERFORATED WITH PROTECTION WHITE RAL9010 BAR L=6500	A	23	
12VAR101 12029		PVC PROFILE FOR COUNTEFRAME TO SIDE FRAME CONNECTION BAR L=2000	C	23	
12VAR500		FRAME REINFORCEMENT PLASTIC PROFILE BAR L=4000	C	20	
15CPR002 15063		PLUG Ø 11,5 WHITE	A	94	
15CPR024		PLUG Ø 22 WHITE WITH WIRE HOLE Ø 6,5	EXP.	95	
15CPR026		PLUG Ø 22 WHITE WITH TWO WIRE HOLES Ø 6,5	B	95	
15GIU002 15016		RIGHT JOINT FOR FRAME 110 WITH GALVANIZED BOLT	-	102	
15GIU003* 15017		LEFT JOINT FOR FRAME 110 WITH GALVANIZED BOLT	B	102	
15TEL002* 15021		UPPER LEFT PLUG FOR FRAME 110	B	96	
15TEL003 15022		UPPER RIGHT PLUG FOR FRAME 110	-	96	
16PIT002 16023		GALVANIZED STEEL PLATE FOR FRAME 110 JOINT FIXING	B	102	

* = Available in different versions (dimension / side / opening sense / material / feature)
 = Disponibile in diverse versioni (dimensione / lato / senso di apertura / materiale / caratteristica)

12ABC001 For more details click on the product code / Per maggiori dettagli clicca sul codice prodotto

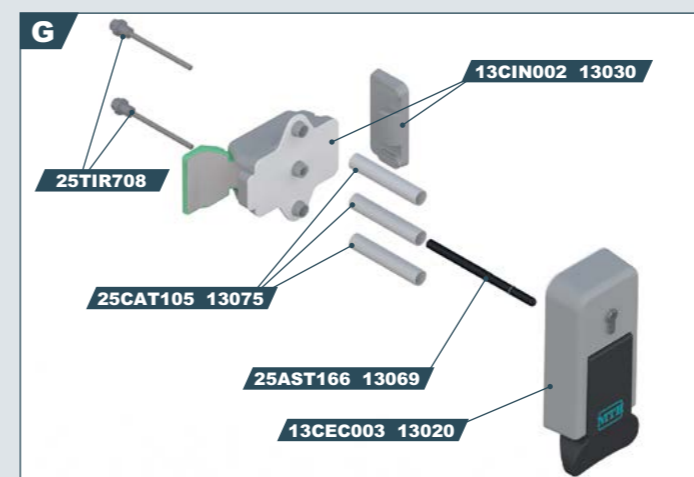
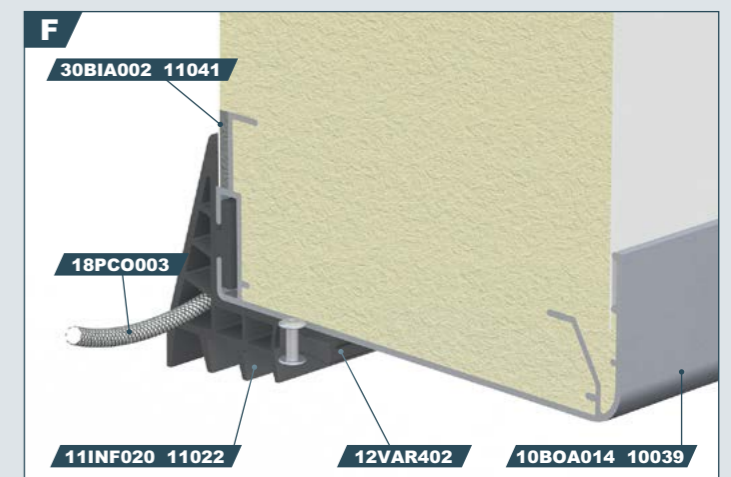
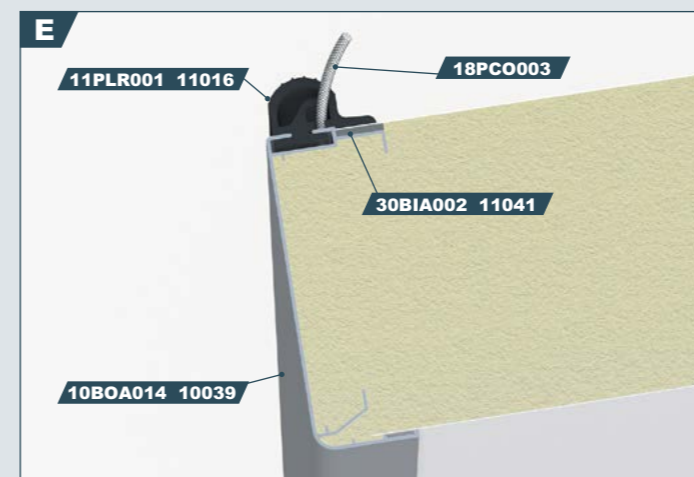
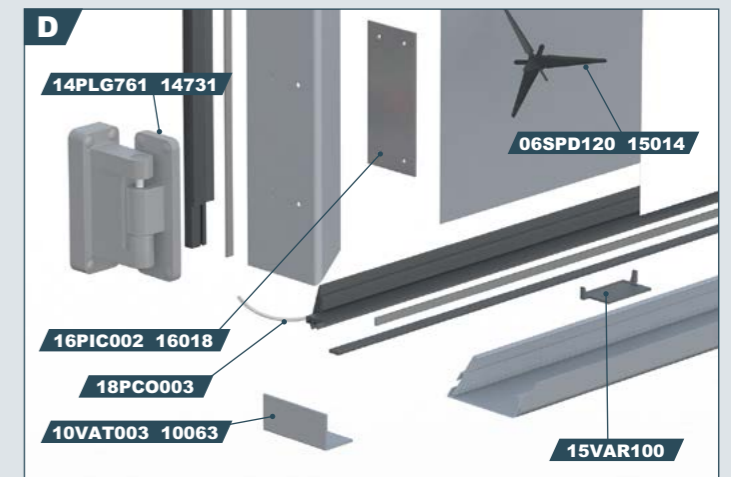
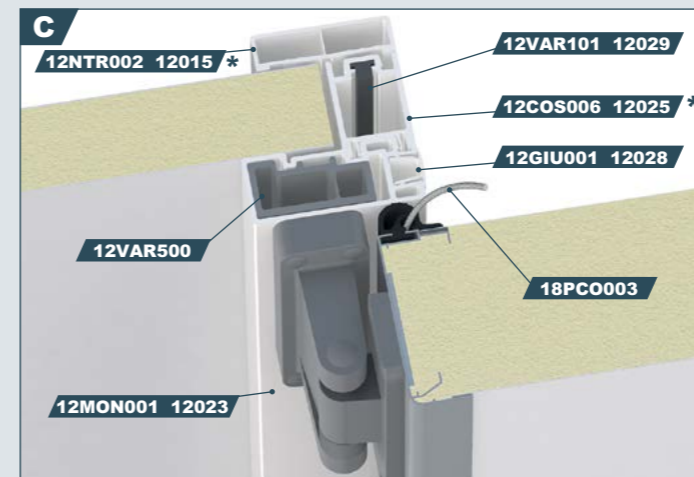
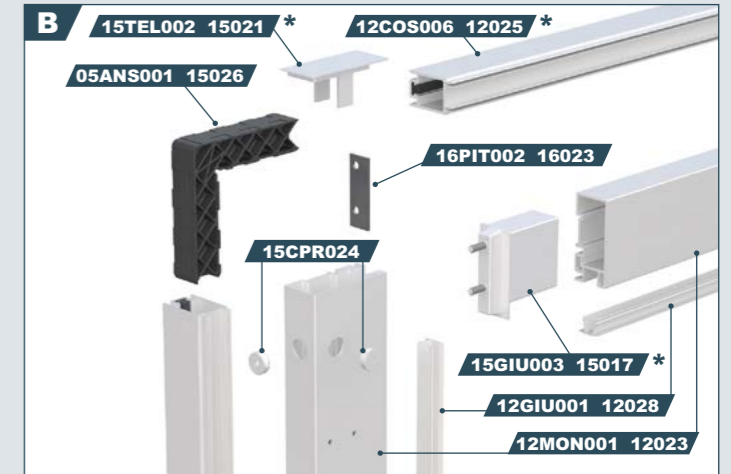




	CODE	DESCRIPTION	BOX	PAGE	
BLADE	06SPD120 15014	PLASTIC STIFF SPACER FOR DOOR TO FOAM THK=121	D	100	
	10BOA014 10039	ANODIZED ALUMINIUM BLADE EDGE PROFILE THK=121 BAR L=6500	E	12	
	10VAT003 10063	INTERNAL ANGULAR REINFORCEMENT FOR BLADE EDGE THK=121	D	100	
	11INF020 11022	LOWER GASKET FOR DOORS THK=92-151 L=4500	F	31	
	11PLR001 11016	PERIMETRAL GASKET H=25 WITH HEATING CABLE PASSAGE	E	30	
	12VAR402	FLAT PVC PROFILE FOR LOWER GASKET FIXING 15X5 BAR L=4000	F	24	
	13AMF048* 13024	PUSH BAR L=480 FOR DOOR ENTRY WIDTH 800	OPT.	75	
	13CEC003 13020	EXTERNAL HANDLE CSI MTH GREY RAL7004/LEVER BLACK WITH LOCK AND LOGO MTH COMPLETE WITH FOAM TAPE	G	72	
	13CIN002 13030	INTERNAL HANDLE CSI MTH GREY RAL7004/LEVER GREEN COMPLETE WITH FOAM TAPE AND ADJUSTABLE STRIKER	G	74	
	14PLG761 14731	REVERSIBLE CAM HINGE H=88 GREY RAL7004 WITH PLUG FOR DOOR THK.=121-151	D	48	
	15CPR025	PLUG Ø 22 GREY WITH WIRE HOLE Ø 6,5	EXP.	95	
	15VAR100	FOAMING HOLE VALVE FOR DOORS=68-151	D	33	
	16PIC002 16018	GALVANIZED STEEL PLATE FOR HINGE FIXING WITH CAM FOR DOOR THK=92	D	104	
	18PCO003	HEATING CABLE COIL AT CONSTANT POWER 30W/230V Ø 4 SILICON-COATED WITH METAL BRAIDED SLEEVE L=250M	C	41	
	25AST166 13069	DRIVE STAFF FOR HANDLE CSI MTH L=166 FOR DOOR THK=121	G	73	
	25CAT105 13075	SLEEVE FOR HANDLE CSI MTH L=105 FOR DOOR THK=121	G	73	
	25TIR708	TIE ROD FOR HANDLE CSI MTH L=116 GREY RAL7004 FOR DOOR THK=121	G	74	
	30BIA002 11041	SPONGE TAPE BI-ADHESIVE LONG SIDE 15X4	E	36	
	FRAME	05ANP001 15027	PLASTIC ANGLE FOR COUNTERFRAME JOIN	A	103
		05ANS001 15026	PLASTIC ANGLE FOR SIDE FRAME JOIN	B	102
12COS006* 12025		SIDE FRAME PVC PROFILE H=60 WHITE RAL9010 BAR L=5400	B	22	
12GIU001 12028		THERMAL BREAK PASSAGEWAY COVERING PVC PROFILE WHITE RAL9010 BAR L=4500	B	22	
12MON001 12023		PVC PROFILE FRAME 110 WHITE RAL9010 BAR L=5300	B	20	
12NTR002* 12015		COUNTERFRAME PVC PROFILE PERFORATED WITH PROTECTION WHITE RAL9010 BAR L=6500	A	23	
12VAR101 12029		PVC PROFILE FOR COUNTEFRAME TO SIDE FRAME CONNECTION BAR L=2000	C	23	
12VAR500		FRAME REINFORCEMENT PLASTIC PROFILE BAR L=4000	C	20	
15CPR002 15063		PLUG Ø 11,5 WHITE	A	94	
15CPR024		PLUG Ø 22 WHITE WITH WIRE HOLE Ø 6,5	B	95	
15GIU002 15016		RIGHT JOINT FOR FRAME 110 WITH GALVANIZED BOLT	-	102	
15GIU003* 15017		LEFT JOINT FOR FRAME 110 WITH GALVANIZED BOLT	B	102	
15TEL002* 15021		UPPER LEFT PLUG FOR FRAME 110	B	96	
15TEL003 15022		UPPER RIGHT PLUG FOR FRAME 110	-	96	
16PIT002 16023		GALVANIZED STEEL PLATE FOR FRAME 110 JOINT FIXING	B	102	

* = Available in different versions (dimension / side / opening sense / material / feature)
 = Disponibile in diverse versioni (dimensione / lato / senso di apertura / materiale / caratteristica)

12ABC001 For more details click on the product code / Per maggiori dettagli clicca sul codice prodotto

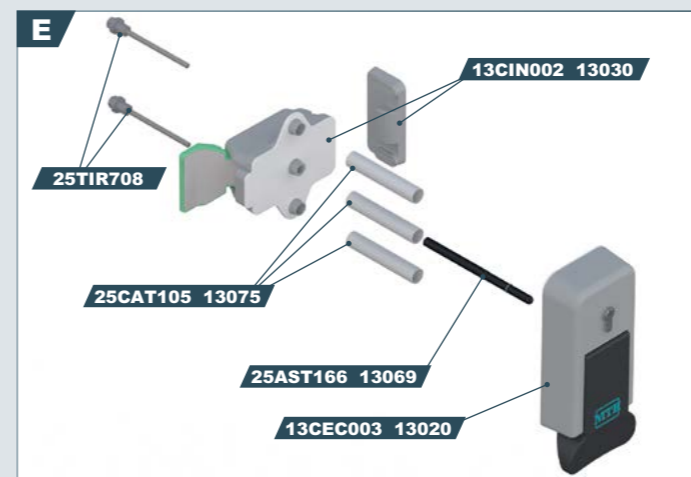
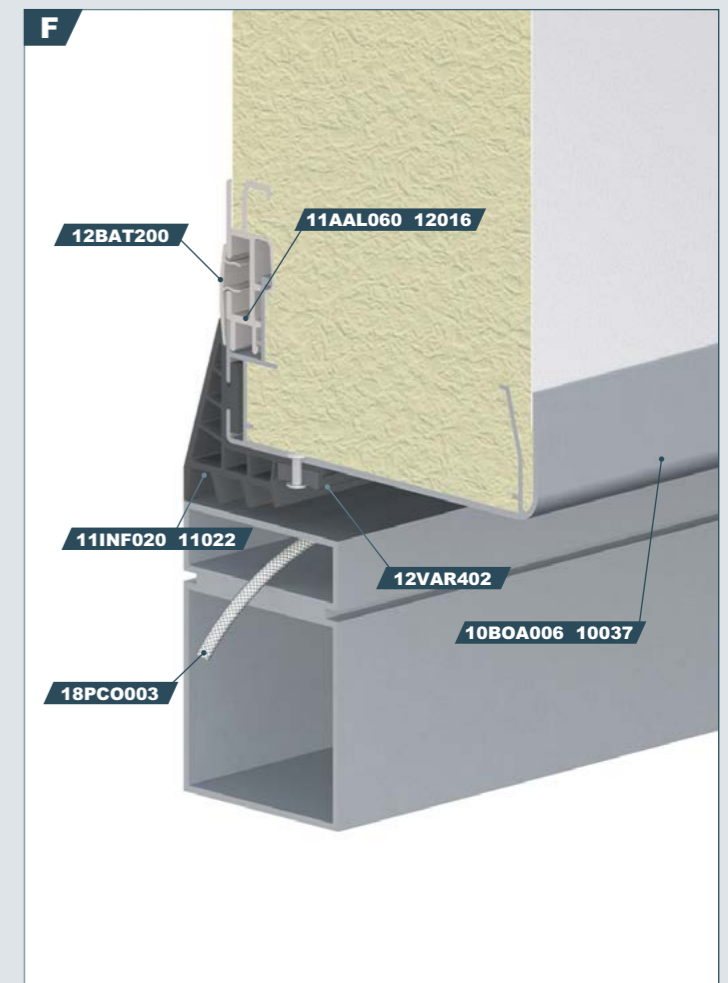
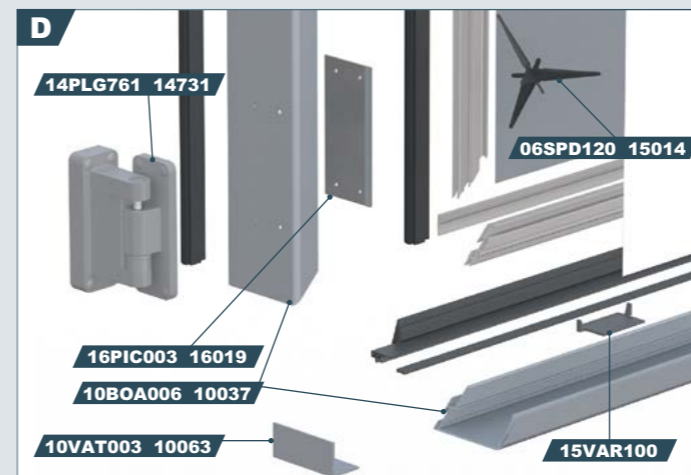
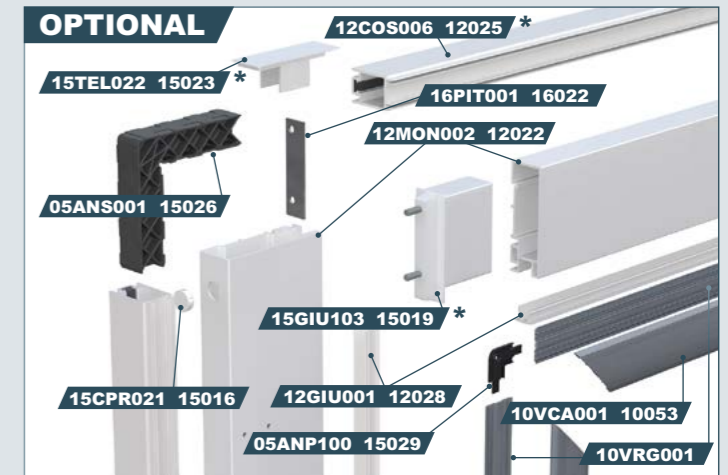
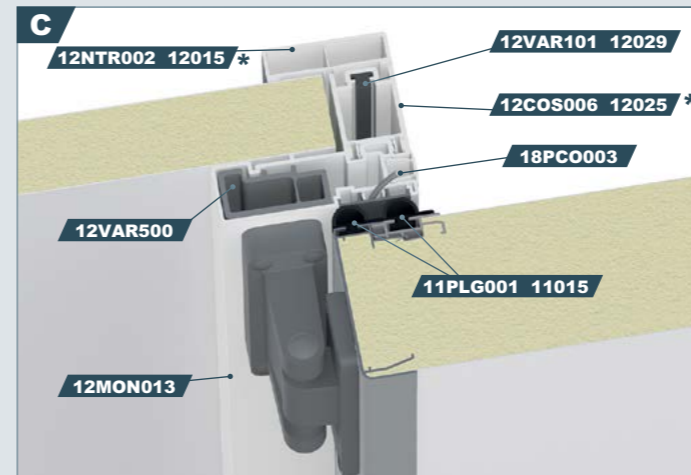




	CODE	DESCRIPTION	BOX	PAGE
BLADE	06SPD120 15014	PLASTIC STIFF SPACER FOR DOOR TO FOAM THK=121	D	100
	10BOA006 10037	ANODIZED ALUMINIUM BLADE EDGE PROFILE THK=121 FOR DOUBLE GASKET BAR L=6500	D	12
	10VAT003 10063	INTERNAL ANGULAR REINFORCEMENT FOR BLADE EDGE THK=121	D	100
	11AAL060 12016	ADDITIONAL GASKET SUPPORT PVC PROFILE GREY BAR L=6500	F	23
	11INF020 11022	LOWER GASKET FOR DOORS THK=92-151 L=4500	F	31
	11PLG001 11015	PERIMETRAL GASKET H=25 FOR DOOR THK=92-151	C	30
	12BAT200	GASKET SUPPORT COVERING PVC PROFILE GREY BAR L=6000	F	24
	12VAR402	FLAT PVC PROFILE FOR LOWER GASKET FIXING 15X5 BAR L=4000	F	24
	13CEC003 13020	EXTERNAL HANDLE CSI MTH GREY RAL7004/LEVER BLACK WITH LOCK AND LOGO MTH COMPLETE WITH FOAM TAPE	E	72
	13CIN002 13030	INTERNAL HANDLE CSI MTH GREY RAL7004/LEVER GREEN COMPLETE WITH FOAM TAPE AND ADJUSTABLE STRIKER	E	74
	14PLG761 14731	REVERSIBLE CAM HINGE H=88 GREY RAL7004 WITH PLUG FOR DOOR THK.=121-151	D	48
	15VAR100	FOAMING HOLE VALVE FOR DOORS=68-151	D	33
	16PIC003 16019	GALVANIZED STEEL PLATE FOR HINGE FIXING WITH CAM FOR DOOR THK=121	D	104
	25AST166 13069	DRIVE STAFF FOR HANDLE CSI MTH L=166 FOR DOOR THK=121	E	73
	25CAT105 13075	SLEEVE FOR HANDLE CSI MTH L=105 FOR DOOR THK=121	E	73
	25TIR708	TIE ROD FOR HANDLE CSI MTH L=116 GREY RAL7004 FOR DOOR THK=121	E	74
	FRAME	05ANP001 15027	PLASTIC ANGLE FOR COUNTERFRAME JOIN	A
05ANP100 15029		PLASTIC ANGLE FOR HEATING CABLE SUPPORT JOIN	OPT.	105
05ANS001 15026		PLASTIC ANGLE FOR SIDE FRAME JOIN	B	102
10VCA001 10053		ANODIZED ALUMINIUM HEATING CABLE SUPPORT COVERING PROFILE BAR L=6500	OPT.	14
10VCA003 10084		ANODIZED ALUMINIUM FRAME HEATING CABLE PASSAGEWAY COVERING PROFILE 140 BAR L=6500	B	14
10VRG001		ALUMINIUM HEATING CABLE SUPPORT PROFILE BAR L=6500	OPT.	14
12COS006* 12025		SIDE FRAME PVC PROFILE H=60 WHITE RAL9010 BAR L=5400	B	22
12GIU001 12028		THERMAL BREAK PASSAGEWAY COVERING PVC PROFILE WHITE RAL9010 BAR L=4500	B	22
12MON002 12022		PVC PROFILE FRAME 140 WHITE RAL9010 BAR L=5400	OPT.	21
12MON013		PVC PROFILE FRAME 140 WITH HEATING CABLE PASSAGEWAY WHITE RAL9010 BAR L=5300	B	21
12NTR002* 12015		COUNTERFRAME PVC PROFILE PERFORATED WITH PROTECTION WHITE RAL9010 BAR L=6500	A	23
12VAR101 12029		PVC PROFILE FOR COUNTEFRAME TO SIDE FRAME CONNECTION BAR L=2000	C	23
12VAR500		FRAME REINFORCEMENT PLASTIC PROFILE BAR L=4000	C	20
15CPR002 15063		PLUG Ø 11,5 WHITE	A	94
15CPR021 15061		PLUG Ø 22 WHITE	OPT.	95
15GIU102 15018		RIGHT JOINT FOR FRAME 140 WITH GALVANIZED BOLT	-	104
15GIU103* 15019		LEFT JOINT FOR FRAME 140 WITH GALVANIZED BOLT	OPT.	105
15TEL022* 15023		UPPER LEFT PLUG FOR FRAME 140	OPT.	96
15TEL023 15024	UPPER RIGHT PLUG FOR FRAME 140	-	96	
16PIT001 16022	GALVANIZED STEEL PLATE FOR FRAME 140 JOINT FIXING	OPT.	105	
18PCO003	HEATING CABLE COIL AT CONSTANT POWER 30W/230V Ø 4 SILICON-COATED WITH METAL BRAIDED SLEEVE L=250M	C	41	

* = Available in different versions (dimension / side / opening sense / material / feature)
 = Disponibile in diverse versioni (dimensione / lato / senso di apertura / materiale / caratteristica)

12ABC001 For more details click on the product code / Per maggiori dettagli clicca sul codice prodotto

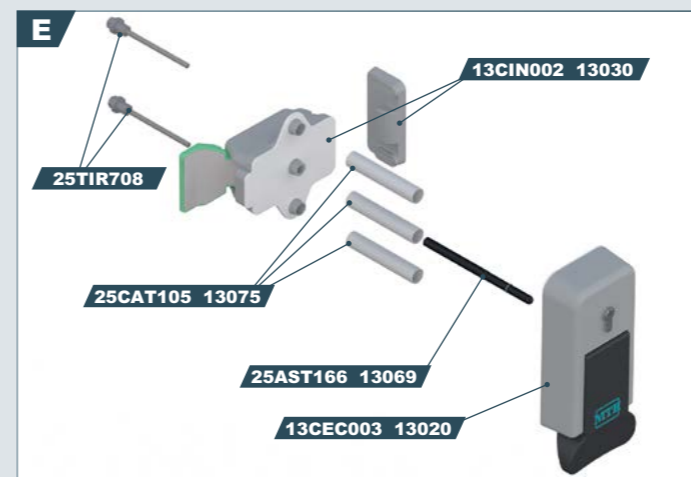
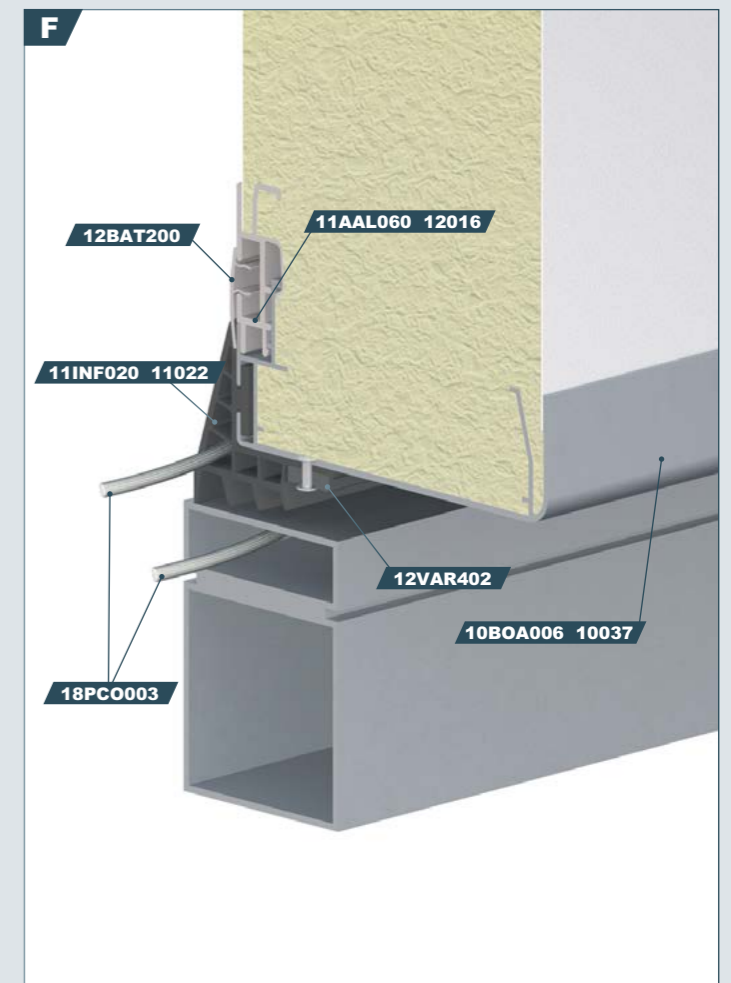
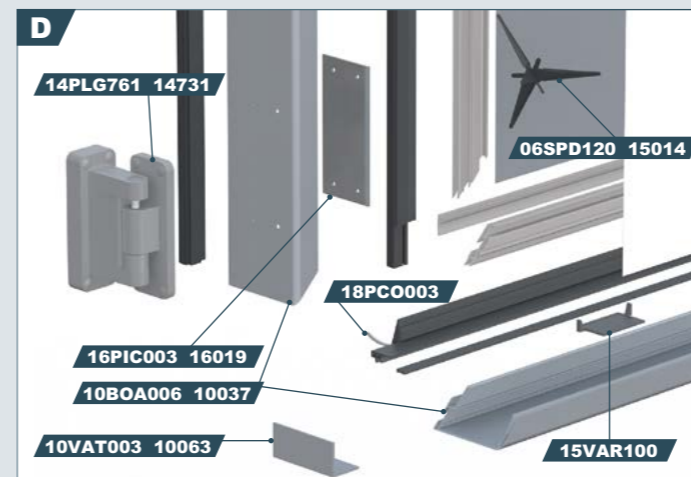
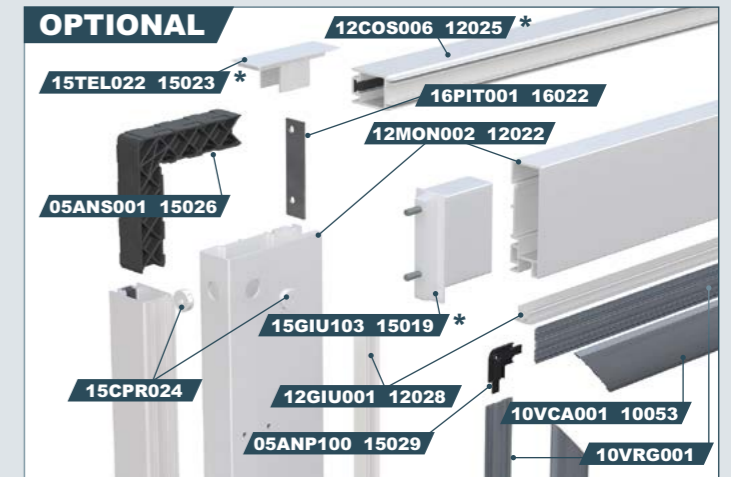
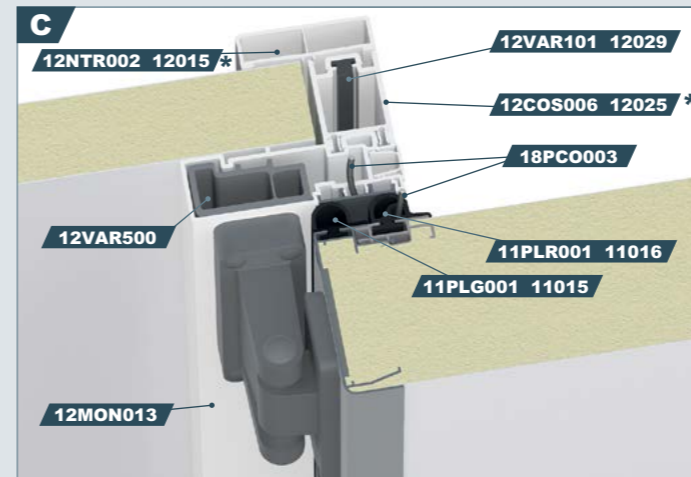
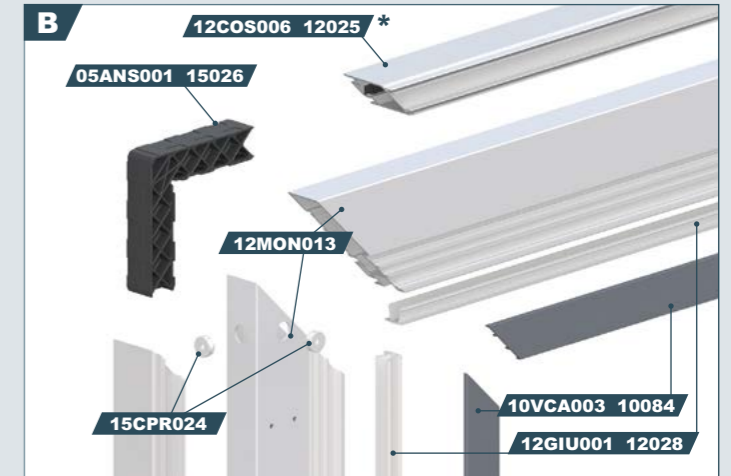




	CODE	DESCRIPTION	BOX	PAGE
BLADE	06SPD120 15014	PLASTIC STIFF SPACER FOR DOOR TO FOAM THK=121	D	100
	10BOA006 10037	ANODIZED ALUMINIUM BLADE EDGE PROFILE THK=121 FOR DOUBLE GASKET BAR L=6500	D	12
	10VAT003 10063	INTERNAL ANGULAR REINFORCEMENT FOR BLADE EDGE THK=121	D	100
	11AAL060 12016	ADDITIONAL GASKET SUPPORT PVC PROFILE GREY BAR L=6500	F	23
	11INF020 11022	LOWER GASKET FOR DOORS THK=92-151 L=4500	F	31
	11PLG001 11015	PERIMETRAL GASKET H=25 FOR DOOR THK=92-151	C	30
	11PLR001 11016	PERIMETRAL GASKET H=25 WITH HEATING CABLE PASSAGE	C	30
	12BAT200	GASKET SUPPORT COVERING PVC PROFILE GREY BAR L=6000	F	24
	12VAR402	FLAT PVC PROFILE FOR LOWER GASKET FIXING 15X5 BAR L=4000	F	24
	13CEC003 13020	EXTERNAL HANDLE CSI MTH GREY RAL7004/LEVER BLACK WITH LOCK AND LOGO MTH COMPLETE WITH FOAM TAPE	E	72
	13CIN002 13030	INTERNAL HANDLE CSI MTH GREY RAL7004/LEVER GREEN COMPLETE WITH FOAM TAPE AND ADJUSTABLE STRIKER	E	74
	14PLG761 14731	REVERSIBLE CAM HINGE H=88 GREY RAL7004 WITH PLUG FOR DOOR THK.=121-151	D	48
	15CPR025	PLUG Ø 22 GREY WITH WIRE HOLE Ø 6,5	EXP.	95
	15VAR100	FOAMING HOLE VALVE FOR DOORS=68-151	D	33
	16PIC003 16019	GALVANIZED STEEL PLATE FOR HINGE FIXING WITH CAM FOR DOOR THK=121	D	104
	18PCO003	HEATING CABLE COIL AT CONSTANT POWER 30W/230V Ø 4 SILICON-COATED WITH METAL BRAIDED SLEEVE L=250M	C	41
	25AST166 13069	DRIVE STAFF FOR HANDLE CSI MTH L=166 FOR DOOR THK=121	E	73
	25CAT105 13075	SLEEVE FOR HANDLE CSI MTH L=105 FOR DOOR THK=121	E	73
	25TIR708	TIE ROD FOR HANDLE CSI MTH L=116 GREY RAL7004 FOR DOOR THK=121	E	74
	FRAME	05ANP001 15027	PLASTIC ANGLE FOR COUNTERFRAME JOIN	A
05ANP100 15029		PLASTIC ANGLE FOR HEATING CABLE SUPPORT JOIN	OPT.	105
05ANS001 15026		PLASTIC ANGLE FOR SIDE FRAME JOIN	B	102
10VCA001 10053		ANODIZED ALUMINIUM HEATING CABLE SUPPORT COVERING PROFILE BAR L=6500	OPT.	14
10VCA003 10084		ANODIZED ALUMINIUM FRAME HEATING CABLE PASSAGEWAY COVERING PROFILE 140 BAR L=6500	B	14
10VRG001		ALUMINIUM HEATING CABLE SUPPORT PROFILE BAR L=6500	OPT.	14
12COS006* 12025		SIDE FRAME PVC PROFILE H=60 WHITE RAL9010 BAR L=5400	B	22
12GIU001 12028		THERMAL BREAK PASSAGEWAY COVERING PVC PROFILE WHITE RAL9010 BAR L=4500	B	22
12MON002 12022		PVC PROFILE FRAME 140 WHITE RAL9010 BAR L=5400	OPT.	21
12MON013		PVC PROFILE FRAME 140 WITH HEATING CABLE PASSAGEWAY WHITE RAL9010 BAR L=5300	B	21
12NTR002* 12015		COUNTERFRAME PVC PROFILE PERFORATED WITH PROTECTION WHITE RAL9010 BAR L=6500	A	23
12VAR101 12029		PVC PROFILE FOR COUNTEFRAME TO SIDE FRAME CONNECTION BAR L=2000	C	23
12VAR500		FRAME REINFORCEMENT PLASTIC PROFILE BAR L=4000	C	20
15CPR002 15063		PLUG Ø 11,5 WHITE	A	94
15CPR024		PLUG Ø 22 WHITE WITH WIRE HOLE Ø 6,5	B	95
15GIU102 15018		RIGHT JOINT FOR FRAME 140 WITH GALVANIZED BOLT	-	104
15GIU103* 15019		LEFT JOINT FOR FRAME 140 WITH GALVANIZED BOLT	OPT.	105
15TEL022* 15023		UPPER LEFT PLUG FOR FRAME 140	OPT.	96
15TEL023 15024		UPPER RIGHT PLUG FOR FRAME 140	-	96
16PIT001 16022		GALVANIZED STEEL PLATE FOR FRAME 140 JOINT FIXING	OPT.	105
18PCO003	HEATING CABLE COIL AT CONSTANT POWER 30W/230V Ø 4 SILICON-COATED WITH METAL BRAIDED SLEEVE L=250M	C	41	

* = Available in different versions (dimension / side / opening sense / material / feature)
 = Disponibile in diverse versioni (dimensione / lato / senso di apertura / materiale / caratteristica)

12ABC001 For more details click on the product code / Per maggiori dettagli clicca sul codice prodotto



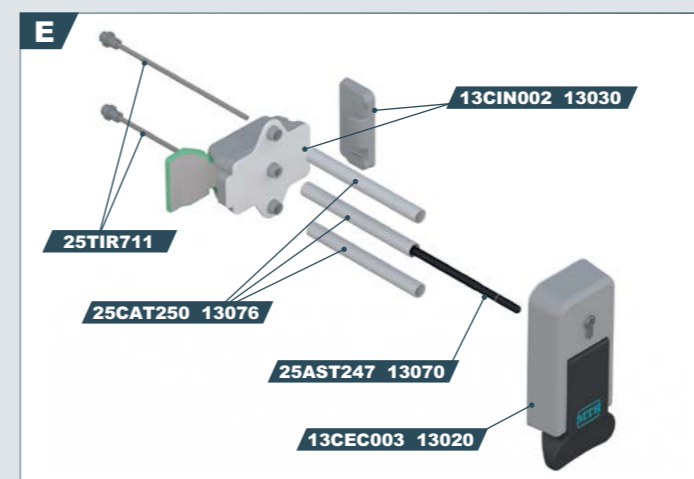
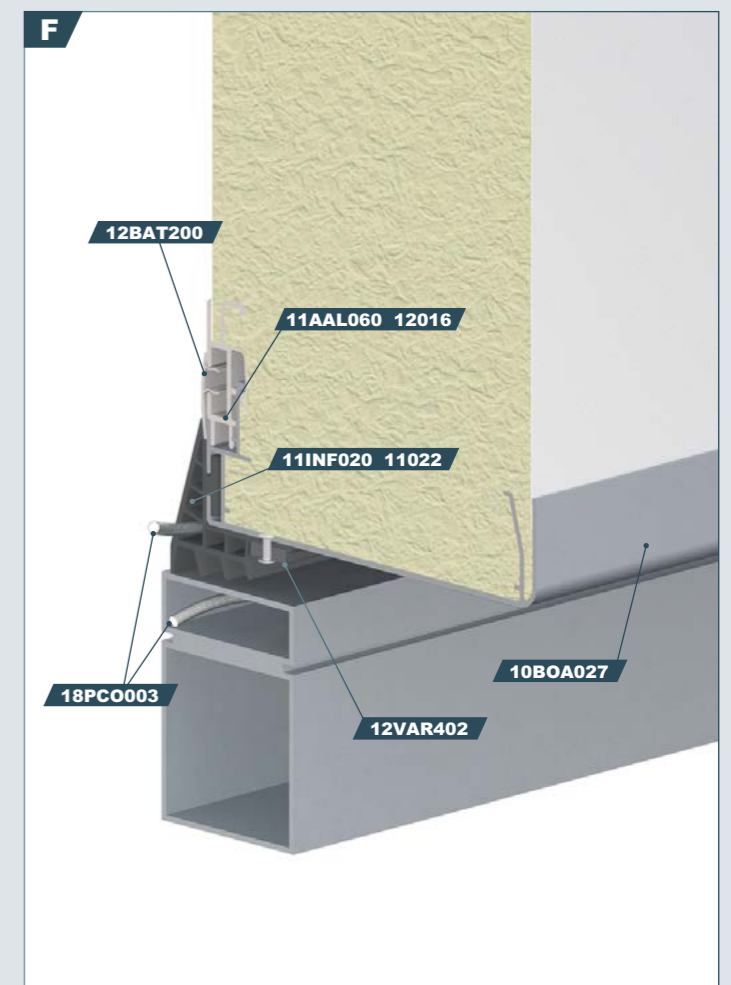
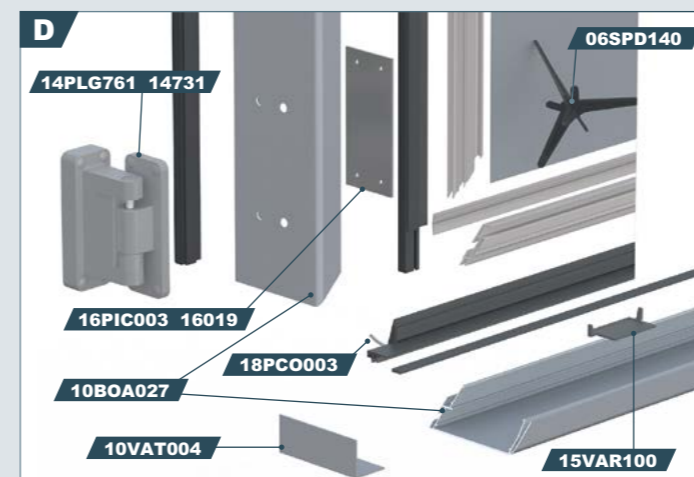
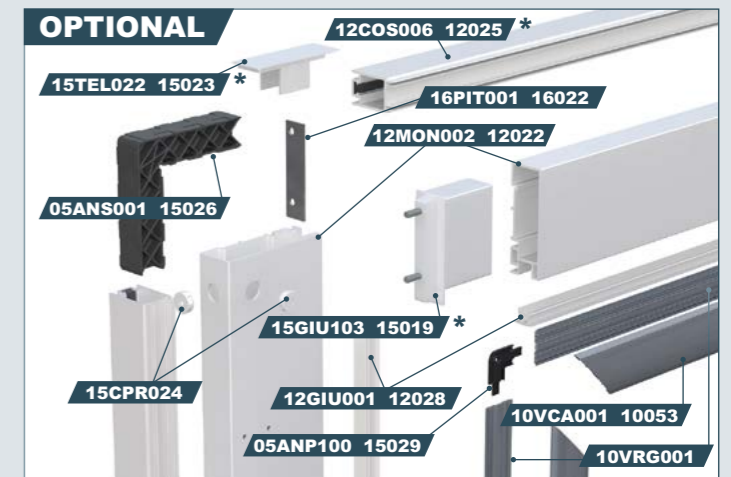
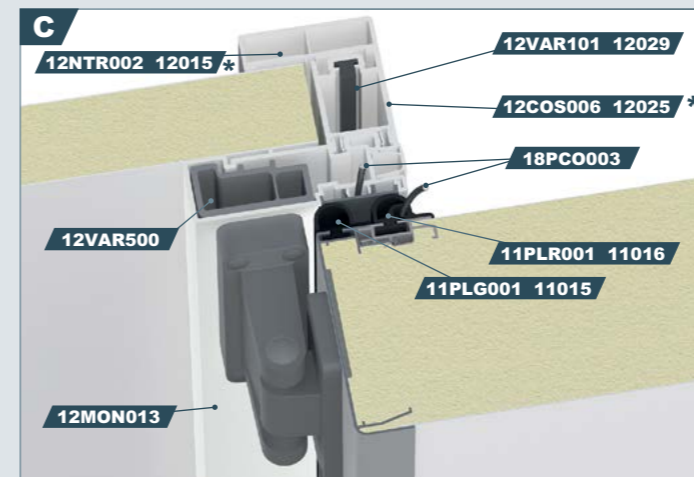
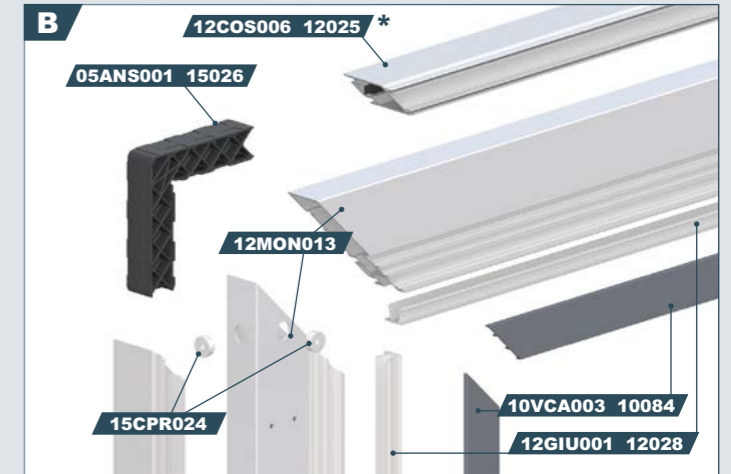


	CODE	DESCRIPTION	BOX	PAGE
BLADE	06SPD140	PLASTIC STIFF SPACER FOR DOOR TO FOAM THK=151	D	100
	10BOA027	ANODIZED ALUMINIUM BLADE EDGE PROFILE THK=151 BAR L=4200	D	12
	10VAT004	INTERNAL ANGULAR REINFORCEMENT FOR BLADE EDGE THK=151	D	100
	11AAL060 12016	ADDITIONAL GASKET SUPPORT PVC PROFILE GREY BAR L=6500	F	23
	11INF020 11022	LOWER GASKET FOR DOORS THK=92-151 L=4500	F	31
	11PLG001 11015	PERIMETRAL GASKET H=25 FOR DOOR THK=92-151	C	30
	11PLR001 11016	PERIMETRAL GASKET H=25 WITH HEATING CABLE PASSAGE	C	30
	12BAT200	GASKET SUPPORT COVERING PVC PROFILE GREY BAR L=6000	F	24
	12VAR402	FLAT PVC PROFILE FOR LOWER GASKET FIXING 15X5 BAR L=4000	F	24
	13CEC003 13020	EXTERNAL HANDLE CSI MTH GREY RAL7004/LEVER BLACK WITH LOCK AND LOGO MTH COMPLETE WITH FOAM TAPE	E	72
	13CIN002 13030	INTERNAL HANDLE CSI MTH GREY RAL7004/LEVER GREEN COMPLETE WITH FOAM TAPE AND ADJUSTABLE STRIKER	E	74
	14PLG761 14731	REVERSIBLE CAM HINGE H=88 GREY RAL7004 WITH PLUG FOR DOOR THK.=121-151	D	48
	15CPR025	PLUG Ø 22 GREY WITH WIRE HOLE Ø 6,5	EXP.	95
	15VAR100	FOAMING HOLE VALVE FOR DOORS=68-151	D	33
	16PIC003 16019	GALVANIZED STEEL PLATE FOR HINGE FIXING WITH CAM FOR DOOR THK=121	D	104
	18PCO003	HEATING CABLE COIL AT CONSTANT POWER 30W/230V Ø 4 SILICON-COATED WITH METAL BRAIDED SLEEVE L=250M	C	41
	25AST247 13070	DRIVE STAFF FOR HANDLE CSI MTH L=247 DOOR THK=UNIVERSAL	E	73
	25CAT250 13076	SLEEVE FOR HANDLE CSI MTH L=187 FOR DOOR THK=UNIVERSAL	E	73
	25TIR711	TIE ROD FOR HANDLE CSI MTH L=198 GREY RAL7004 FOR DOOR THK=UNIVERSAL	E	74

	CODE	DESCRIPTION	BOX	PAGE
FRAME	05ANP001 15027	PLASTIC ANGLE FOR COUNTERFRAME JOIN	A	103
	05ANP100 15029	PLASTIC ANGLE FOR HEATING CABLE SUPPORT JOIN	OPT.	105
	05ANS001 15026	PLASTIC ANGLE FOR SIDE FRAME JOIN	B	102
	10VCA001 10053	ANODIZED ALUMINIUM HEATING CABLE SUPPORT COVERING PROFILE BAR L=6500	OPT.	14
	10VCA003 10084	ANODIZED ALUMINIUM FRAME HEATING CABLE PASSAGEWAY COVERING PROFILE 140 BAR L=6500	B	14
	10VRG001	ALUMINIUM HEATING CABLE SUPPORT PROFILE BAR L=6500	OPT.	14
	12COS006* 12025	SIDE FRAME PVC PROFILE H=60 WHITE RAL9010 BAR L=5400	B	22
	12GIU001 12028	THERMAL BREAK PASSAGEWAY COVERING PVC PROFILE WHITE RAL9010 BAR L=4500	B	22
	12MON002 12022	PVC PROFILE FRAME 140 WHITE RAL9010 BAR L=5400	OPT.	21
	12MON013	PVC PROFILE FRAME 140 WITH HEATING CABLE PASSAGEWAY WHITE RAL9010 BAR L=5300	B	21
	12NTR002* 12015	COUNTERFRAME PVC PROFILE PERFORATED WITH PROTECTION WHITE RAL9010 BAR L=6500	A	23
	12VAR101 12029	PVC PROFILE FOR COUNTEFRAME TO SIDE FRAME CONNECTION BAR L=2000	C	23
	12VAR500	FRAME REINFORCEMENT PLASTIC PROFILE BAR L=4000	C	20
	15CPR002 15063	PLUG Ø 11,5 WHITE	A	94
	15CPR024	PLUG Ø 22 WHITE WITH WIRE HOLE Ø 6,5	B	95
	15GIU102 15018	RIGHT JOINT FOR FRAME 140 WITH GALVANIZED BOLT	-	104
	15GIU103* 15019	LEFT JOINT FOR FRAME 140 WITH GALVANIZED BOLT	OPT.	105
	15TEL022* 15023	UPPER LEFT PLUG FOR FRAME 140	OPT.	96
	15TEL023 15024	UPPER RIGHT PLUG FOR FRAME 140	-	96
	16PIT001 16022	GALVANIZED STEEL PLATE FOR FRAME 140 JOINT FIXING	OPT.	105
	18PCO003	HEATING CABLE COIL AT CONSTANT POWER 30W/230V Ø 4 SILICON-COATED WITH METAL BRAIDED SLEEVE L=250M	C	41

* = Available in different versions (dimension / side / opening sense / material / feature)
 = Disponibile in diverse versioni (dimensione / lato / senso di apertura / materiale / caratteristica)

12ABC001 For more details click on the product code / Per maggiori dettagli clicca sul codice prodotto



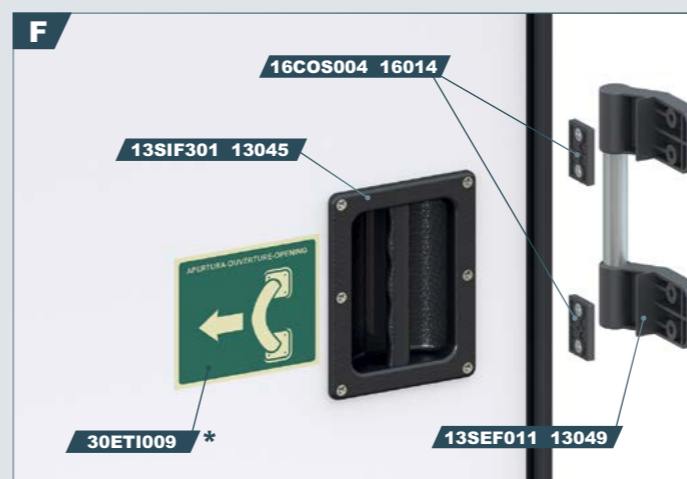
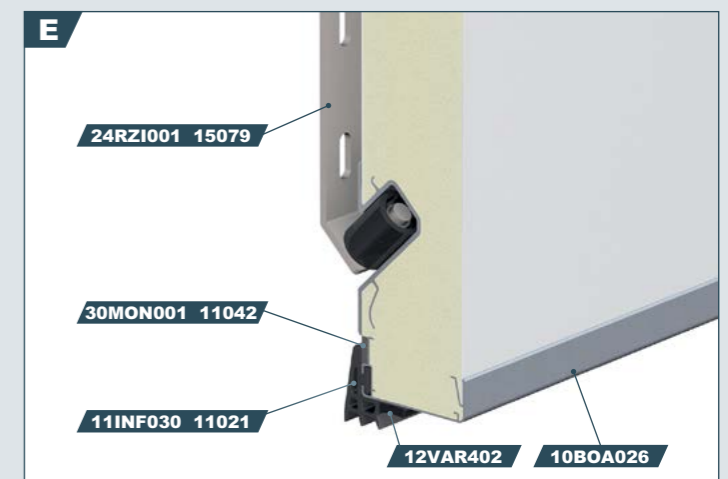
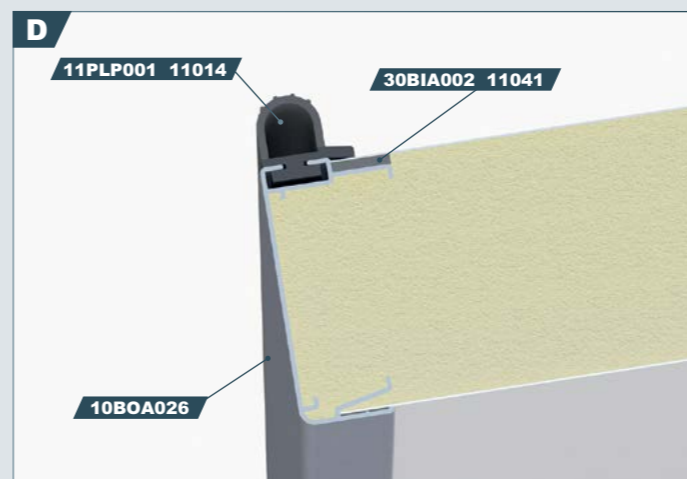
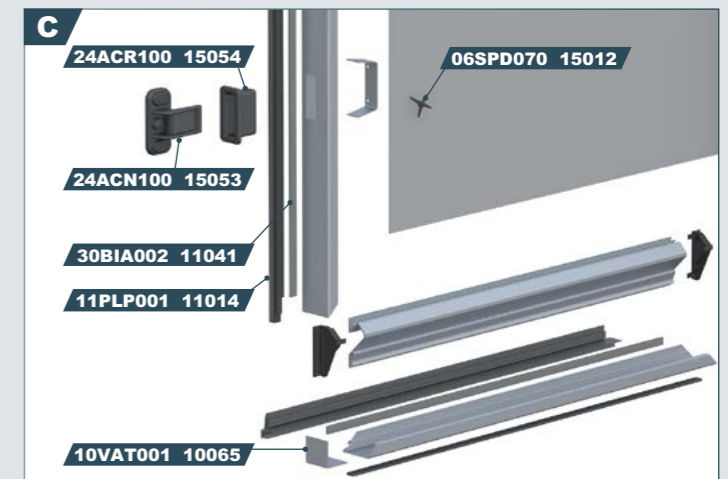
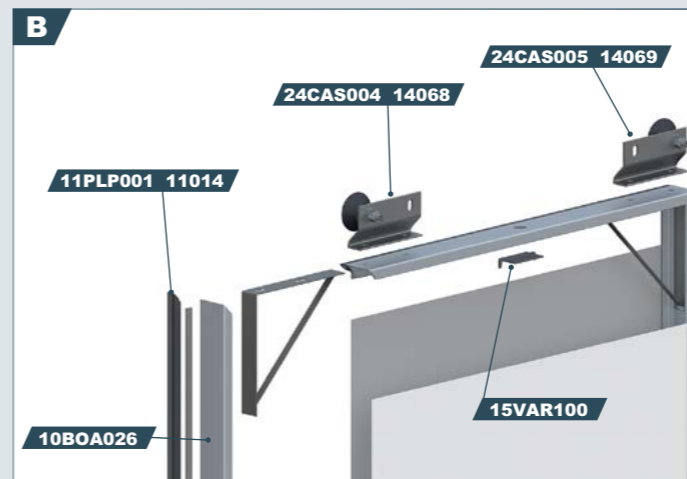
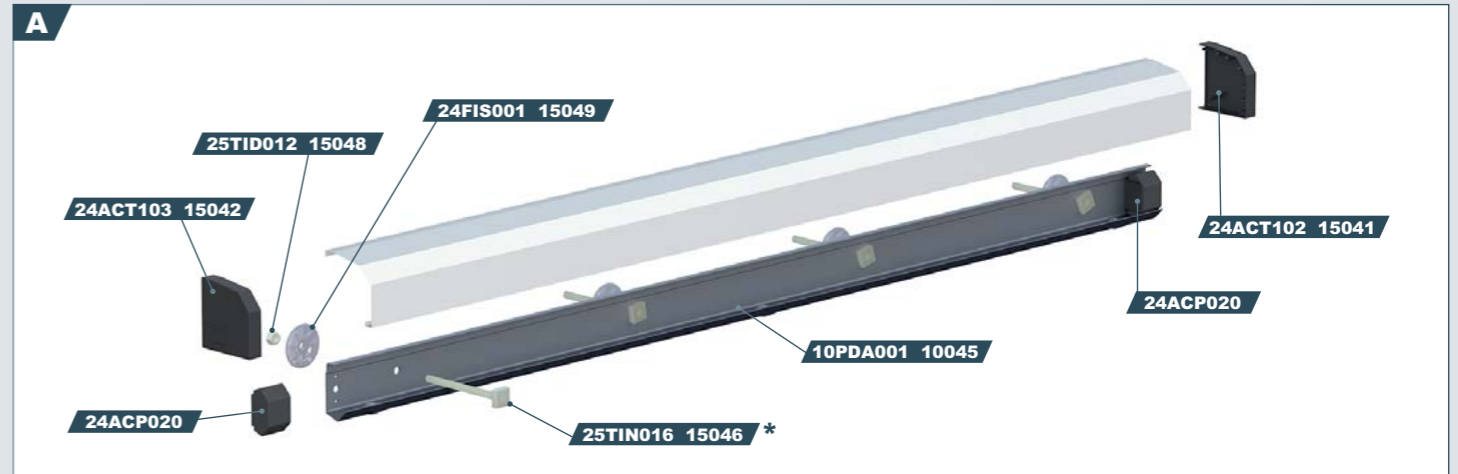


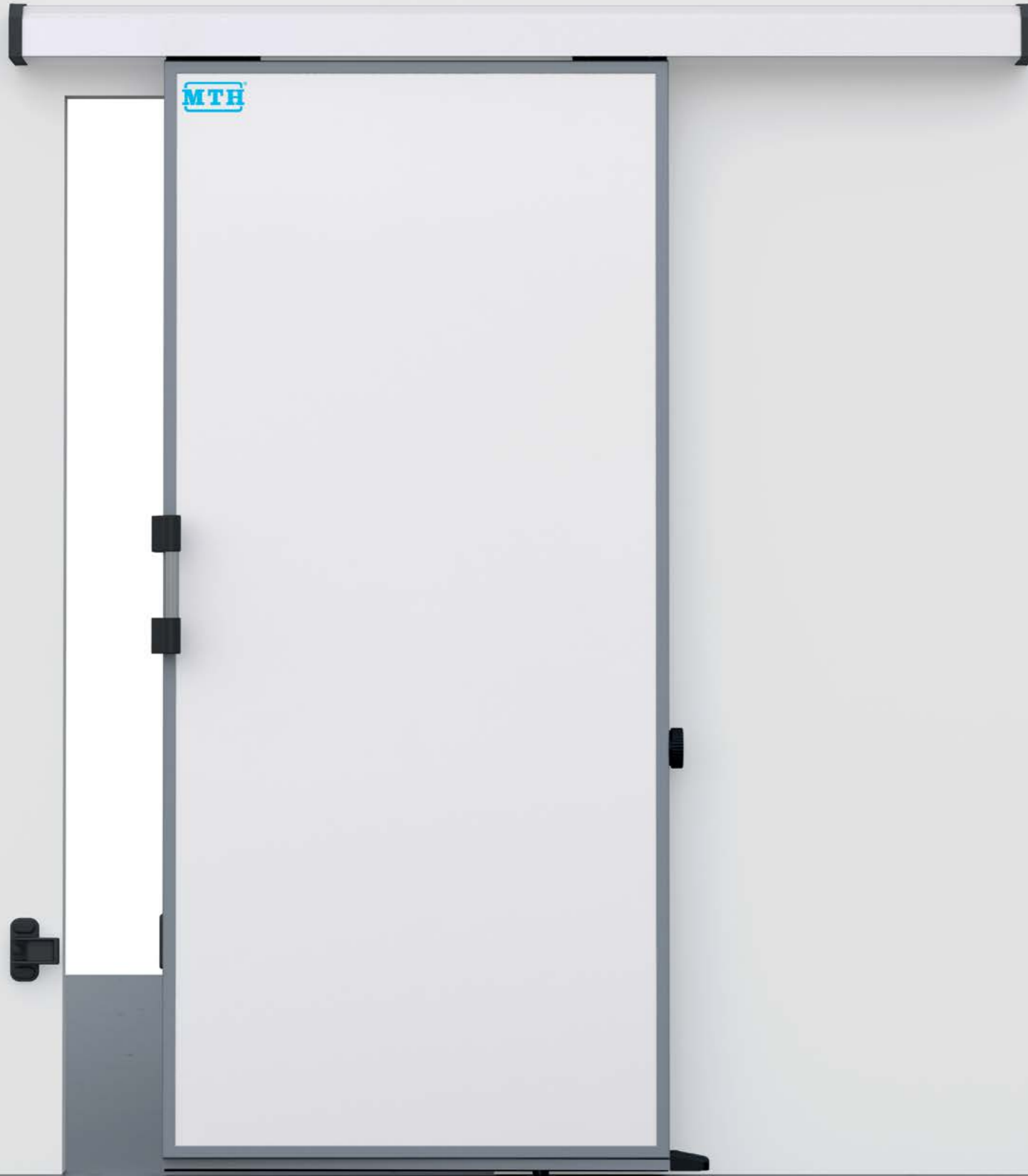
	CODE	DESCRIPTION	BOX	PAGE
BLADE	06SPD070 15012	PLASTIC STIFF SPACER FOR DOOR TO FOAM THK=68	C	100
	10BOA026	ANODIZED ALUMINIUM BLADE EDGE PROFILE THK=68 BAR L=6400	B	11
	10VAT001 10065	INTERNAL ANGULAR REINFORCEMENT FOR BLADE EDGE THK=68	C	100
	11INF030 11021	LOWER GASKET FOR DOORS THK=68	E	31
	11PLP001 11014	PERIMETRAL GASKET H=18,5 FOR DOOR THK=68	B	29
	12VAR402	FLAT PVC PROFILE FOR LOWER GASKET FIXING 15X5 BAR L=4000	E	24
	13NQF001 13059	REVERSIBLE LOCK "ART. 94" FOR ASYMMETRIC SLIDING DOOR L=245	OPT.	83
	13SEF011 13049	REVERSIBLE EXTERNAL FIXED HANDLE WITH STAINLESS STEEL TUBE COMPLETE WITH PLUGS	F	78
	13SIF301 13045	INTERNAL PLASTIC DEEP-SET HANDLE	F	78
	15VAR100	FOAMING HOLE VALVE FOR DOORS=68-151	B	33
	16COS004 16014	PLASTIC FIXING PLATE 60X40X8 WITH GALVANIZED NUTS 2XM8	F	106
	30BIA002 11041	SPONGE TAPE BI-ADHESIVE LONG SIDE 15X4	C	36
	30ETI009*	FLUORESCENT PVC LABEL FOR FIXED HANDLE FOR DOOR WITH RIGHT OPENING	F	78
	30ETI011	FLUORESCENT PVC LABEL FOR LOCK "ART. 94"	OPT.	83
	30MON001 11042	SPONGE TAPE BLACK ONE-SIDED ADHESIVE LONG SIDE 15X4	E	36

	CODE	DESCRIPTION	BOX	PAGE
SLIDING SYSTEM	10PDA001 10045	ANODIZED ALUMINIUM TRACK PROFILE MODEL 240 BAR L=7000	A	14
	24ACN100 15053	LOWER CLOSING HOOK COMPLETE WITH PLUGS FOR SLIDING DOOR MODEL 240	C	78
	24ACP020	REVERSIBLE LIMIT STOP FOR TRACK MODEL 240	A	52
	24ACR100 15054	LOWER CLOSING HOOK STRIKER FOR SLIDING DOOR MODEL 240	C	79
	24ACT102 15041	RIGHT TRACK COVER HEAD FOR TRACK MODEL 240	A	52
	24ACT103 15042	LEFT TRACK COVER HEAD FOR TRACK MODEL 240	A	52
	24CAS004 14068	FULL LEFT ALUMINIUM PULLEY MODEL 240	B	52
	24CAS005 14069	FULL RIGHT ALUMINIUM PULLEY MODEL 240	B	52
	24FIS001 15049	PLASTIC WASHER Ø 12,5	A	106
	24RZI001 15079	COMPLETE GALVANIZED REGISTER FOR 240 AM MODEL INTERNAL GUIDE	E	52
	25TID012 15048	NUT FOR NYLON TENSION-ROD M12	A	106
	25TIN016 15046	NYLON TENSION-ROD M12 L=160	A	105

* = Available in different versions (dimension / side / opening sense / material / feature)
 = Disponibile in diverse versioni (dimensione / lato / senso di apertura / materiale / caratteristica)

12ABC001 For more details click on the product code / Per maggiori dettagli clicca sul codice prodotto

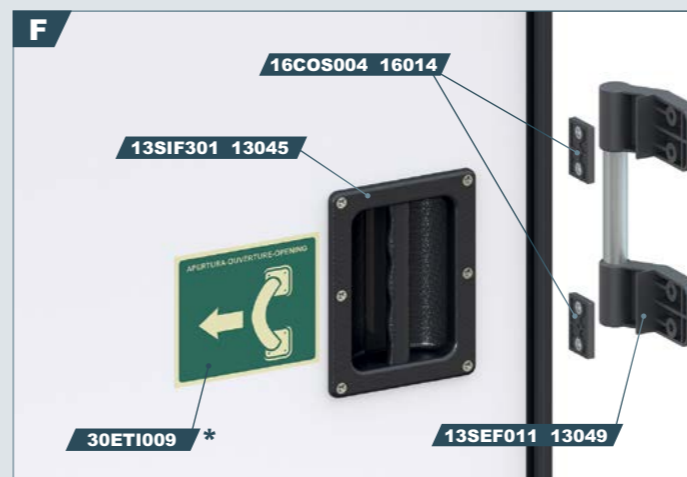
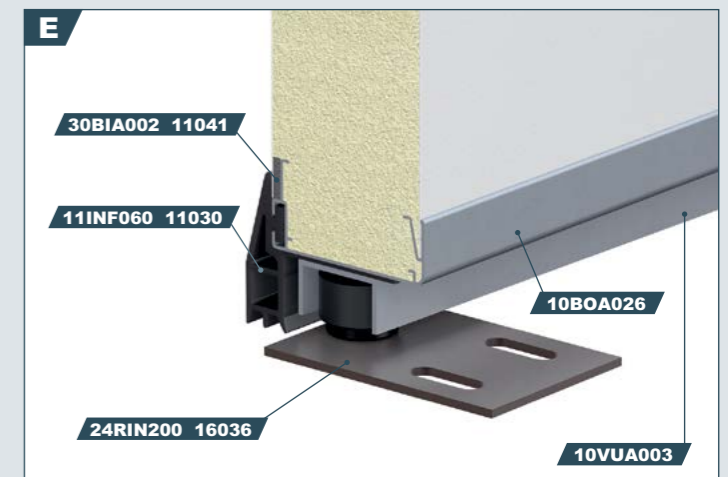
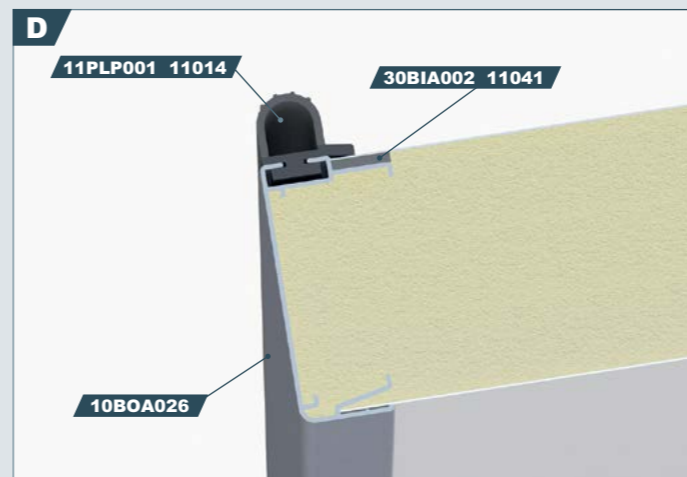
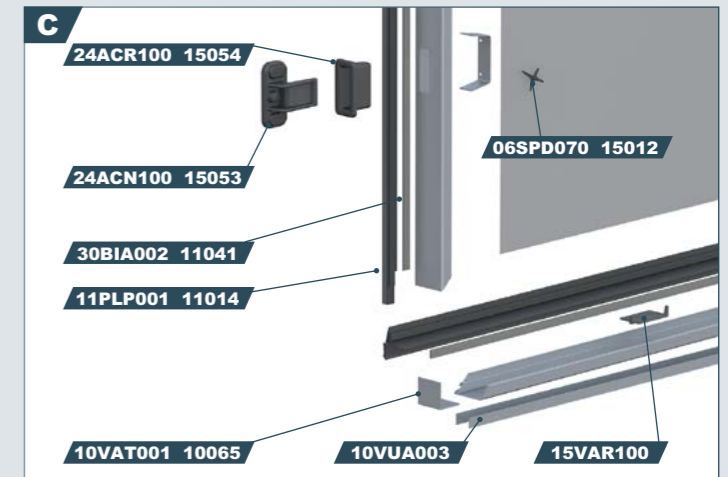
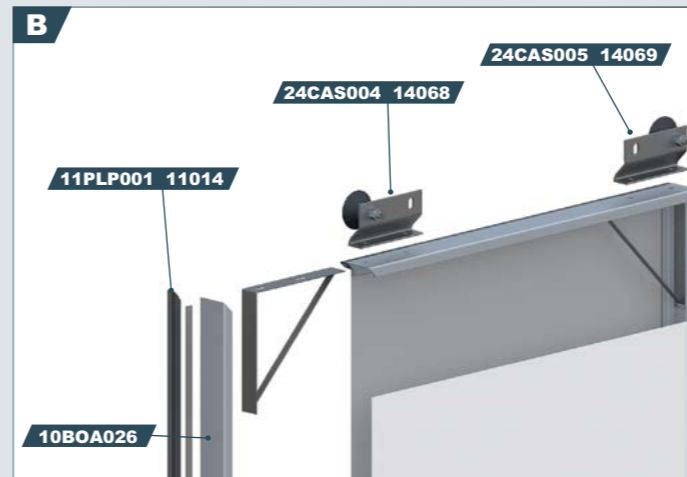
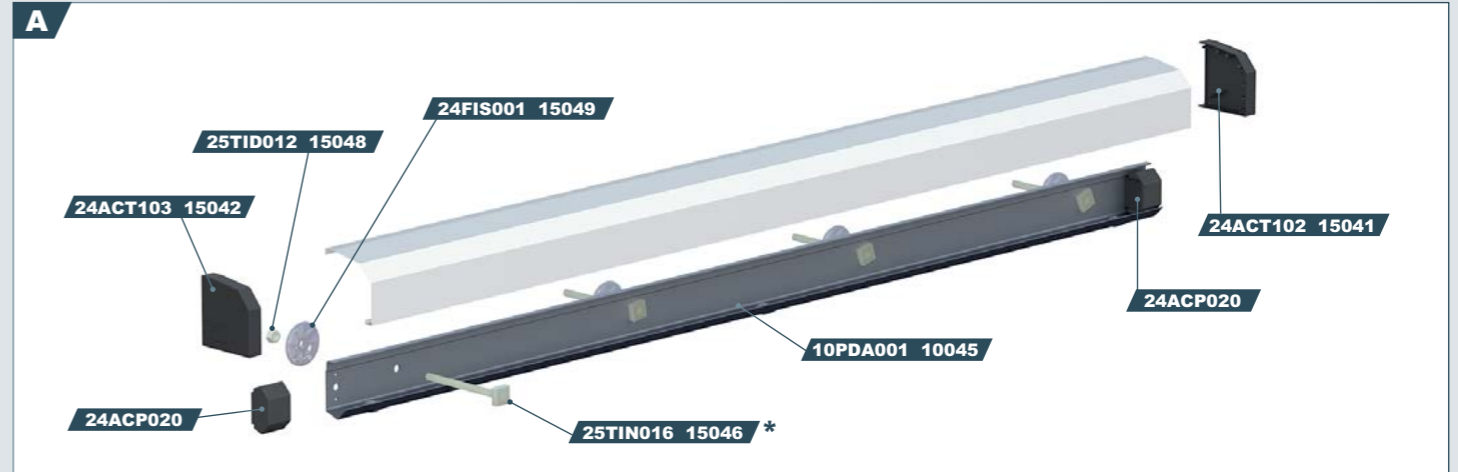




	CODE	DESCRIPTION	BOX	PAGE
BLADE	06SPD070 15012	PLASTIC STIFF SPACER FOR DOOR TO FOAM THK=68	C	100
	10BOA026	ANODIZED ALUMINIUM BLADE EDGE PROFILE THK=68 BAR L=6400	B	11
	10VAT001 10065	INTERNAL ANGULAR REINFORCEMENT FOR BLADE EDGE THK=68	C	100
	11INF060 11030	LOWER GASKET FOR DOORS THK=68 WITH LOWER FLOOR GUIDE	E	31
	11PLP001 11014	PERIMETRAL GASKET H=18,5 FOR DOOR THK=68	B	29
	13NQF001 13059	REVERSIBLE LOCK "ART. 94" FOR ASYMMETRIC SLIDING DOOR L=245	OPT.	83
	13SEF011 13049	REVERSIBLE EXTERNAL FIXED HANDLE WITH STAINLESS STEEL TUBE COMPLETE WITH PLUGS	F	78
	13SIF301 13045	INTERNAL PLASTIC DEEP-SET HANDLE	F	78
	15VAR100	FOAMING HOLE VALVE FOR DOORS=68-151	C	33
	16COS004 16014	PLASTIC FIXING PLATE 60X40X8 WITH GALVANIZED NUTS 2XM8	F	106
	30BIA002 11041	SPONGE TAPE BI-ADHESIVE LONG SIDE 15X4	C	36
	30ETI009*	FLUORESCENT PVC LABEL FOR FIXED HANDLE FOR DOOR WITH LEFT OPENING	F	78
	30ETI011	FLUORESCENT PVC LABEL FOR LOCK "ART. 94"	OPT.	83
	SLIDING SYSTEM	10PDA001 10045	ANODIZED ALUMINIUM TRACK PROFILE MODEL 240 BAR L=7000	A
10VUA003		ANODIZED ALUMINIUM U-PROFILE 35X20X2 BAR L=6000	C	17
24ACN100 15053		LOWER CLOSING HOOK COMPLETE WITH PLUGS FOR SLIDING DOOR MODEL 240	C	78
24ACP020		REVERSIBLE LIMIT STOP FOR TRACK MODEL 240	A	52
24ACR100 15054		LOWER CLOSING HOOK STRIKER FOR SLIDING DOOR MODEL 240	C	79
24ACT102 15041		RIGHT TRACK COVER HEAD FOR TRACK MODEL 240	A	52
24ACT103 15042		LEFT TRACK COVER HEAD FOR TRACK MODEL 240	A	52
24CAS004 14068		FULL LEFT ALUMINIUM PULLEY MODEL 240	B	52
24CAS005 14069		FULL RIGHT ALUMINIUM PULLEY MODEL 240	B	52
24FIS001 15049		PLASTIC WASHER Ø 12,5	A	106
24RCT201		BLACK COVER FOR FLOOR GUIDE ENDS	EXP.	62
24RIN200 16036		COMPLETE STAINLESS STEEL REGISTER FOR FLOOR GUIDE	E	61
25TID012 15048		NUT FOR NYLON TENSION-ROD M12	A	106
25TIN016* 15046		NYLON TENSION-ROD M12 L=160	A	105

* = Available in different versions (dimension / side / opening sense / material / feature)
 = Disponibile in diverse versioni (dimensione / lato / senso di apertura / materiale / caratteristica)

12ABC001 For more details click on the product code / Per maggiori dettagli clicca sul codice prodotto

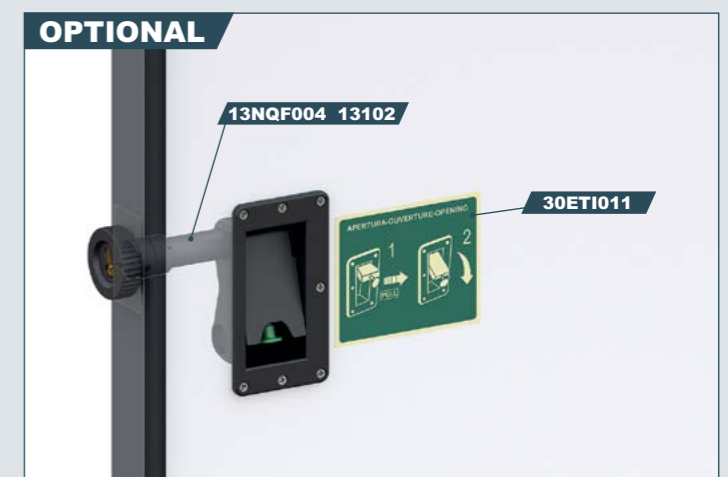
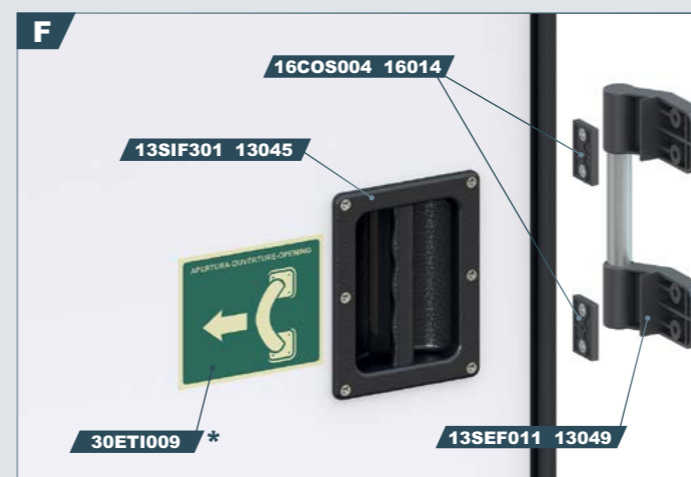
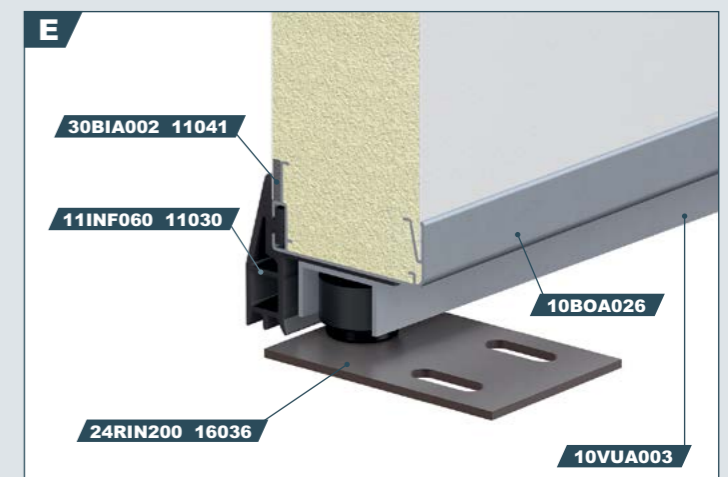
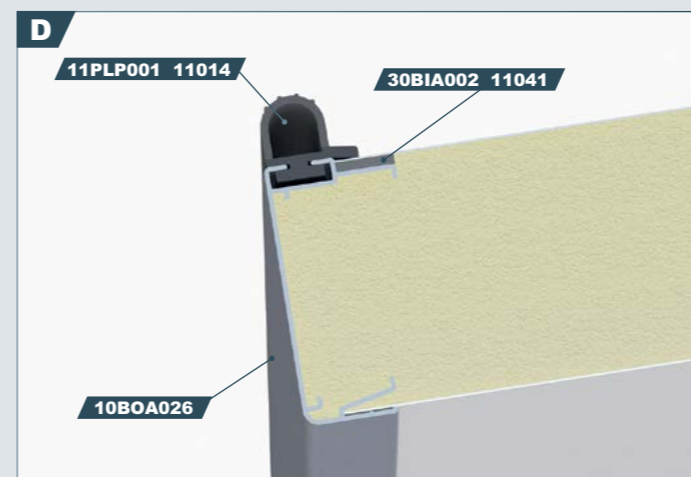
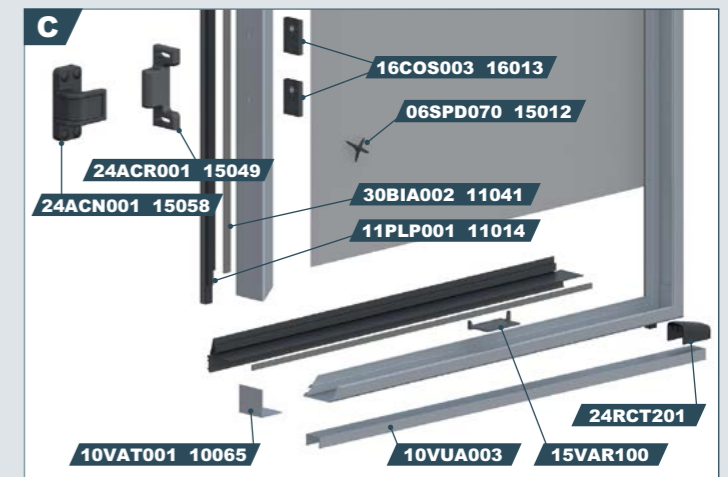
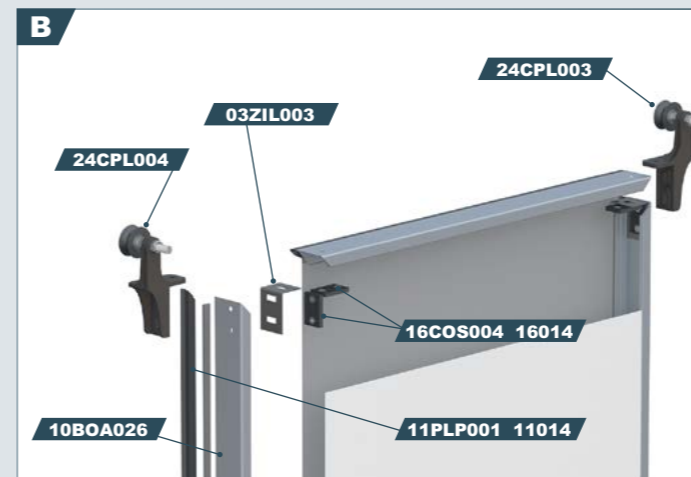
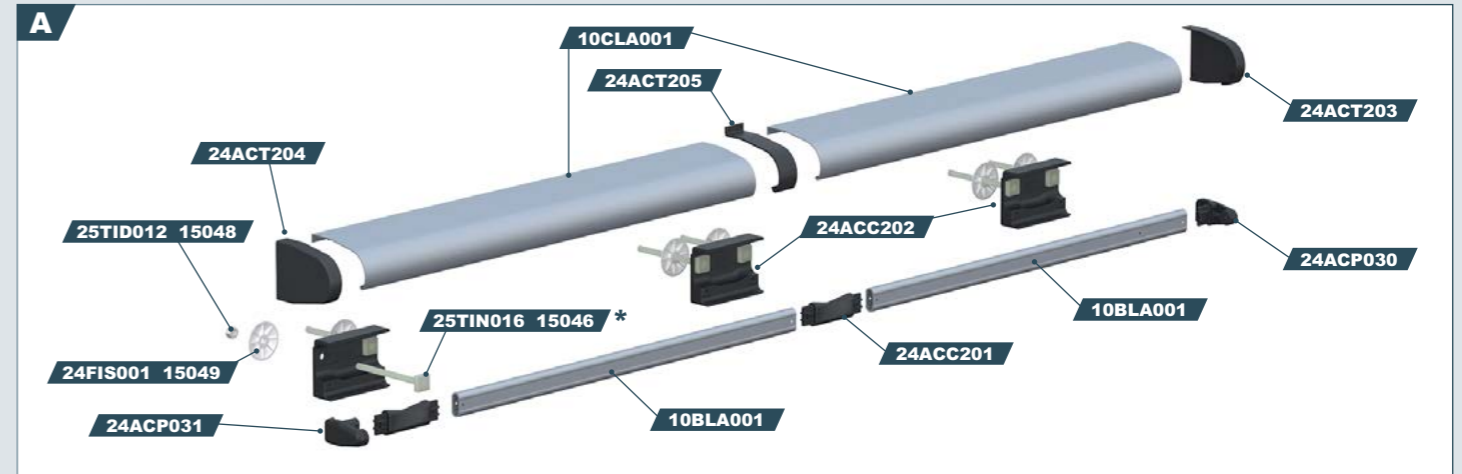
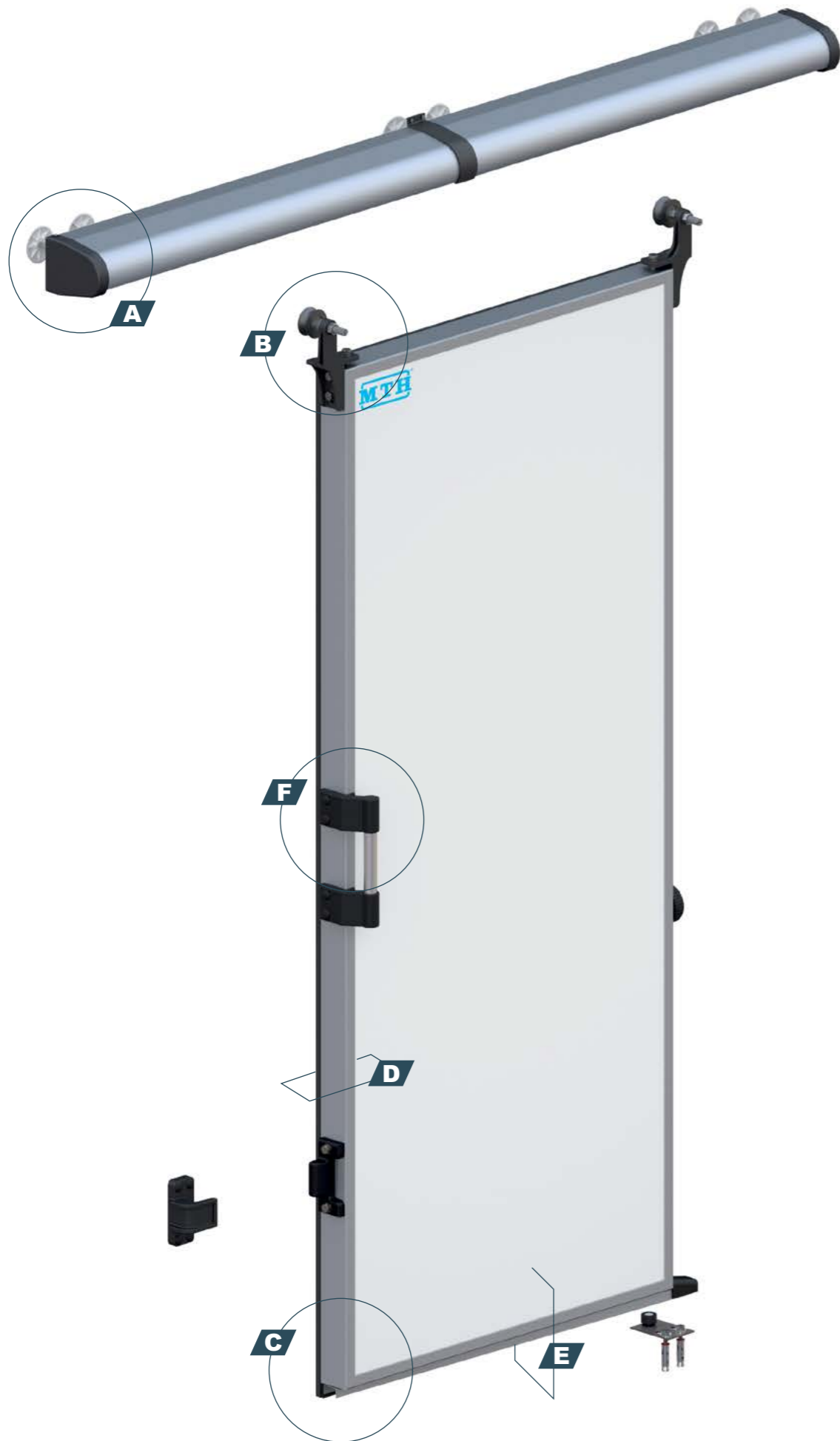




	CODE	DESCRIPTION	BOX	PAGE	
BLADE	03ZIL003	GALVANIZED INTERNAL ANGULAR REINFORCEMENT FOR "LIGHT" MODEL TRACK PULLEY	B	107	
	06SPD070 15012	PLASTIC STIFF SPACER FOR DOOR TO FOAM THK=68	C	100	
	10BOA026	ANODIZED ALUMINIUM BLADE EDGE PROFILE THK=68 BAR L=6400	B	11	
	10VAT001 10065	INTERNAL ANGULAR REINFORCEMENT FOR BLADE EDGE THK=68	C	100	
	11INF060 11030	LOWER GASKET FOR DOORS THK=68 WITH LOWER FLOOR GUIDE	E	31	
	11PLP001 11014	PERIMETRAL GASKET H=18,5 FOR DOOR THK=68	B	29	
	13NQF004 13102	REVERSIBLE LOCK "ART. 94" FOR SLIDING DOOR L=163	OPT.	83	
	13SEF011 13049	REVERSIBLE EXTERNAL FIXED HANDLE WITH STAINLESS STEEL TUBE COMPLETE WITH PLUGS	F	78	
	13SIF301 13045	INTERNAL PLASTIC DEEP-SET HANDLE	F	78	
	15VAR100	FOAMING HOLE VALVE FOR DOORS=68-151	C	33	
	16COS003 16013	PLASTIC FIXING PLATE 65X40X10 WITH GALVANIZED NUT 1XM10	C	107	
	16COS004 16014	PLASTIC FIXING PLATE 60X40X8 WITH GALVANIZED NUTS 2XM8	B	106	
	30BIA002 11041	SPONGE TAPE BI-ADHESIVE LONG SIDE 15X4	C	36	
	30ETI009*	FLUORESCENT PVC LABEL FOR FIXED HANDLE FOR DOOR WITH LEFT OPENING	F	78	
	30ETI011	FLUORESCENT PVC LABEL FOR LOCK "ART. 94"	OPT.	83	
	SLIDING SYSTEM	10BLA001	ANODIZED ALUMINIUM TRACK PROFILE MODEL "LIGHT" BAR L= 6350	A	14
		10CLA001	ANODIZED ALUMINIUM TRACK COVER PROFILE MODEL "LIGHT" BAR L= 7000	A	15
10VUA003		ANODIZED ALUMINIUM U-PROFILE 35X20X2 BAR L=6000	C	17	
24ACC201		REVERSIBLE BEND FOR "LIGHT" MODEL TRACK	A	54	
24ACC202		SUPPORT FOR "LIGHT" MODEL TRACK	A	54	
24ACN001 15058		LOWER CLOSING HOOK COMPLETE WITH PLUGS FOR SLIDING DOOR	C	79	
24ACP030		COMPLETE REVERSIBLE OPENING LIMIT STOP FOR "LIGHT" MODEL TRACK	A	54	
24ACP031		COMPLETE REVERSIBLE CLOSING LIMIT STOP FOR "LIGHT" MODEL TRACK	A	55	
24ACR001 15059		LOWER CLOSING HOOK STRIKER FOR SLIDING DOOR	C	79	
24ACT203		RIGHT ALUMINIUM TRACK COVER HEAD FOR "LIGHT" MODEL TRACK	A	54	
24ACT204		LEFT ALUMINIUM TRACK COVER HEAD FOR "LIGHT" MODEL TRACK	A	54	
24ACT205		ALUMINIUM CENTRAL JOINT COVER FOR "LIGHT" MODEL TRACK	A	54	
24CPL003		FULL RIGHT PLASTIC PULLEY MODEL "LIGHT" FOR 360 LS	B	53	
24CPL004		FULL LEFT PLASTIC PULLEY MODEL "LIGHT" FOR 360 LS	B	53	
24FIS001 15049		PLASTIC WASHER Ø 12,5	A	106	
24RCT01		BLACK COVER FOR FLOOR GUIDE ENDS	C	62	
24RIN200 16036		COMPLETE STAINLESS STEEL REGISTER FOR FLOOR GUIDE	E	61	
25TID012 15048		NUT FOR NYLON TENSION-ROD M12	A	106	
25TIN016* 15046		NYLON TENSION-ROD M12 L=160	A	105	

* = Available in different versions (dimension / side / opening sense / material / feature)
 = Disponibile in diverse versioni (dimensione / lato / senso di apertura / materiale / caratteristica)

12ABC001 For more details click on the product code / Per maggiori dettagli clicca sul codice prodotto





	CODE	DESCRIPTION	BOX	PAGE
BLADE	03ZIL003	GALVANIZED INTERNAL ANGULAR REINFORCEMENT FOR "LIGHT" MODEL TRACK PULLEY	E	107
	06SPD070 15012	PLASTIC STIFF SPACER FOR DOOR TO FOAM THK=68	G	100
	10BOA026	ANODIZED ALUMINIUM BLADE EDGE PROFILE THK=68 BAR L=6400	E	11
	10VAT001 10065	INTERNAL ANGULAR REINFORCEMENT FOR BLADE EDGE THK=68	G	100
	11INF030 11021	LOWER GASKET FOR DOORS THK=68	D	31
	11PLP001 11014	PERIMETRAL GASKET H=18,5 FOR DOOR THK=68	E	29
	12VAR402	FLAT PVC PROFILE FOR LOWER GASKET FIXING 15X5 BAR L=4000	D	24
	13SEF011 13049	REVERSIBLE EXTERNAL FIXED HANDLE WITH STAINLESS STEEL TUBE COMPLETE WITH PLUGS	F	78
	13SIF301 13045	INTERNAL PLASTIC DEEP-SET HANDLE	F	78
	15VAR100	FOAMING HOLE VALVE FOR DOORS=68-151	G	33
	16COS003 16013	PLASTIC FIXING PLATE 65X40X10 WITH GALVANIZED NUT 1XM10	G	107
	16COS004 16014	PLASTIC FIXING PLATE 60X40X8 WITH GALVANIZED NUTS 2XM8	E	106
	30BIA002 11041	SPONGE TAPE BI-ADHESIVE LONG SIDE 15X4	G	36
	30ETI009*	FLUORESCENT PVC LABEL FOR FIXED HANDLE FOR DOOR WITH RIGHT OPENING	F	78
	FRAME	05ANP001 15027	PLASTIC ANGLE FOR COUNTERFRAME JOIN	B
05ANS001 15026		PLASTIC ANGLE FOR SIDE FRAME JOIN	B	102
12COS006* 12025		SIDE FRAME PVC PROFILE H=60 WHITE RAL9010 BAR L=5400	C	22
12GIU001 12028		THERMAL BREAK PASSAGEWAY COVERING PVC PROFILE WHITE RAL9010 BAR L=4500	C	22
12MON001 12023		PVC PROFILE FRAME 110 WHITE RAL9010 BAR L=5300	B	20
12NTR002* 12015		COUNTERFRAME PVC PROFILE PERFORATED WITH PROTECTION WHITE RAL9010 BAR L=6500	C	23
12VAR101 12029		PVC PROFILE FOR COUNTERFRAME TO SIDE FRAME CONNECTION BAR L=2000	C	23
12VAR500		FRAME REINFORCEMENT PLASTIC PROFILE BAR L=4000	C	20
15CPR002 15063		PLUG Ø 11,5 WHITE	B	94
15CPR021 15061		PLUG Ø 22 WHITE	B	95
15GIU002 15016		RIGHT JOINT FOR FRAME 110 WITH GALVANIZED BOLT	-	102
15GIU003* 15017		LEFT JOINT FOR FRAME 110 WITH GALVANIZED BOLT	B	102
15TEL002* 15021		UPPER LEFT PLUG FOR FRAME 110	B	96
15TEL003 15022		UPPER RIGHT PLUG FOR FRAME 110	-	96
16PIT002 16023		GALVANIZED STEEL PLATE FOR FRAME 110 JOINT FIXING	B	102
SLIDING SYSTEM	10BLA001	ANODIZED ALUMINIUM TRACK PROFILE MODEL "LIGHT" BAR L= 6350	A	14
	10CLA001	ANODIZED ALUMINIUM TRACK COVER PROFILE MODEL "LIGHT" BAR L= 7000	A	15
	10GUA001 10044	ANODIZED ALUMINIUM WALL SIDE GUIDE PROFILE FOR PANEL L=7000	A	17
	24ACC201	REVERSIBLE BEND FOR "LIGHT" MODEL TRACK	A	54
	24ACC202	SUPPORT FOR "LIGHT" MODEL TRACK	A	54
	24ACN001 15058	LOWER CLOSING HOOK COMPLETE WITH PLUGS FOR SLIDING DOOR	G	79
	24ACP030	COMPLETE REVERSIBLE OPENING LIMIT STOP FOR "LIGHT" MODEL TRACK	A	54
	24ACP031	COMPLETE REVERSIBLE CLOSING LIMIT STOP FOR "LIGHT" MODEL TRACK	A	55
	24ACR001 15059	LOWER CLOSING HOOK STRIKER FOR SLIDING DOOR	G	79
	24ACT203	RIGHT ALUMINIUM TRACK COVER HEAD FOR "LIGHT" MODEL TRACK	A	54
	24ACT204	LEFT ALUMINIUM TRACK COVER HEAD FOR "LIGHT" MODEL TRACK	A	54
	24ACT205	ALUMINIUM CENTRAL JOINT COVER FOR "LIGHT" MODEL TRACK	A	54
	24CPL005	FULL RIGHT PLASTIC PULLEY MODEL "LIGHT" FOR 360 FLS	E	53
	24CPL006	FULL LEFT PLASTIC PULLEY MODEL "LIGHT" FOR 360 FLS	E	53
	24FIS001 15049	PLASTIC WASHER Ø 12,5	A	106
24RCS910*	REAR GUIDE FIXING BRACKET FOR RIGHT OPENING	A	63	
24RCT100 15072	REVERSIBLE REAR GUIDE PLUG	A	63	
24RPV225	REVERSIBLE PLASTIC REAR REGISTER 2.0, WITH PIN AND ADJUSTABLE ROLLER	G	62	
25TID012 15048	NUT FOR NYLON TENSION-ROD M12	A	106	
25TIN016* 15046	NYLON TENSION-ROD M12 L=160	A	105	

* = Available in different versions (dimension / side / opening sense / material / feature)
 = Disponibile in diverse versioni (dimensione / lato / senso di apertura / materiale / caratteristica)

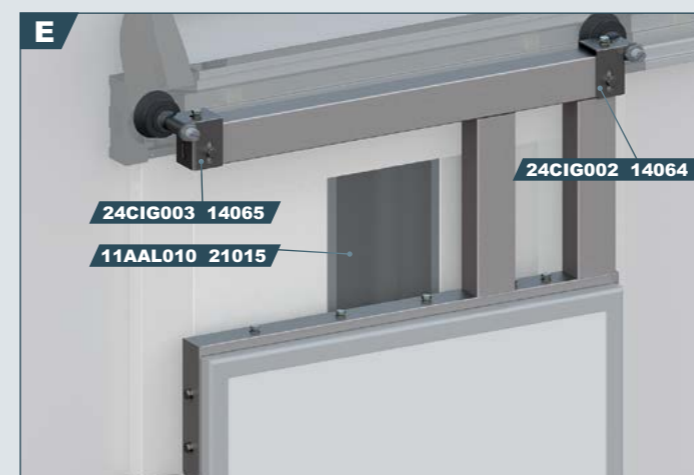
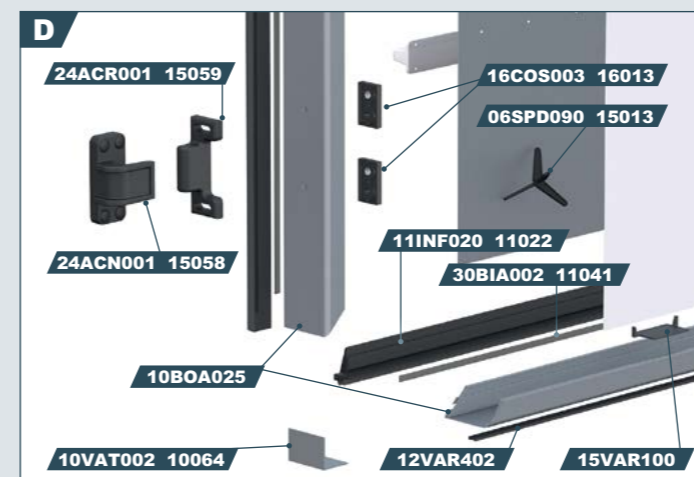
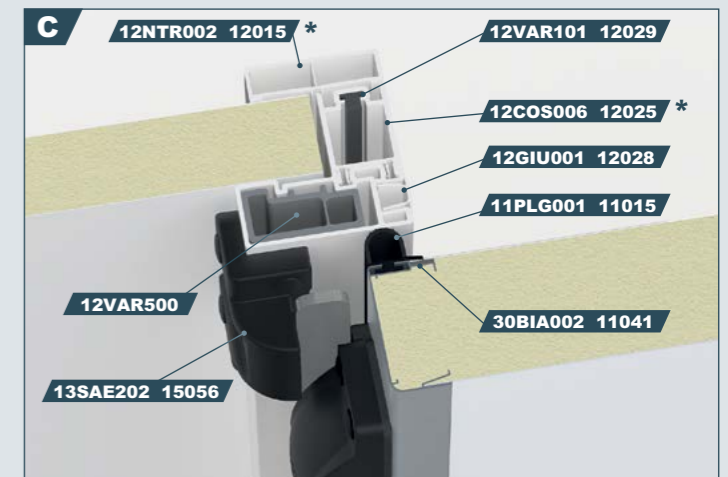
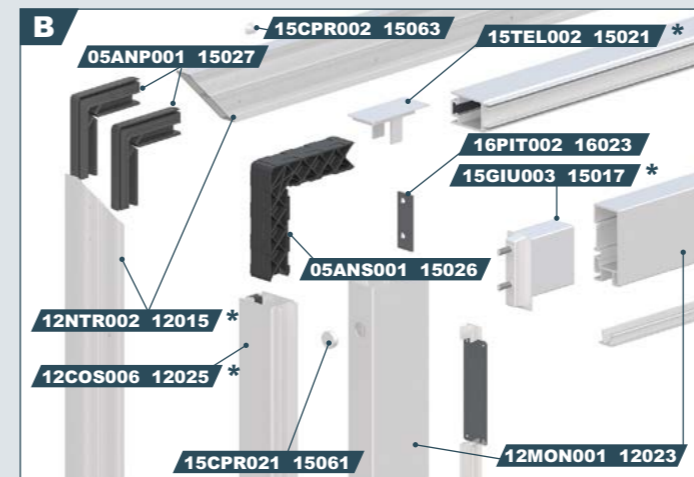
12ABC001 For more details click on the product code / Per maggiori dettagli clicca sul codice prodotto



	CODE	DESCRIPTION	BOX	PAGE	
BLADE	06SPD090 15013	PLASTIC STIFF SPACER FOR DOOR TO FOAM THK=92	D	100	
	10BOA025	ANODIZED ALUMINIUM BLADE EDGE PROFILE THK=92 ANODIZED BAR L=6250	D	11	
	10VAT002 10064	INTERNAL ANGULAR REINFORCEMENT FOR BLADE EDGE THK=92	D	100	
	11INF020 11022	LOWER GASKET FOR DOORS THK=92-151 L=4500	D	31	
	11PLG001 11015	PERIMETRAL GASKET H=25 FOR DOOR THK=92-151	C	30	
	12VAR402	FLAT PVC PROFILE FOR LOWER GASKET FIXING 15X5 BAR L=4000	D	24	
	13NQF004 13102	REVERSIBLE LOCK "ART. 94" FOR SLIDING DOOR L=163	F	83	
	13SEF011 13049	REVERSIBLE EXTERNAL FIXED HANDLE WITH STAINLESS STEEL TUBE COMPLETE WITH PLUGS	F	78	
	13SEF048*	REVERSIBLE EXTERNAL LEVER HANDLE WITH LOGO MTH COMPLETE WITH PLUGS FOR SLIDING DOOR THK=92-151	F	80	
	13SIF001* 13050	INTERNAL STAINLESS STEEL LEVER HANDLE FOR SLIDING DOOR WITH RIGHT OPENING COMPLETE WITH STRIKER	F	81	
	15VAR100	FOAMING HOLE VALVE FOR DOORS=68-151	D	33	
	16COS003 16013	PLASTIC FIXING PLATE 65X40X10 WITH GALVANIZED NUT 1XM10	D	107	
	16COS004 16014	PLASTIC FIXING PLATE 60X40X8 WITH GALVANIZED NUTS 2XM8	F	106	
	16COS006 16041	FIXING PLATE FOR INTERNAL LEVER HANDLE FOR SLIDING DOOR THK=92-151	F	108	
	16PIS102*	FIXING PLATE WITH INSERTS FOR INTERNAL LEVER HANDLE FOR SLIDING DOOR RIGHT OPENING	F	108	
	24ACU001 15052	NYLON WEDGE H=35 FOR SLIDING DOOR	F	82	
	30BIA002 11041	SPONGE TAPE BI-ADHESIVE LONG SIDE 15X4	C	36	
	30ETI007*	FLUORESCENT PVC LABEL FOR INTERNAL LEVER HANDLE FOR DOOR WITH RIGHT OPENING	F	81	
	30ETI011	FLUORESCENT PVC LABEL FOR LOCK "ART. 94"	F	83	
	FRAME	05ANP001 15027	PLASTIC ANGLE FOR COUNTERFRAME JOIN	B	103
05ANS001 15026		PLASTIC ANGLE FOR SIDE FRAME JOIN	B	102	
11AAL010 21015		SLIDE-WAY PASSAGE GASKET L.1000 X H.1200 THK=4	E	33	
12COS006* 12025		SIDE FRAME PVC PROFILE H=60 WHITE RAL9010 BAR L=5400	B	22	
12GIU001 12028		THERMAL BREAK PASSAGEWAY COVERING PVC PROFILE WHITE RAL9010 BAR L=4500	C	22	
12MON001 12023		PVC PROFILE FRAME 110 WHITE RAL9010 BAR L=5300	B	20	
12NTR002* 12015		COUNTERFRAME PVC PROFILE PERFORATED WITH PROTECTION WHITE RAL9010 BAR L=6500	B	23	
12VAR101 12029		PVC PROFILE FOR COUNTERFRAME TO SIDE FRAME CONNECTION BAR L=2000	C	23	
12VAR500		FRAME REINFORCEMENT PLASTIC PROFILE BAR L=4000	C	20	
13SAE202 15056		PLASTIC STRIKER FOR EXTERNAL LEVER HANDLE COMPLETE WITH PLUGS	C	81	
15CPR002 15063		PLUG Ø 11,5 WHITE	B	94	
15CPR021 15061		PLUG Ø 22 WHITE	B	95	
15GIU002 15016		RIGHT JOINT FOR FRAME 110 WITH GALVANIZED BOLT	-	102	
15GIU003* 15017		LEFT JOINT FOR FRAME 110 WITH GALVANIZED BOLT	B	102	
15TEL002* 15021		UPPER LEFT PLUG FOR FRAME 110	B	96	
15TEL003 15022		UPPER RIGHT PLUG FOR FRAME 110	-	96	
16PIT002 16023		GALVANIZED STEEL PLATE FOR FRAME 110 JOINT FIXING	B	102	
SLIDING SYSTEM		10GUA001 10044	ANODIZED ALUMINIUM WALL SIDE GUIDE PROFILE FOR PANEL L=7000	A	17
		10PCA005	ANODIZED ALUMINIUM TRACK COVER PROFILE MODEL "MIRROR" L=6250	A	16
		10PMA001	ANODIZED ALUMINIUM TRACK PROFILE MODEL "MIRROR" BAR L=4950	A	16
	14PMR002	BLACK FLAT HINGE FOR "MIRROR" TRACK AND COVER FASTENING	A	49	
	24ACN001 15058	LOWER CLOSING HOOK COMPLETE WITH PLUGS FOR SLIDING DOOR	D	79	
	24ACR001 15059	LOWER CLOSING HOOK STRIKER FOR SLIDING DOOR	D	79	
	24ACT602	OPENING SIDE END PLUG FOR "MIRROR" MODEL TRACK	A	60	
	24ACT603	RIGHT ALUMINIUM TRACK COVER HEAD FOR "MIRROR" MODEL TRACK	A	59	
	24ACT604	LEFT ALUMINIUM TRACK COVER HEAD FOR "MIRROR" MODEL TRACK	A	59	
	24ACT605	ALUMINIUM CENTRAL JOINT COVER FOR "MIRROR" MODEL TRACK	A	59	
	24BIN001	CLOSING BLOCK WITH BENDS AND PLUG FOR "MIRROR" MODEL TRACK	A	59	
	24BIN002	CENTRAL BLOCK WITH BENDS AND PLUG FOR "MIRROR" MODEL TRACK	A	60	
	24CIG002 14064	RIGHT STAINLESS STEEL PULLEY FOR GV MODEL WITH PA WHEEL AND GALVANIZED PIN L=155	E	58	
	24CIG003 14065	LEFT STAINLESS STEEL PULLEY FOR GV MODEL WITH PA WHEEL AND GALVANIZED PIN L=155	E	58	
	24FIS001 15049	PLASTIC WASHER Ø 12,5	A	106	
	24RCS910*	REAR GUIDE FIXING BRACKET FOR RIGHT OPENING	A	63	
	24RCT100 15072	REVERSIBLE REAR GUIDE PLUG	A	63	
	24RPV225	REVERSIBLE PLASTIC REAR REGISTER 2.0, WITH PIN AND ADJUSTABLE ROLLER	F	62	
	25TID012 15048	NUT FOR NYLON TENSION-ROD M12	A	106	
	25TIN016* 15046	NYLON TENSION-ROD M12 L=160	A	105	

* = Available in different versions (dimension / side / opening sense / material / feature)
 = Disponibile in diverse versioni (dimensione / lato / senso di apertura / materiale / caratteristica)

12ABC001 For more details click on the product code / Per maggiori dettagli clicca sul codice prodotto

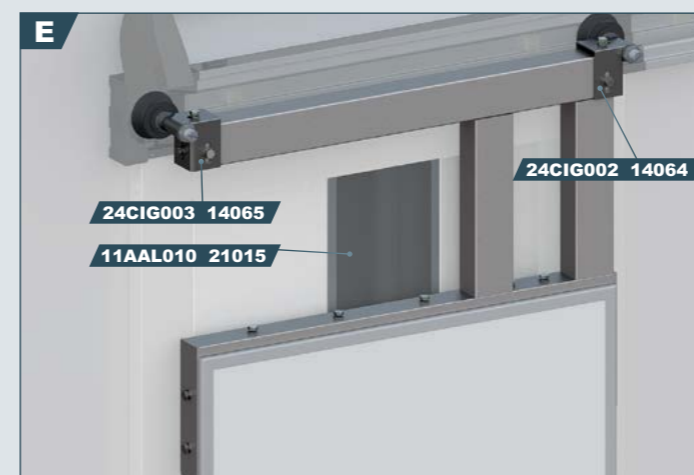
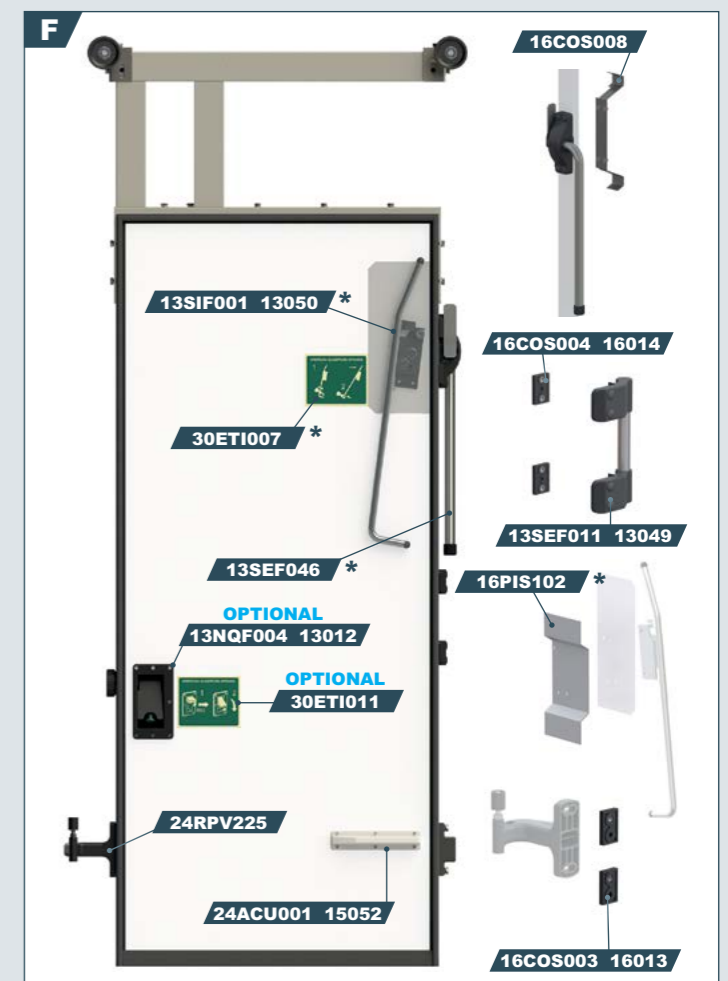
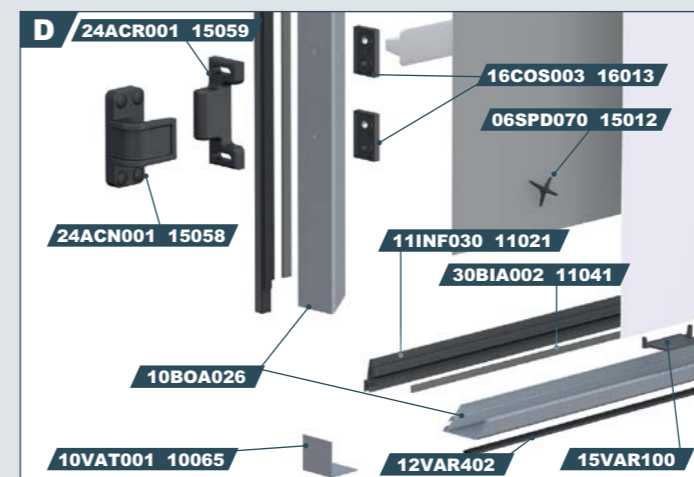
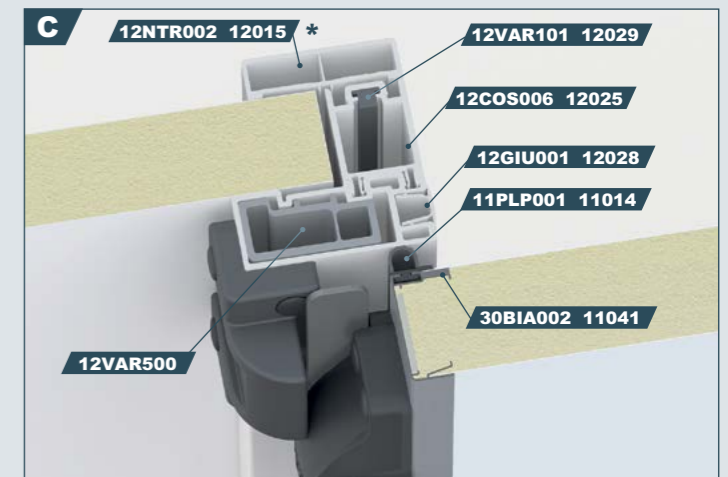




	CODE	DESCRIPTION	BOX	PAGE	
BLADE	06SPD070 15012	PLASTIC STIFF SPACER FOR DOOR TO FOAM THK=68	D	100	
	10BOA026	ANODIZED ALUMINIUM BLADE EDGE PROFILE THK=68 BAR L=6400	D	11	
	10VAT001 10065	INTERNAL ANGULAR REINFORCEMENT FOR BLADE EDGE THK=68	D	100	
	11INF030 11021	LOWER GASKET FOR DOORS THK=68	D	31	
	11PLP001 11014	PERIMETRAL GASKET H=18,5 FOR DOOR THK=68	C	29	
	12VAR402	FLAT PVC PROFILE FOR LOWER GASKET FIXING 15X5 BAR L=4000	D	24	
	13NQF004 13102	REVERSIBLE LOCK "ART. 94" FOR SLIDING DOOR L=163	F	83	
	13SEF011 13049	REVERSIBLE EXTERNAL FIXED HANDLE WITH STAINLESS STEEL TUBE COMPLETE WITH PLUGS	F	78	
	13SEF046	REVERSIBLE EXTERNAL LEVER HANDLE WITH LOGO MTH COMPLETE WITH PLUGS FOR SLIDING DOOR THK=68	F	80	
	13SIF001* 13050	INTERNAL STAINLESS STEEL LEVER HANDLE FOR SLIDING DOOR WITH RIGHT OPENING COMPLETE WITH STRIKER	F	81	
	15VAR100	FOAMING HOLE VALVE FOR DOORS=68-151	D	33	
	16COS003 16013	PLASTIC FIXING PLATE 65X40X10 WITH GALVANIZED NUT 1XM10	D	107	
	16COS004 16014	PLASTIC FIXING PLATE 60X40X8 WITH GALVANIZED NUTS 2XM8	F	106	
	16COS008	FIXING PLATE WITH INSERTS FOR EXTERNAL LEVER HANDLE FOR SLIDING DOOR THK=68	F	108	
	16PIS102*	FIXING PLATE WITH INSERTS FOR INTERNAL LEVER HANDLE FOR SLIDING DOOR RIGHT OPENING	F	108	
	24ACU001 15052	NYLON WEDGE H=35 FOR SLIDING DOOR	F	82	
	30BIA002 11041	SPONGE TAPE BI-ADHESIVE LONG SIDE 15X4	C	36	
	30ETI007*	FLUORESCENT PVC LABEL FOR INTERNAL LEVER HANDLE FOR DOOR WITH RIGHT OPENING	F	81	
	30ETI011	FLUORESCENT PVC LABEL FOR LOCK "ART. 94"	F	83	
	FRAME	05ANP001 15027	PLASTIC ANGLE FOR COUNTERFRAME JOIN	B	103
05ANS001 15026		PLASTIC ANGLE FOR SIDE FRAME JOIN	B	102	
11AAL010 21015		SLIDE-WAY PASSAGE GASKET L.1000 X H.1200 THK=4	E	33	
12COS006* 12025		SIDE FRAME PVC PROFILE H=60 WHITE RAL9010 BAR L=5400	B	22	
12GIU001 12028		THERMAL BREAK PASSAGEWAY COVERING PVC PROFILE WHITE RAL9010 BAR L=4500	C	22	
12MON001 12023		PVC PROFILE FRAME 110 WHITE RAL9010 BAR L=5300	B	20	
12NTR002* 12015		COUNTERFRAME PVC PROFILE PERFORATED WITH PROTECTION WHITE RAL9010 BAR L=6500	B	23	
12VAR101 12029		PVC PROFILE FOR COUNTERFRAME TO SIDE FRAME CONNECTION BAR L=2000	C	23	
12VAR500		FRAME REINFORCEMENT PLASTIC PROFILE BAR L=4000	C	20	
13SAE202 15056		PLASTIC STRIKER FOR EXTERNAL LEVER HANDLE COMPLETE WITH PLUGS	F	81	
15CPR002 15063		PLUG Ø 11,5 WHITE	B	94	
15CPR021 15061		PLUG Ø 22 WHITE	B	95	
15GIU002 15016		RIGHT JOINT FOR FRAME 110 WITH GALVANIZED BOLT	-	102	
15GIU003* 15017		LEFT JOINT FOR FRAME 110 WITH GALVANIZED BOLT	B	102	
15TEL002* 15021		UPPER LEFT PLUG FOR FRAME 110	B	96	
15TEL003 15022		UPPER RIGHT PLUG FOR FRAME 110	-	96	
16PIT002 16023		GALVANIZED STEEL PLATE FOR FRAME 110 JOINT FIXING	B	102	
SLIDING SYSTEM		10GUA001 10044	ANODIZED ALUMINIUM WALL SIDE GUIDE PROFILE FOR PANEL L=7000	A	17
		10PCA005	ANODIZED ALUMINIUM TRACK COVER PROFILE MODEL "MIRROR" L=6250	A	16
		10PMA001	ANODIZED ALUMINIUM TRACK PROFILE MODEL "MIRROR" BAR L=4950	A	16
	14PMR002	BLACK FLAT HINGE FOR "MIRROR" TRACK AND COVER FASTENING	A	49	
	24ACN001 15058	LOWER CLOSING HOOK COMPLETE WITH PLUGS FOR SLIDING DOOR	D	79	
	24ACR001 15059	LOWER CLOSING HOOK STRIKER FOR SLIDING DOOR	D	79	
	24ACT602	OPENING SIDE END PLUG FOR "MIRROR" MODEL TRACK	A	60	
	24ACT603	RIGHT ALUMINIUM TRACK COVER HEAD FOR "MIRROR" MODEL TRACK	A	59	
	24ACT604	LEFT ALUMINIUM TRACK COVER HEAD FOR "MIRROR" MODEL TRACK	A	59	
	24ACT605	ALUMINIUM CENTRAL JOINT COVER FOR "MIRROR" MODEL TRACK	A	59	
	24BIN001	CLOSING BLOCK WITH BENDS AND PLUG FOR "MIRROR" MODEL TRACK	A	59	
	24BIN002	CENTRAL BLOCK WITH BENDS AND PLUG FOR "MIRROR" MODEL TRACK	A	60	
	24CIG002 14064	RIGHT STAINLESS STEEL PULLEY FOR GV MODEL WITH PA WHEEL AND GALVANIZED PIN L=155	E	58	
	24CIG003 14065	LEFT STAINLESS STEEL PULLEY FOR GV MODEL WITH PA WHEEL AND GALVANIZED PIN L=155	E	58	
	24FIS001 15049	PLASTIC WASHER Ø 12,5	A	106	
	24RCS910*	REAR GUIDE FIXING BRACKET FOR RIGHT OPENING	A	63	
	24RCT100 15072	REVERSIBLE REAR GUIDE PLUG	A	63	
	24RPV225	REVERSIBLE PLASTIC REAR REGISTER 2.0, WITH PIN AND ADJUSTABLE ROLLER	F	62	
	25TID012 15048	NUT FOR NYLON TENSION-ROD M12	A	106	
	25TIN016* 15046	NYLON TENSION-ROD M12 L=160	A	105	

* = Available in different versions (dimension / side / opening sense / material / feature)
 = Disponibile in diverse versioni (dimensione / lato / senso di apertura / materiale / caratteristica)

12ABC001 For more details click on the product code / Per maggiori dettagli clicca sul codice prodotto



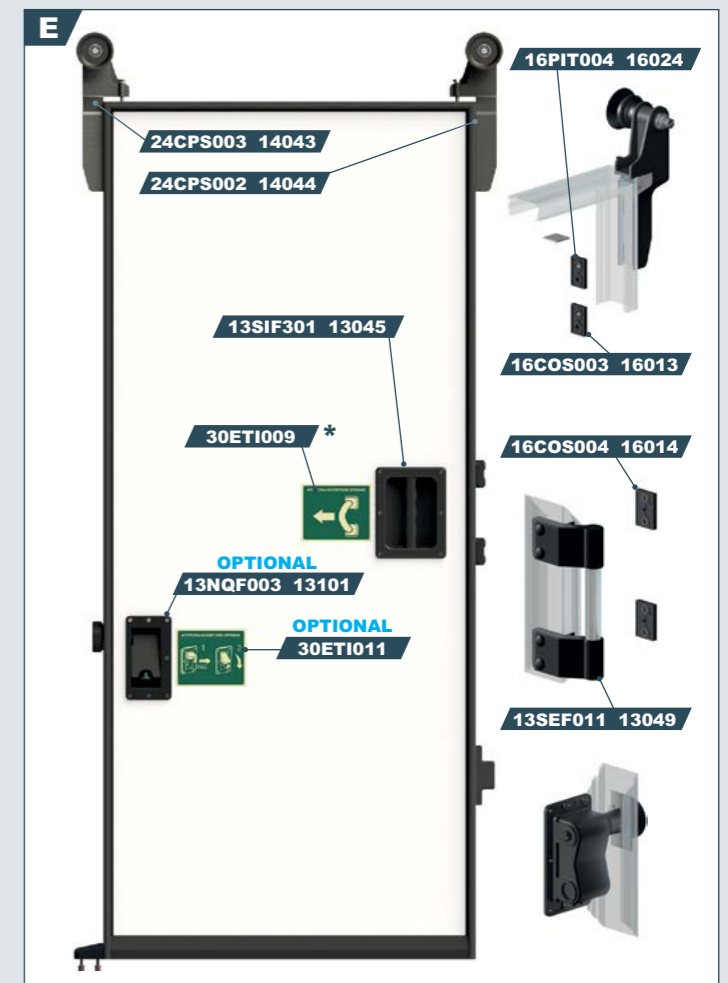
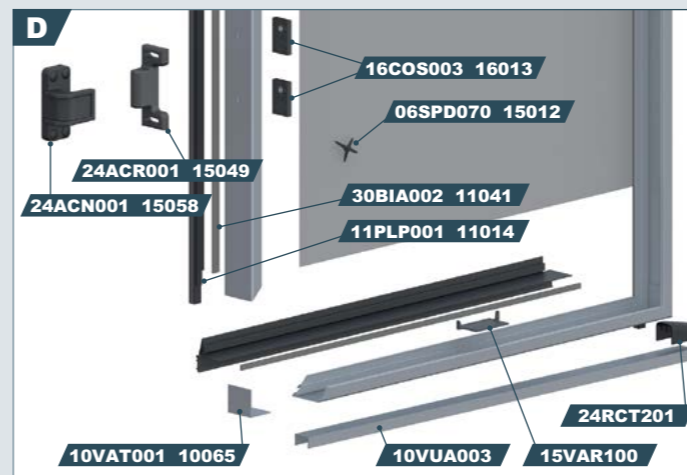
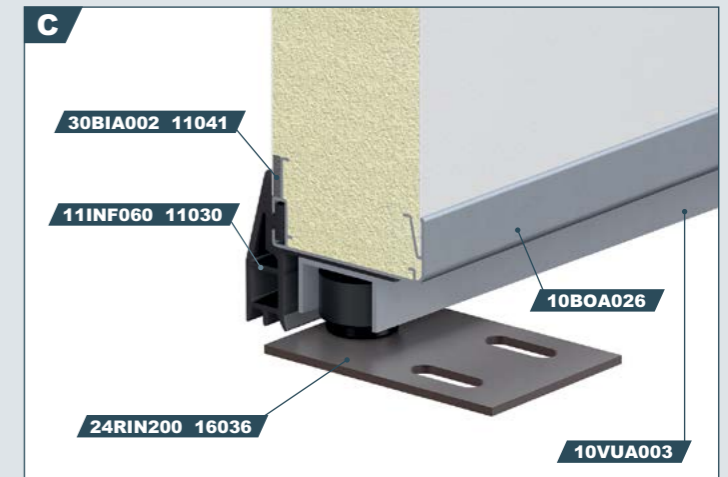
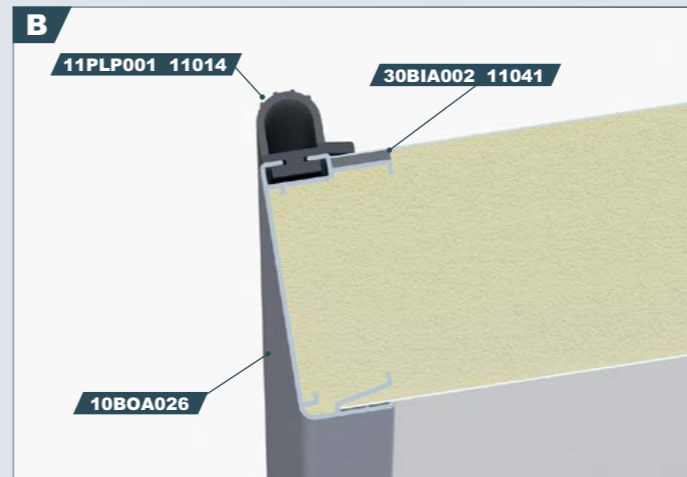
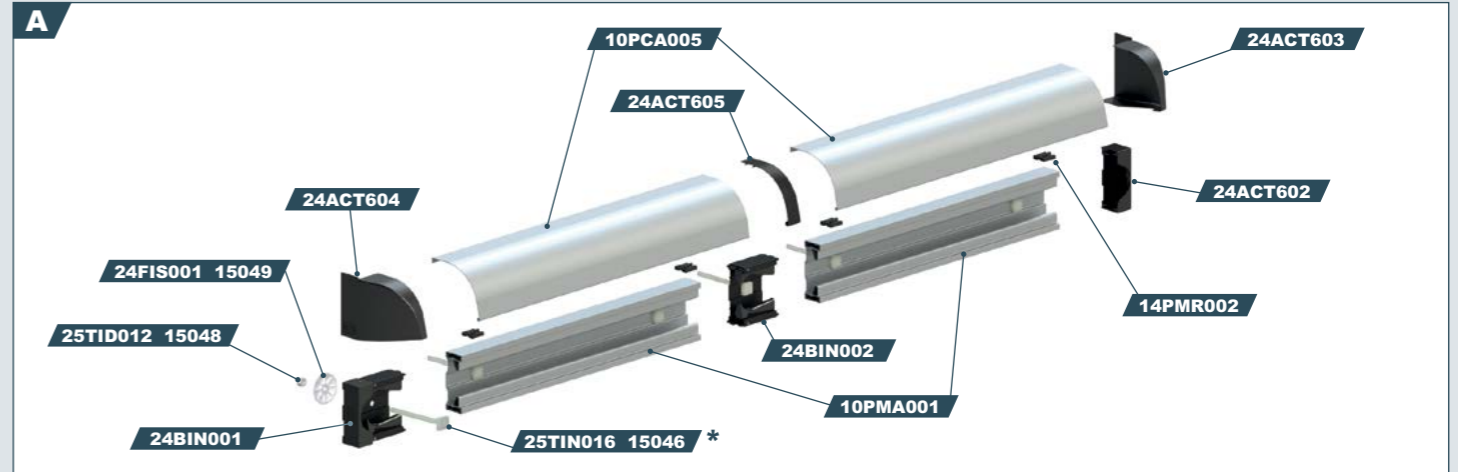


	CODE	DESCRIPTION	BOX	PAGE
BLADE	06SPD070 15012	PLASTIC STIFF SPACER FOR DOOR TO FOAM THK=68	D	100
	10BOA026	ANODIZED ALUMINIUM BLADE EDGE PROFILE THK=68 BAR L=6400	B	11
	10VAT001 10065	INTERNAL ANGULAR REINFORCEMENT FOR BLADE EDGE THK=68	D	100
	11INF060 11030	LOWER GASKET FOR DOORS THK=68 WITH LOWER FLOOR GUIDE	C	31
	11OBM068 11033	PORTHOLE GASKET THK=40 DOOR THK=68	OPT.	32
	11PLP001 11014	PERIMETRAL GASKET H=18,5 FOR DOOR THK=68	B	29
	13NQF001 13059	REVERSIBLE LOCK "ART. 94" FOR ASYMMETRIC SLIDING DOOR L=245	E	83
	13SEF011 13049	REVERSIBLE EXTERNAL FIXED HANDLE WITH STAINLESS STEEL TUBE COMPLETE WITH PLUGS	E	78
	13SIF301 13045	INTERNAL PLASTIC DEEP-SET HANDLE	E	78
	15VAR100	FOAMING HOLE VALVE FOR DOORS=68-151	D	33
	16COS003 16013	PLASTIC FIXING PLATE 65X40X10 WITH GALVANIZED NUT 1XM10	D	107
	16COS004 16014	PLASTIC FIXING PLATE 60X40X8 WITH GALVANIZED NUTS 2XM8	E	106
	16PIT004 16024	GALVANIZED PLATE WITH THREADED HOLE M8	E	109
	17VEA001 17015	TRIPLE GLAZING 4/12/4/12/4 OVAL 430X630	OPT.	86
	30BIA002 11041	SPONGE TAPE BI-ADHESIVE LONG SIDE 15X4	B	36
	30ETI009*	FLUORESCENT PVC LABEL FOR FIXED HANDLE FOR DOOR WITH RIGHT OPENING	E	78
	30ETI011	FLUORESCENT PVC LABEL FOR LOCK "ART. 94"	E	83

	CODE	DESCRIPTION	BOX	PAGE
SLIDING SYSTEM	10PCA005	ANODIZED ALUMINIUM TRACK COVER PROFILE MODEL "MIRROR" L=6250	A	16
	10PMA001	ANODIZED ALUMINIUM TRACK PROFILE MODEL "MIRROR" BAR L=4950	A	16
	10VUA003	ANODIZED ALUMINIUM U-PROFILE 35X20X2 BAR L=6000	C	17
	14PMR002	BLACK FLAT HINGE FOR "MIRROR" TRACK AND COVER FASTENING	A	49
	24ACN001 15058	LOWER CLOSING HOOK COMPLETE WITH PLUGS FOR SLIDING DOOR	D	79
	24ACR001 15059	LOWER CLOSING HOOK STRIKER FOR SLIDING DOOR	D	79
	24ACT602	OPENING SIDE END PLUG FOR "MIRROR" MODEL TRACK	A	60
	24ACT603	RIGHT ALUMINIUM TRACK COVER HEAD FOR "MIRROR" MODEL TRACK	A	59
	24ACT604	LEFT ALUMINIUM TRACK COVER HEAD FOR "MIRROR" MODEL TRACK	A	59
	24ACT605	ALUMINIUM CENTRAL JOINT COVER FOR "MIRROR" MODEL TRACK	A	59
	24BIN001	CLOSING BLOCK WITH BENDS AND PLUG FOR "MIRROR" MODEL TRACK	A	59
	24BIN002	CENTRAL BLOCK WITH BENDS AND PLUG FOR "MIRROR" MODEL TRACK	A	60
	24CPS002 14044	LEFT PLASTIC PULLEY FOR 480 ST WITH PA WHEEL AND GALVANIZED PIN L=155	E	58
	24CPS003 14043	RIGHT PLASTIC PULLEY FOR 480 ST WITH PA WHEEL AND GALVANIZED PIN L=155	E	58
	24FIS001 15049	PLASTIC WASHER Ø 12,5	A	106
	24RCT201	BLACK COVER FOR FLOOR GUIDE ENDS	D	62
	24RIN200 16036	COMPLETE STAINLESS STEEL REGISTER FOR FLOOR GUIDE	C	61
	25TID012 15048	NUT FOR NYLON TENSION-ROD M12	A	106
	25TIN016* 15046	NYLON TENSION-ROD M12 L=160	A	105

* = Available in different versions (dimension / side / opening sense / material / feature)
 = Disponibile in diverse versioni (dimensione / lato / senso di apertura / materiale / caratteristica)

12ABC001 For more details click on the product code / Per maggiori dettagli clicca sul codice prodotto

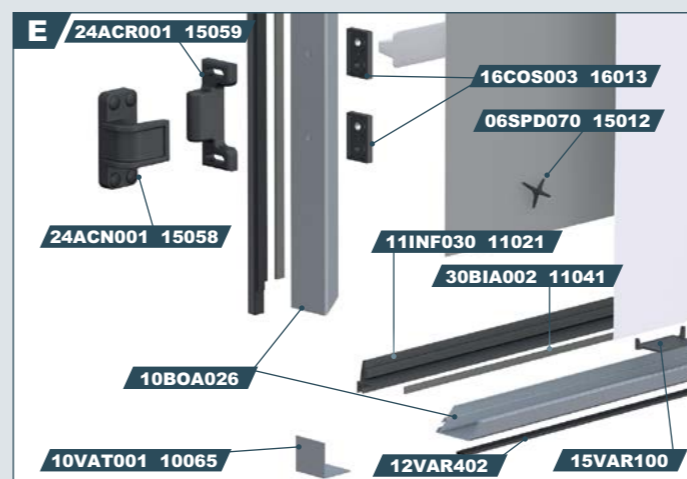
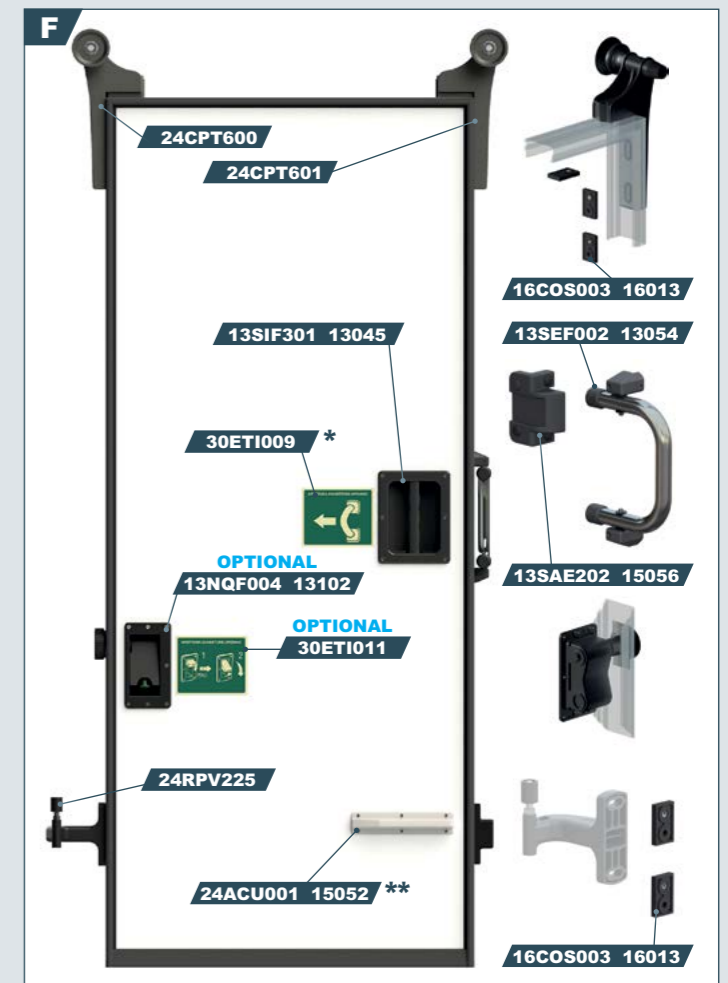
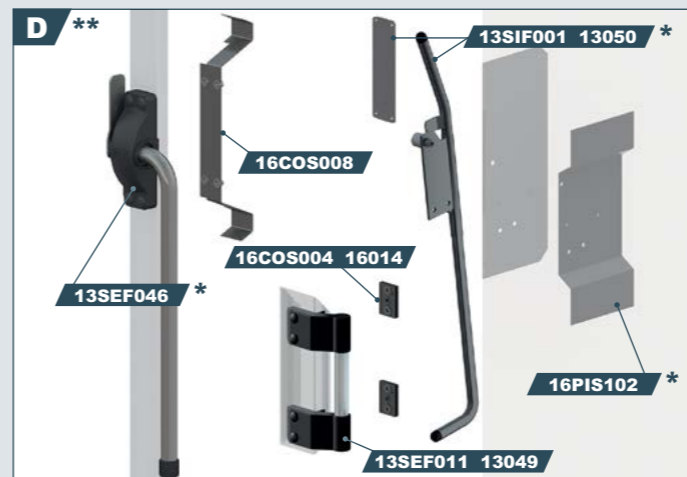
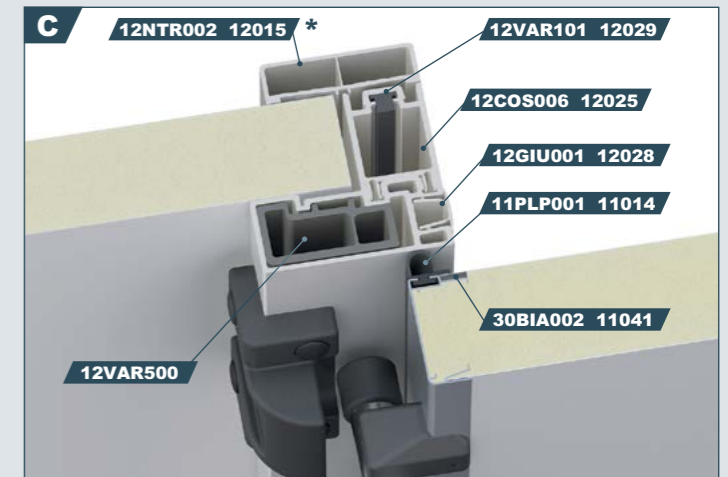
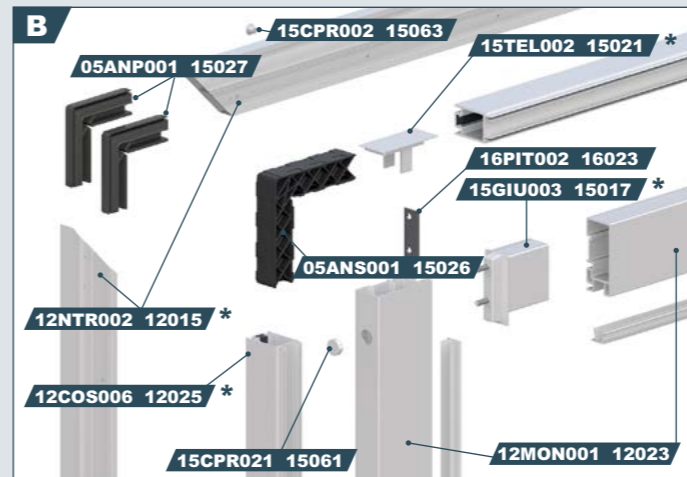




	CODE	DESCRIPTION	BOX	PAGE	
BLADE	06SPD070 15012	PLASTIC STIFF SPACER FOR DOOR TO FOAM THK=68	E	100	
	10BOA026	ANODIZED ALUMINIUM BLADE EDGE PROFILE THK=68 BAR L=6400	E	11	
	10VAT001 10065	INTERNAL ANGULAR REINFORCEMENT FOR BLADE EDGE THK=68	E	100	
	11INF030 11021	LOWER GASKET FOR DOORS THK=68	E	31	
	11PLP001 11014	PERIMETRAL GASKET H=18,5 FOR DOOR THK=68	C	29	
	12VAR402	FLAT PVC PROFILE FOR LOWER GASKET FIXING 15X5 BAR L=4000	E	24	
	13NQF004 13102	REVERSIBLE LOCK "ART. 94" FOR SLIDING DOOR L=163	F	83	
	13SEF002 13054	REVERSIBLE EXTERNAL ARTICULATED HANDLE WITH STAINL.ST. TUBE FOR ALUMINIUM BLADE EDGE	F	79	
	13SEF011 13049	REVERSIBLE EXTERNAL FIXED HANDLE WITH STAINLESS STEEL TUBE COMPLETE WITH PLUGS	D	78	
	13SEF046*	REVERSIBLE EXTERNAL LEVER HANDLE WITH LOGO MTH COMPLETE WITH PLUGS FOR SLIDING DOOR THK=68	D	80	
	13SIF001* 13050	INTERNAL STAINL.ST. LEVER HANDLE FOR SLIDING DOOR WITH RIGHT OPENING COMPLETE WITH STRIKER	D	81	
	13SIF301 13045	INTERNAL PLASTIC DEEP-SET HANDLE	F	78	
	15VAR100	FOAMING HOLE VALVE FOR DOORS=68-151	E	33	
	16COS003 16013	PLASTIC FIXING PLATE 65X40X10 WITH GALVANIZED NUT 1XM10	E	107	
	16COS004 16014	PLASTIC FIXING PLATE 60X40X8 WITH GALVANIZED NUTS 2XM8	D	106	
	16COS008	FIX. PLATE WITH INSERTS FOR EXTERNAL LEVER HANDLE FOR SLIDING DOOR THK=68	D	108	
	16PIS102*	FIX. PLATE WITH INSERTS FOR INTERNAL LEVER HANDLE FOR SLIDING DOOR RIGHT OPENING	D	108	
	24ACU001 15052	NYLON WEDGE H=35 FOR SLIDING DOOR	F	82	
	30BIA002 11041	SPONGE TAPE BI-ADHESIVE LONG SIDE 15X4	C	36	
	30ETI009*	FLUORESCENT PVC LABEL FOR FIXED HANDLE FOR DOOR WITH RIGHT OPENING	F	78	
	30ETI011	FLUORESCENT PVC LABEL FOR LOCK "ART. 94"	F	83	
	FRAME	05ANP001 15027	PLASTIC ANGLE FOR COUNTERFRAME JOIN	B	103
		05ANS001 15026	PLASTIC ANGLE FOR SIDE FRAME JOIN	B	102
		12COS006* 12025	SIDE FRAME PVC PROFILE H=60 WHITE RAL9010 BAR L=5400	B	22
		12GIU001 12028	THERMAL BREAK PASSAGEWAY COVERING PVC PROFILE WHITE RAL9010 BAR L=4500	C	22
		12MON001 12023	PVC PROFILE FRAME 110 WHITE RAL9010 BAR L=5300	B	20
		12NTR002* 12015	COUNTERFRAME PVC PROFILE PERFORATED WITH PROTECTION WHITE RAL9010 BAR L=6500	B	23
		12VAR101 12029	PVC PROFILE FOR COUNTERFRAME TO SIDE FRAME CONNECTION BAR L=2000	C	23
		12VAR500	FRAME REINFORCEMENT PLASTIC PROFILE BAR L=4000	C	20
		13SAE202 15056	PLASTIC STRIKER FOR EXTERNAL LEVER HANDLE COMPLETE WITH PLUGS	F	81
		15CPR002 15063	PLUG Ø 11,5 WHITE	B	94
		15CPR021 15061	PLUG Ø 22 WHITE	B	95
		15GIU002 15016	RIGHT JOINT FOR FRAME 110 WITH GALVANIZED BOLT	-	102
15GIU003* 15017		LEFT JOINT FOR FRAME 110 WITH GALVANIZED BOLT	B	102	
15TEL002* 15021		PLUG UPPER LEFT FOR FRAME 110	B	96	
15TEL003 15022		PLUG UPPER RIGHT FOR FRAME 110	-	96	
16PIT002 16023		GALVANIZED STEEL PLATE FOR FRAME 110 JOINT FIXING	B	102	
SLIDING SYSTEM		10GUA001 10044	ANODIZED ALUMINIUM WALL SIDE GUIDE PROFILE FOR PANEL L=7000	A	17
	10PCA005	ANODIZED ALUMINIUM TRACK COVER PROFILE MODEL MIRROR L=6250	A	16	
	10PMA001	ANODIZED ALUMINIUM TRACK PROFILE MODEL MIRROR BAR L=4950	A	16	
	14PMR002	BLACK FLAT HINGE FOR "MIRROR" TRACK AND COVER FASTENING	A	49	
	24ACN001 15058	LOWER CLOSING HOOK COMPLETE WITH PLUGS FOR SLIDING DOOR	E	79	
	24ACR001 15059	LOWER CLOSING HOOK STRIKER FOR SLIDING DOOR	E	79	
	24ACT602	OPENING SIDE END PLUG FOR "MIRROR" MODEL TRACK	A	60	
	24ACT603	RIGHT ALUMINIUM TRACK COVER HEAD FOR "MIRROR" MODEL TRACK	A	59	
	24ACT604	LEFT ALUMINIUM TRACK COVER HEAD FOR "MIRROR" MODEL TRACK	A	59	
	24ACT605	ALUMINIUM CENTRAL JOINT COVER FOR "MIRROR" MODEL TRACK	A	59	
	24BIN001	CLOSING BLOCK WITH BENDS AND PLUG FOR "MIRROR" MODEL TRACK	A	59	
	24BIN002	CENTRAL BLOCK WITH BENDS AND PLUG FOR "MIRROR" MODEL TRACK	A	60	
	24CPT600	UNIVERSAL RIGHT PLASTIC PULLEY WITH PA WHEEL AND GALVANIZED PIN L=155	F	55	
	24CPT601	UNIVERSAL LEFT PLASTIC PULLEY WITH PA WHEEL AND GALVANIZED PIN L=155	F	55	
	24FIS001 15049	PLASTIC WASHER Ø 12,5	A	106	
	24RCS910*	REAR GUIDE FIXING BRACKET FOR RIGHT OPENING	A	63	
	24RCT100 15072	REVERSIBLE REAR GUIDE PLUG	A	63	
	24RPV225	REVERSIBLE PLASTIC REAR REGISTER 2.0, WITH PIN AND ADJUSTABLE ROLLER	F	62	
	25TID012 15048	NUT FOR NYLON TENSION-ROD M12	A	106	
	25TIN016* 15046	NYLON TENSION-ROD M12 L=160	A	105	

* = Available in different versions (dimension / side / opening sense / material / feature)
 = Disponibile in diverse versioni (dimensione / lato / senso di apertura / materiale / caratteristica)

12ABC001 For more details click on the product code / Per maggiori dettagli clicca sul codice prodotto



** = Only for big dimension door / Solo per porte di grandi dimensioni

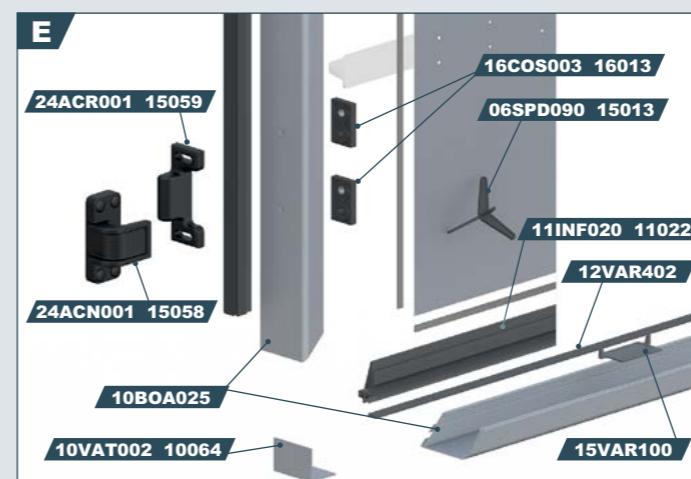
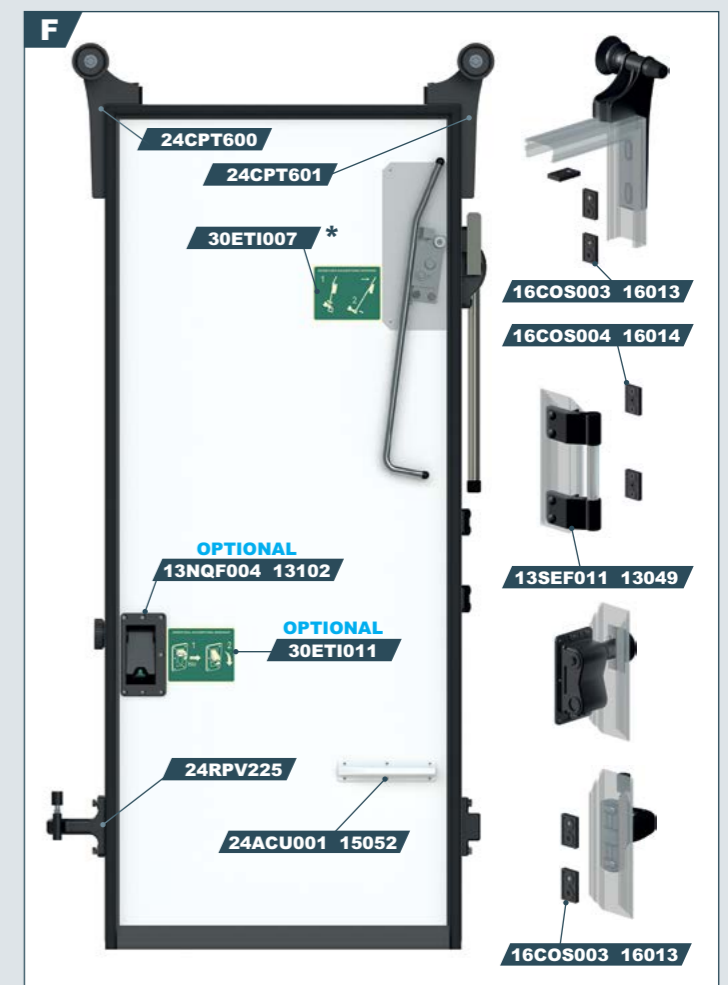
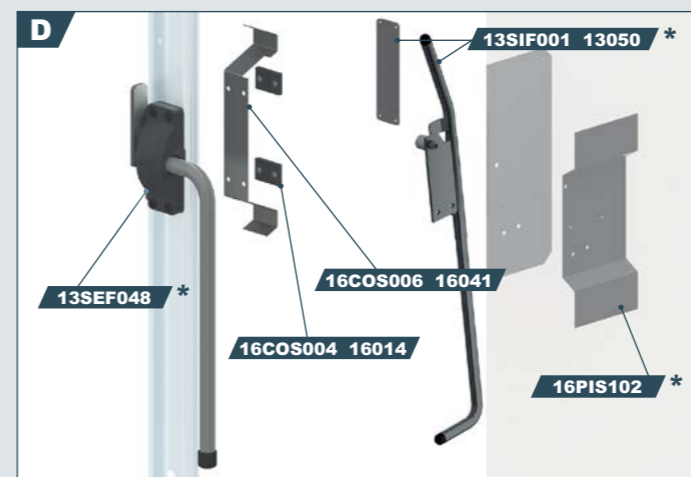
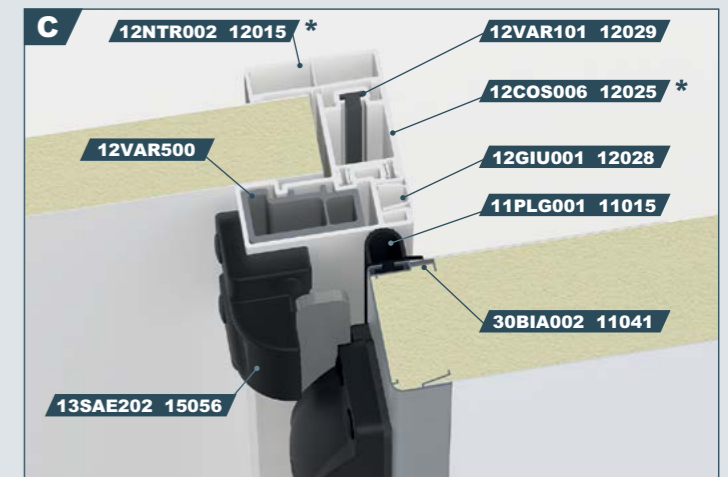
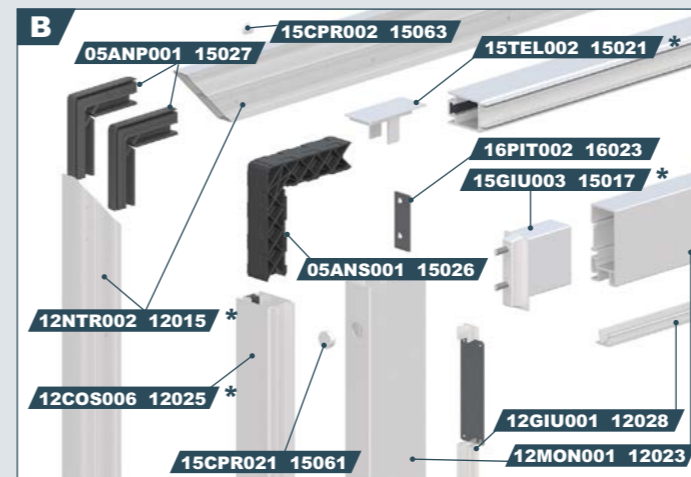
12ABC001 [For more details click on the product code / Per maggiori dettagli clicca sul codice prodotto](#)



	CODE	DESCRIPTION	BOX	PAGE
BLADE	06SPD090 15013	PLASTIC STIFF SPACER FOR DOOR TO FOAM THK=92	E	100
	10BOA025	ANODIZED ALUMINIUM BLADE EDGE PROFILE THK=92 ANODIZED BAR L=6250	E	11
	10VAT002 10064	INTERNAL ANGULAR REINFORCEMENT FOR BLADE EDGE THK=92	E	100
	11INF020 11022	LOWER GASKET FOR DOORS THK=92-151 L=4500	E	31
	11PLG001 11015	PERIMETRAL GASKET H=25 FOR DOOR THK=92-151	C	30
	12VAR402	FLAT PVC PROFILE FOR LOWER GASKET FIXING 15X5 BAR L=4000	E	24
	13NQF004 13102	REVERSIBLE LOCK "ART. 94" FOR SLIDING DOOR L=163	F	83
	13SEF011 13049	REVERSIBLE EXTERNAL FIXED HANDLE WITH STAINLESS STEEL TUBE COMPLETE WITH PLUGS	F	78
	13SEF048*	REVERSIBLE EXTERNAL LEVER HANDLE WITH LOGO MTH COMPLETE WITH PLUGS FOR SLIDING DOOR THK=92-151	D	80
	13SIF001* 13050	INTERNAL STAINLESS STEEL LEVER HANDLE FOR SLIDING DOOR WITH RIGHT OPENING COMPLETE WITH STRIKER	D	81
	15VAR100	FOAMING HOLE VALVE FOR DOORS=68-151	E	33
	16COS003 16013	PLASTIC FIXING PLATE 65X40X10 WITH GALVANIZED NUT 1XM10	E	107
	16COS004 16014	PLASTIC FIXING PLATE 60X40X8 WITH GALVANIZED NUTS 2XM8	D	106
	16COS006 16041	FIXING PLATE FOR INTERNAL LEVER HANDLE FOR SLIDING DOOR THK=92-151	D	108
	16PIS102*	FIXING PLATE WITH INSERTS FOR INTERNAL LEVER HANDLE FOR SLIDING DOOR RIGHT OPENING	D	108
	24ACU001 15052	NYLON WEDGE H=35 FOR SLIDING DOOR	F	82
	30BIA002 11041	SPONGE TAPE BI-ADHESIVE LONG SIDE 15X4	C	36
30ETI007*	FLUORESCENT PVC LABEL FOR INTERNAL LEVER HANDLE FOR DOOR WITH RIGHT OPENING	F	81	
30ETI011	FLUORESCENT PVC LABEL FOR LOCK "ART. 94"	F	83	
FRAME	05ANP001 15027	PLASTIC ANGLE FOR COUNTERFRAME JOIN	B	103
	05ANS001 15026	PLASTIC ANGLE FOR SIDE FRAME JOIN	B	102
	12COS006* 12025	SIDE FRAME PVC PROFILE H=60 WHITE RAL9010 BAR L=5400	B	22
	12GIU001 12028	THERMAL BREAK PASSAGEWAY COVERING PVC PROFILE WHITE RAL9010 BAR L=4500	B	22
	12MON001 12023	PVC PROFILE FRAME 110 WHITE RAL9010 BAR L=5300	B	20
	12NTR002* 12015	COUNTERFRAME PVC PROFILE PERFORATED WITH PROTECTION WHITE RAL9010 BAR L=6500	B	23
	12VAR101 12029	PVC PROFILE FOR COUNTERFRAME TO SIDE FRAME CONNECTION BAR L=2000	C	23
	12VAR500	FRAME REINFORCEMENT PLASTIC PROFILE BAR L=4000	C	20
	13SAE202 15056	PLASTIC STRIKER FOR EXTERNAL LEVER HANDLE COMPLETE WITH PLUGS	C	81
	15CPR002 15063	PLUG Ø 11,5 WHITE	B	94
	15CPR021 15061	PLUG Ø 22 WHITE	B	95
	15GIU002 15016	RIGHT JOINT FOR FRAME 110 WITH GALVANIZED BOLT	-	102
	15GIU003* 15017	LEFT JOINT FOR FRAME 110 WITH GALVANIZED BOLT	B	102
	15TEL002* 15021	UPPER LEFT PLUG FOR FRAME 110	B	96
	15TEL003 15022	UPPER RIGHT PLUG FOR FRAME 110	-	96
	16PIT002 16023	GALVANIZED STEEL PLATE FOR FRAME 110 JOINT FIXING	B	102
	SLIDING SYSTEM	10GUA001 10044	ANODIZED ALUMINIUM WALL SIDE GUIDE PROFILE FOR PANEL L=7000	A
10PCA005		ANODIZED ALUMINIUM TRACK COVER PROFILE MODEL "MIRROR" L=6250	A	16
10PMA001		ANODIZED ALUMINIUM TRACK PROFILE MODEL "MIRROR" BAR L=4950	A	16
14PMR002		BLACK FLAT HINGE FOR "MIRROR" TRACK AND COVER FASTENING	A	49
24ACN001 15058		LOWER CLOSING HOOK COMPLETE WITH PLUGS FOR SLIDING DOOR	E	79
24ACR001 15059		LOWER CLOSING HOOK STRIKER FOR SLIDING DOOR	E	79
24ACT602		OPENING SIDE END PLUG FOR "MIRROR" MODEL TRACK	A	60
24ACT603		RIGHT ALUMINIUM TRACK COVER HEAD FOR "MIRROR" MODEL TRACK	A	59
24ACT604		LEFT ALUMINIUM TRACK COVER HEAD FOR "MIRROR" MODEL TRACK	A	59
24ACT605		ALUMINIUM CENTRAL JOINT COVER FOR "MIRROR" MODEL TRACK	A	59
24BIN001		CLOSING BLOCK WITH BENDS AND PLUG FOR "MIRROR" MODEL TRACK	A	59
24BIN002		CENTRAL BLOCK WITH BENDS AND PLUG FOR "MIRROR" MODEL TRACK	A	60
24CPT600		UNIVERSAL RIGHT PLASTIC PULLEY WITH PA WHEEL AND GALVANIZED PIN L=155	F	55
24CPT601		UNIVERSAL LEFT PLASTIC PULLEY WITH PA WHEEL AND GALVANIZED PIN L=155	F	55
24FIS001 15049		PLASTIC WASHER Ø 12,5	A	106
24RCS910*		REAR GUIDE FIXING BRACKET FOR RIGHT OPENING	A	63
24RCT100 15072		REVERSIBLE REAR GUIDE PLUG	A	63
24RPV225	REVERSIBLE PLASTIC REAR REGISTER 2.0, WITH PIN AND ADJUSTABLE ROLLER	F	62	
25TID012 15048	NUT FOR NYLON TENSION-ROD M12	A	106	
25TIN016* 15046	NYLON TENSION-ROD M12 L=160	A	105	

* = Available in different versions (dimension / side / opening sense / material / feature)
 = Disponibile in diverse versioni (dimensione / lato / senso di apertura / materiale / caratteristica)

12ABC001 For more details click on the product code / Per maggiori dettagli clicca sul codice prodotto

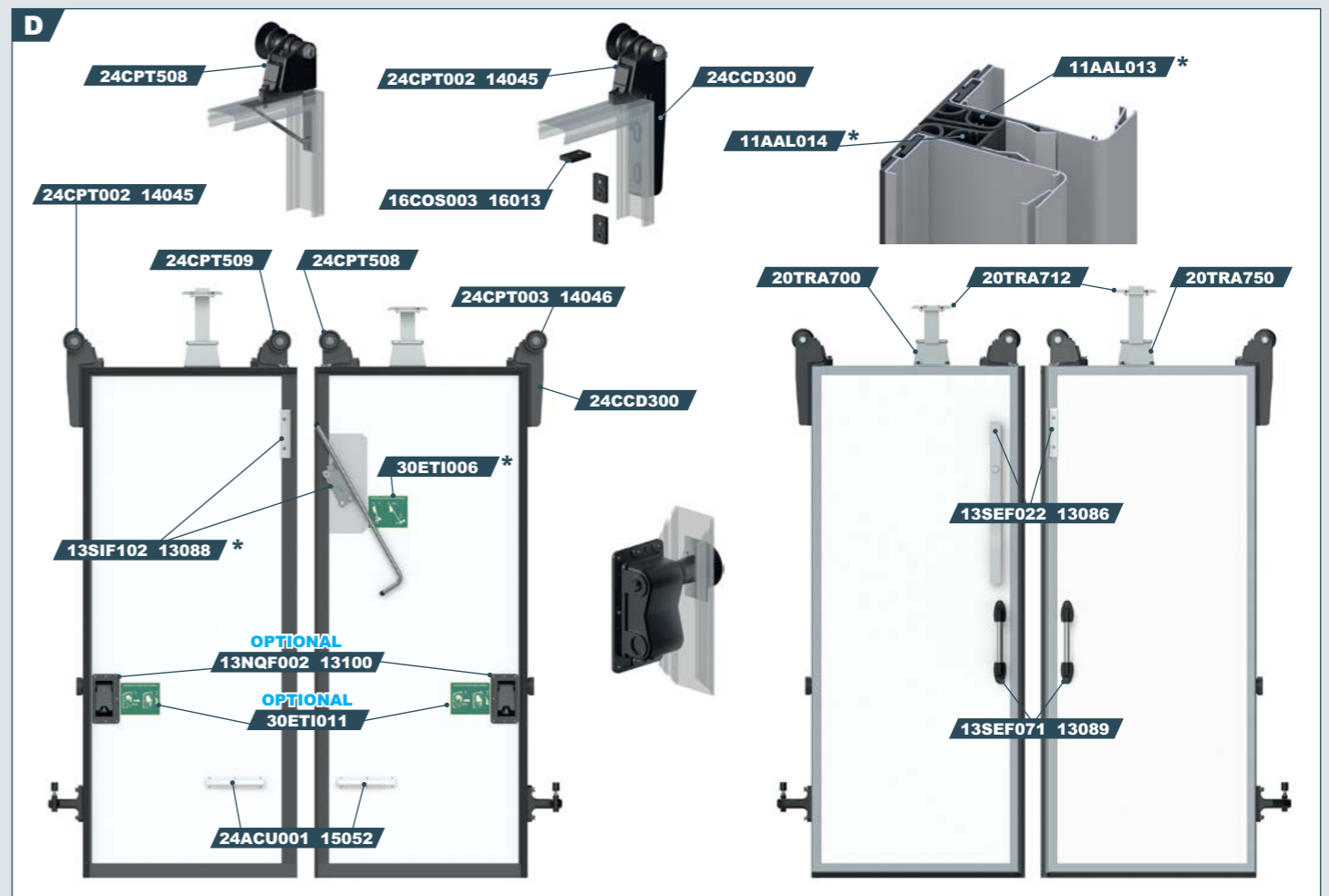
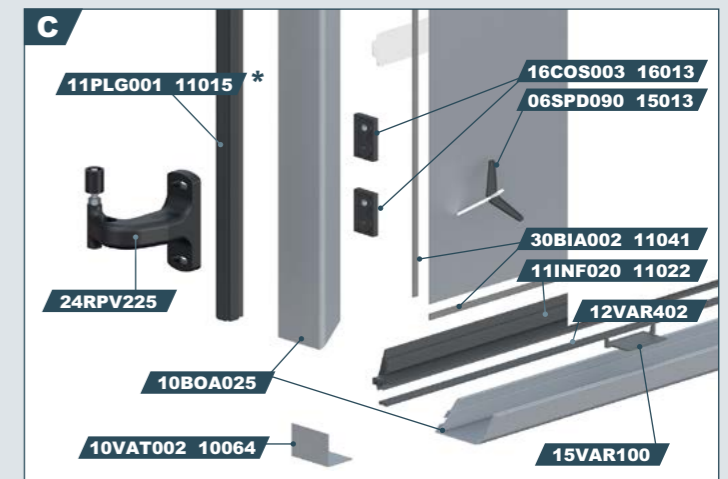
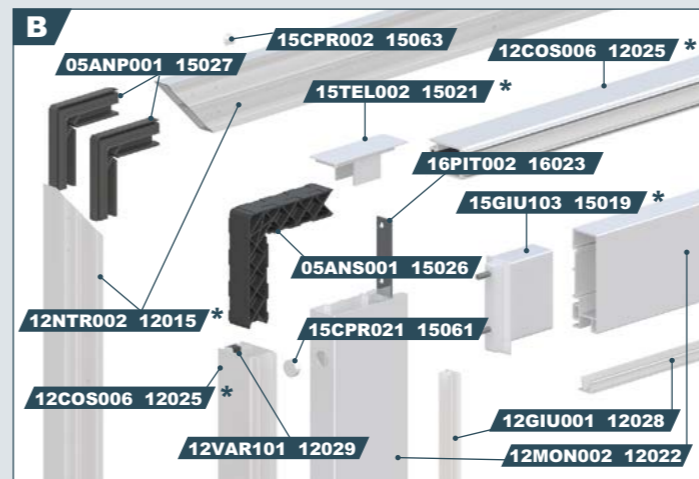
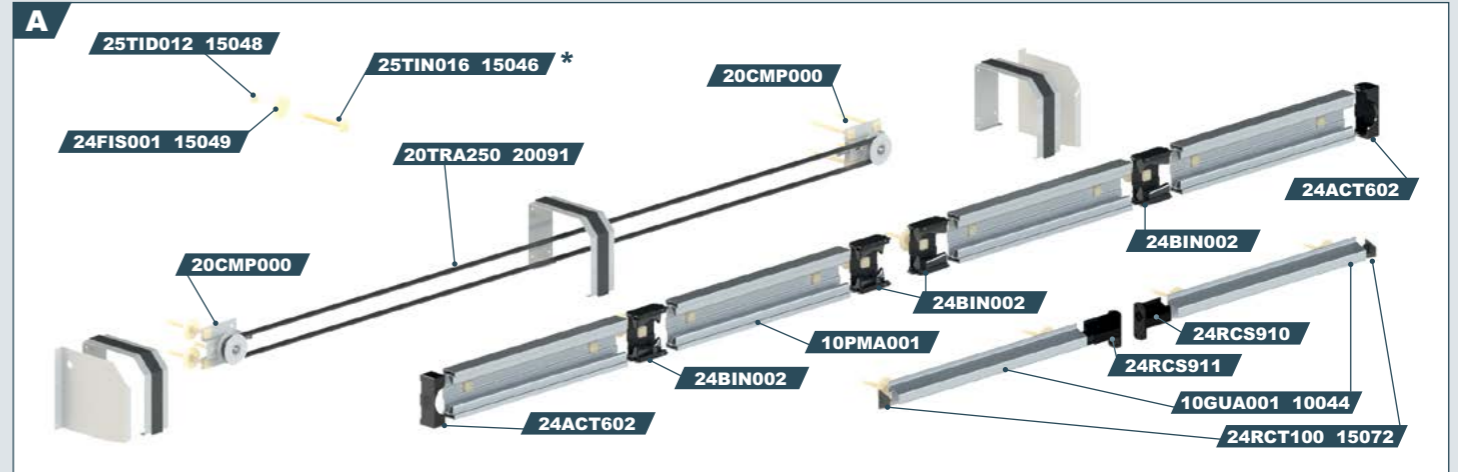
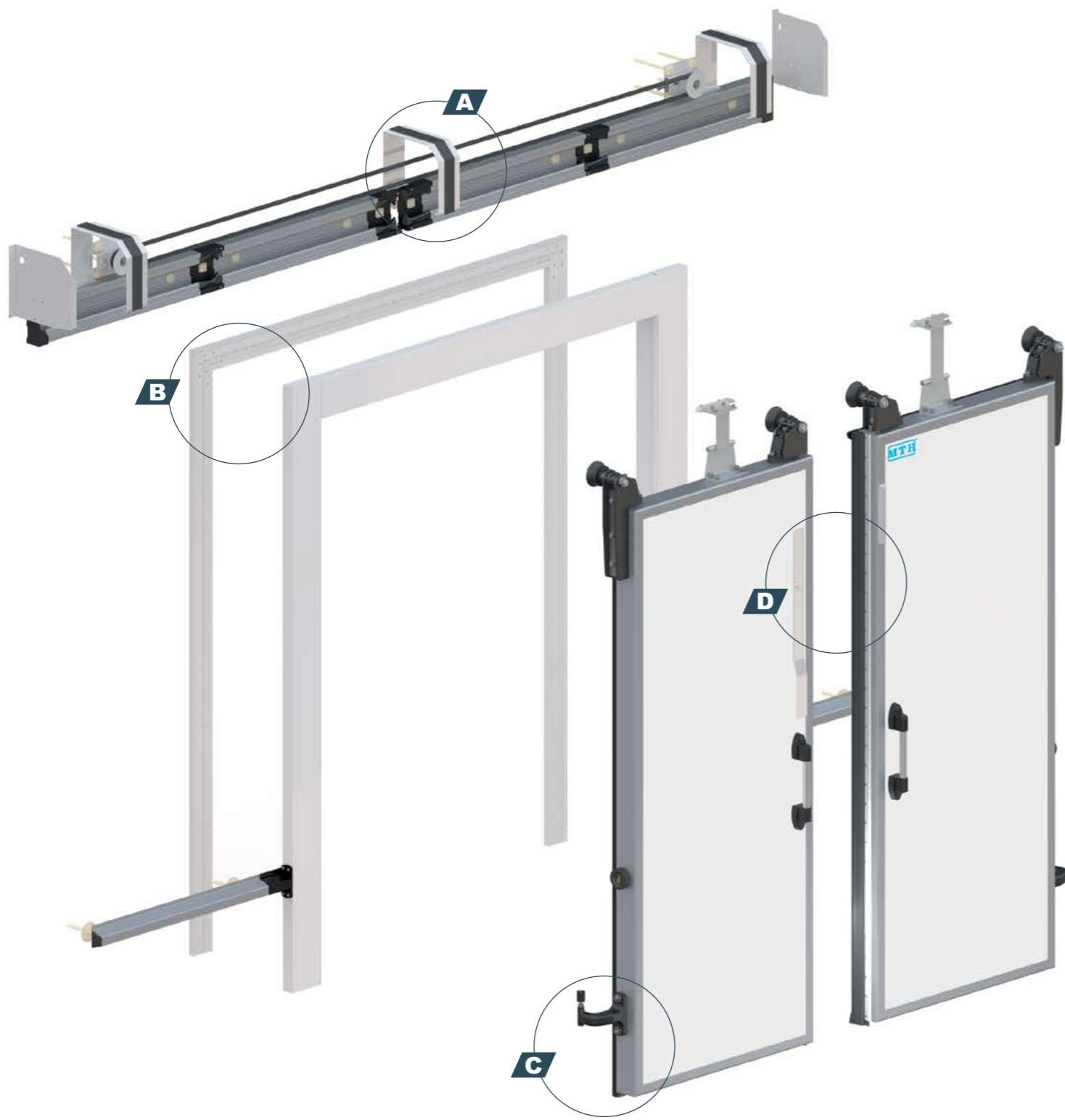




	CODE	DESCRIPTION	BOX	PAGE	
BLADE	06SPD090 15013	PLASTIC STIFF SPACER FOR DOOR TO FOAM THK=92	C	100	
	10BOA025	ANODIZED ALUMINIUM BLADE EDGE PROFILE THK=92 ANODIZED BAR L=6250	C	11	
	10VAT002 10064	INTERNAL ANGULAR REINFORCEMENT FOR BLADE EDGE THK=92	C	100	
	11AAL013*	GASKET FOR DOUBLE BLADE THK=92-151 FIXED LEAF L=3500	D	31	
	11AAL014*	GASKET FOR DOUBLE BLADE THK=92-151 MOBILE LEAF L=3500	D	30	
	11INF020 11022	LOWER GASKET FOR DOORS THK=92-151 L=4500	C	31	
	11PLG001 11015	PERIMETRAL GASKET H=25 FOR DOOR THK=92-151	C	30	
	12VAR402	FLAT PVC PROFILE FOR LOWER GASKET FIXING 15X5 BAR L=4000	C	24	
	13NQF002 13100	REVERSIBLE LOCK "ART. 94" FOR SLIDING DOOR L=204	D	83	
	13SEF022 13086	REVERSIBLE EXTERNAL LEVER HANDLE L=660 FOR DOUBLE-BLADED SLIDING DOORS COMPLETE WITH STRIKER	D	82	
	13SEF071 13089	EXTERNAL FIXED HANDLE ON THE FRONT WITH STAINLESS STEEL TUBE COMPLETE WITH PLUGS	D	82	
	13SIF102 13088	INTERNAL STAINLESS STEEL LEVER HANDLE FOR DOUBLE-BLADED SLIDING DOOR LEFT OPENING COMPLETE WITH STRIKER	D	82	
	15VAR100	FOAMING HOLE VALVE FOR DOORS=68-151	C	33	
	16COS003 16013	PLASTIC FIXING PLATE 65X40X10 WITH GALVANIZED NUT 1XM10	C	107	
	24ACU001 15052	NYLON WEDGE H=35 FOR SLIDING DOOR	D	82	
	30BIA002 11041	SPONGE TAPE BI-ADHESIVE LONG SIDE 15X4	C	36	
	30ETI006*	FLUORESCENT PVC LABEL FOR INTERNAL LEVER HANDLE FOR DOOR WITH LEFT OPENING	D	81	
	30ETI011	FLUORESCENT PVC LABEL FOR LOCK "ART. 94"	D	83	
	FRAME	05ANP001 15027	PLASTIC ANGLE FOR COUNTERFRAME JOIN	B	103
		05ANS001 15026	PLASTIC ANGLE FOR SIDE FRAME JOIN	B	102
12COS006* 12025		SIDE FRAME PVC PROFILE H=60 WHITE RAL9010 BAR L=5400	B	22	
12GIU001 12028		THERMAL BREAK PASSAGEWAY COVERING PVC PROFILE WHITE RAL9010 BAR L=4500	B	22	
12MON002 12022		PVC PROFILE FRAME 140 WHITE RAL9010 BAR L=5400	B	21	
12NTR002* 12015		COUNTERFRAME PVC PROFILE PERFORATED WITH PROTECTION WHITE RAL9010 BAR L=6500	B	23	
12VAR101 12029		PVC PROFILE FOR COUNTERFRAME TO SIDE FRAME CONNECTION BAR L=2000	B	23	
15CPR002 15063		PLUG Ø 11,5 WHITE	B	94	
15CPR021 15061		PLUG Ø 22 WHITE	B	95	
15GIU102 15018		RIGHT JOINT FOR FRAME 140 WITH GALVANIZED BOLT	-	104	
15GIU103* 15019		LEFT JOINT FOR FRAME 140 WITH GALVANIZED BOLT	B	105	
15TEL002* 15021		UPPER LEFT PLUG FOR FRAME 110	B	96	
15TEL003 15022		UPPER RIGHT PLUG FOR FRAME 110	-	96	
16PIT002 16023		GALVANIZED STEEL PLATE FOR FRAME 110 JOINT FIXING	B	102	
SLIDING SYSTEM		10GUA001 10044	ANODIZED ALUMINIUM WALL SIDE GUIDE PROFILE FOR PANEL L=7000	A	17
		10PMA001	ANODIZED ALUMINIUM TRACK PROFILE MODEL "MIRROR" BAR L=4950	A	16
	20CMP000	COMPLETE BELT TENSIONER SYSTEM FOR PLCL/PLCE AUTOMATION	A	116	
	20TRA250 20091	POLYURETHANE TOOTHED BELT IN T10	A	116	
	20TRA700	GALVANIZED DRIVER FOR PLCE/PLCL AUTOMATION	D	117	
	20TRA712	COMPLETE CLOSING LIMIT BLOCK FOR PLCL/PLCE AUTOMATION BELT	D	117	
	20TRA750	GALVANIZED DRIVER FOR PLCE/PLCL AUTOMATION AND MANUAL DOUBLE-BLADED DOORS	D	117	
	24ACT602	OPENING SIDE END PLUG FOR "MIRROR" MODEL TRACK	A	60	
	24BIN002	CENTRAL BLOCK WITH BENDS AND PLUG FOR "MIRROR" MODEL TRACK	A	60	
	24CPT002 14045	RIGHT PLASTIC PULLEY WITH PA WHEEL AND GALVANIZED PIN L=155 SUPPORT INCLUDED	D	56	
	24CPT003 14046	LEFT PLASTIC PULLEY WITH PA WHEEL AND GALVANIZED PIN L=155 SUPPORT INCLUDED	D	56	
	24CCD300	SPACER H=15 FOR PLASTIC PULLEY	D	56	
	24CPT508	FULL RIGHT CENTRAL PLASTIC PULLEY FOR DOUBLE-BLADED DOOR WITH SUPPORT	D	58	
	24CPT509	FULL LEFT CENTRAL PLASTIC PULLEY FOR DOUBLE-BLADED DOOR WITH SUPPORT	D	58	
	24FIS001 15049	PLASTIC WASHER Ø 12,5	A	106	
	24RCS910	REAR GUIDE FIXING BRACKET FOR RIGHT OPENING	A	63	
	24RCS911	REAR GUIDE FIXING BRACKET FOR LEFT OPENING	A	63	
	24RCT100 15072	REVERSIBLE REAR GUIDE PLUG	A	63	
	24RPV225	REVERSIBLE PLASTIC REAR REGISTER 2.0, WITH PIN AND ADJUSTABLE ROLLER	C	62	
	25TID012 15048	NUT FOR NYLON TENSION-ROD M12	A	106	
25TIN016* 15046	NYLON TENSION-ROD M12 L=160	A	105		

* = Available in different versions (dimension / side / opening sense / material / feature)
 = Disponibile in diverse versioni (dimensione / lato / senso di apertura / materiale / caratteristica)

12ABC001 For more details click on the product code / Per maggiori dettagli clicca sul codice prodotto

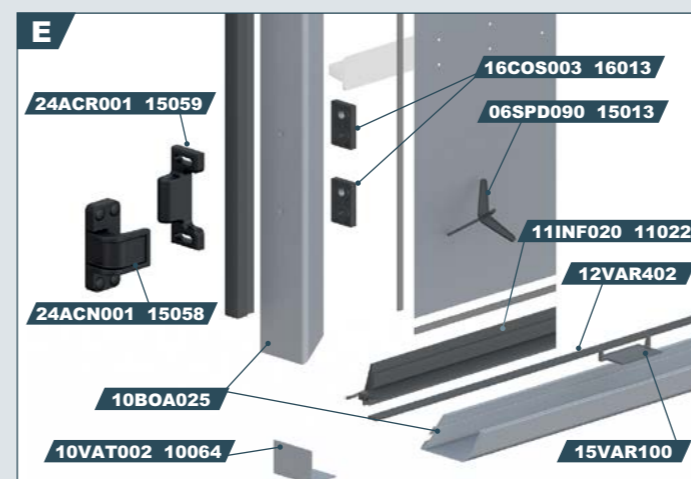
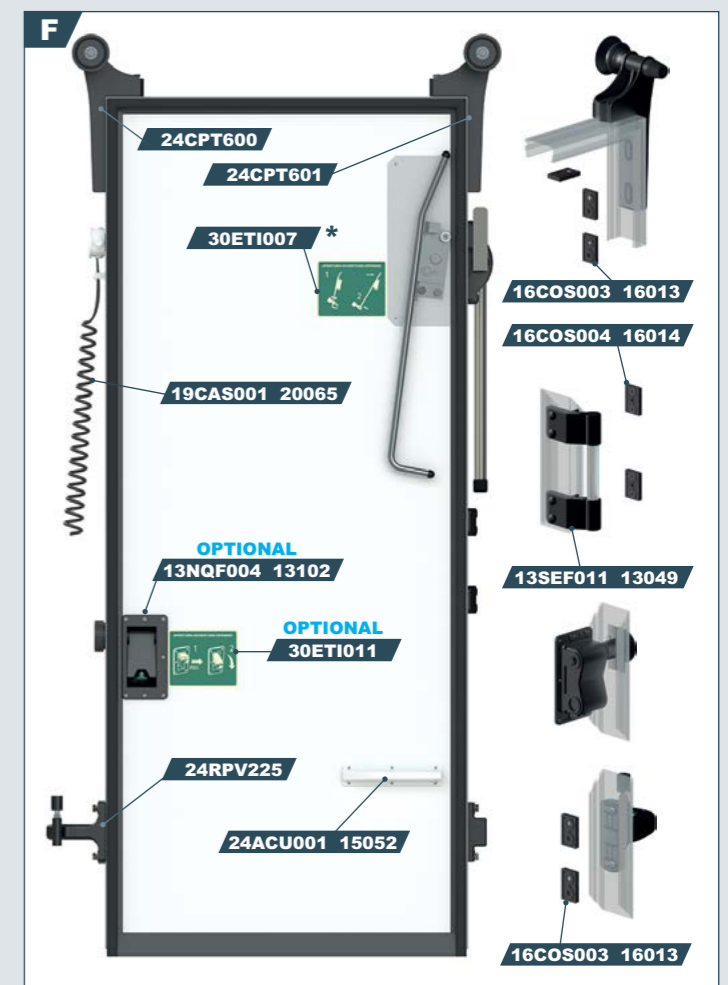
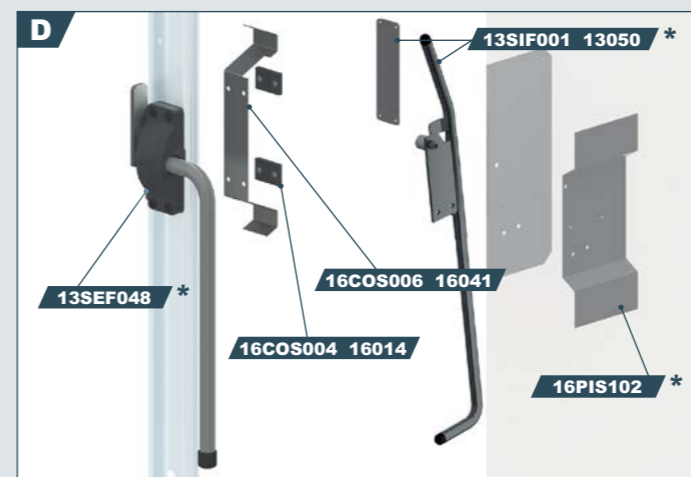
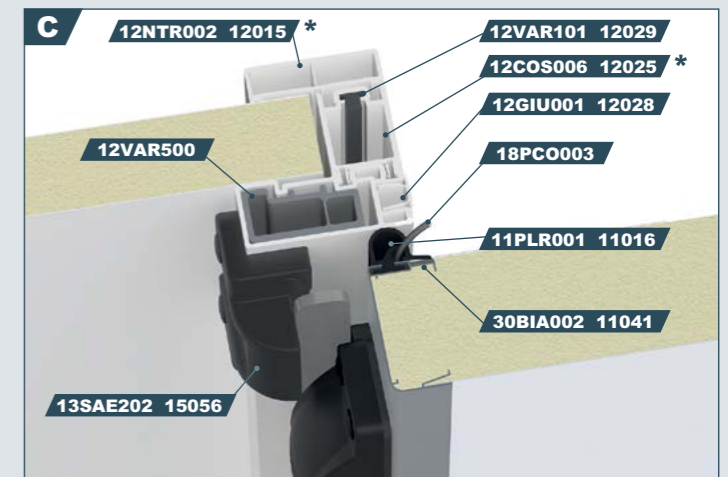
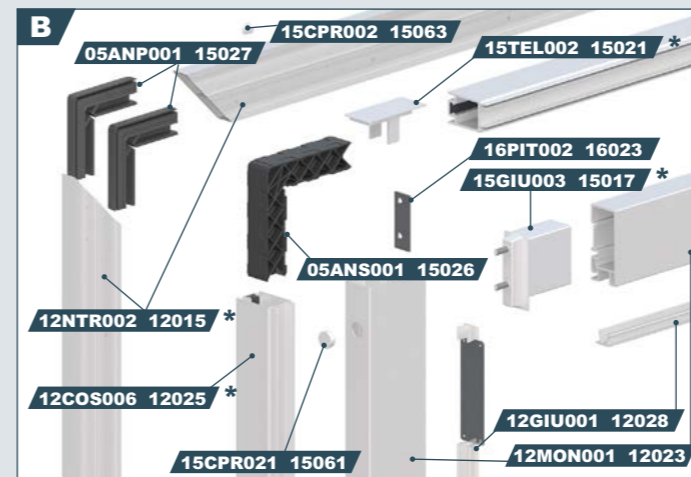




	CODE	DESCRIPTION	BOX	PAGE	
BLADE	06SPD090 15013	PLASTIC STIFF SPACER FOR DOOR TO FOAM THK=92	E	100	
	10BOA025	ANODIZED ALUMINIUM BLADE EDGE PROFILE THK=92 ANODIZED BAR L=6250	E	11	
	10VAT002 10064	INTERNAL ANGULAR REINFORCEMENT FOR BLADE EDGE THK=92	E	100	
	11INF020 11022	LOWER GASKET FOR DOORS THK=92-151 L=4500	E	31	
	11PLR001 11016	PERIMETRAL GASKET H=25 WITH HEATING CABLE PASSAGE	C	30	
	12VAR402	FLAT PVC PROFILE FOR LOWER GASKET FIXING 15X5 BAR L=4000	E	24	
	13NQF004 13102	REVERSIBLE LOCK "ART. 94" FOR SLIDING DOOR L=163	F	83	
	13SEF011 13049	REVERSIBLE EXTERNAL FIXED HANDLE WITH STAINLESS STEEL TUBE COMPLETE WITH PLUGS	F	78	
	13SEF048*	REVERSIBLE EXTERNAL LEVER HANDLE WITH LOGO MTH COMPLETE WITH PLUGS FOR SLIDING DOOR THK=92-151	D	80	
	13SIF001* 13050	INTERNAL STAINLESS STEEL LEVER HANDLE FOR SLIDING DOOR WITH RIGHT OPENING COMPLETE WITH STRIKER	D	81	
	15VAR100	FOAMING HOLE VALVE FOR DOORS=68-151	E	33	
	16COS003 16013	PLASTIC FIXING PLATE 65X40X10 WITH GALVANIZED NUT 1X10	E	107	
	16COS004 16014	PLASTIC FIXING PLATE 60X40X8 WITH GALVANIZED NUTS 2X8	D	106	
	16COS006 16041	FIXING PLATE FOR INTERNAL LEVER HANDLE FOR SLIDING DOOR THK=92-151	D	108	
	16PIS102*	FIXING PLATE WITH INSERTS FOR INTERNAL LEVER HANDLE FOR SLIDING DOOR RIGHT OPENING	D	108	
	18PCO003	HEATING CABLE COIL AT CONSTANT POWER 30W/230V Ø 4 SILICON-COATED WITH METAL BRAIDED SLEEVE L=250M	C	41	
	19CAS001 20065	SPIRAL CABLE BLACK 3 X 1,5 mm² EXTENSION L=5000	F	121	
	24ACU001 15052	NYLON WEDGE H=35 FOR SLIDING DOOR	F	82	
	30BIA002 11041	SPONGE TAPE BI-ADHESIVE LONG SIDE 15X4	C	36	
	30ETI007*	FLUORESCENT PVC LABEL FOR INTERNAL LEVER HANDLE FOR DOOR WITH RIGHT OPENING	F	81	
30ETI011	FLUORESCENT PVC LABEL FOR LOCK "ART. 94"	F	83		
FRAME	05ANP001 15027	PLASTIC ANGLE FOR COUNTERFRAME JOIN	B	103	
	05ANS001 15026	PLASTIC ANGLE FOR SIDE FRAME JOIN	B	102	
	12COS006* 12025	SIDE FRAME PVC PROFILE H=60 WHITE RAL9010 BAR L=5400	B	22	
	12GIU001 12028	THERMAL BREAK PASSAGEWAY COVERING PVC PROFILE WHITE RAL9010 BAR L=4500	B	22	
	12MON001 12023	PVC PROFILE FRAME 110 WHITE RAL9010 BAR L=5300	B	20	
	12NTR002* 12015	COUNTERFRAME PVC PROFILE PERFORATED WITH PROTECTION WHITE RAL9010 BAR L=6500	B	23	
	12VAR101 12029	PVC PROFILE FOR COUNTERFRAME TO SIDE FRAME CONNECTION BAR L=2000	C	23	
	12VAR500	FRAME REINFORCEMENT PLASTIC PROFILE BAR L=4000	C	20	
	13SAE202 15056	PLASTIC STRIKER FOR EXTERNAL LEVER HANDLE COMPLETE WITH PLUGS	C	81	
	15CPR002 15063	PLUG Ø 11,5 WHITE	B	94	
	15CPR021 15061	PLUG Ø 22 WHITE	B	95	
	15GIU002 15016	RIGHT JOINT FOR FRAME 110 WITH GALVANIZED BOLT	-	102	
	15GIU003* 15017	LEFT JOINT FOR FRAME 110 WITH GALVANIZED BOLT	B	102	
	15TEL002* 15021	UPPER LEFT PLUG FOR FRAME 110	B	96	
	15TEL003 15022	UPPER RIGHT PLUG FOR FRAME 110	-	96	
	16PIT002 16023	GALVANIZED STEEL PLATE FOR FRAME 110 JOINT FIXING	B	102	
	SLIDING SYSTEM	10GUA001 10044	ANODIZED ALUMINIUM WALL SIDE GUIDE PROFILE FOR PANEL L=7000	A	17
		10PCA005	ANODIZED ALUMINIUM TRACK COVER PROFILE MODEL "MIRROR" L=6250	A	16
10PMA001		ANODIZED ALUMINIUM TRACK PROFILE MODEL "MIRROR" BAR L=4950	A	16	
14PMR002		BLACK FLAT HINGE FOR "MIRROR" TRACK AND COVER FASTENING	A	49	
24ACN001 15058		LOWER CLOSING HOOK COMPLETE WITH PLUGS FOR SLIDING DOOR	E	79	
24ACR001 15059		LOWER CLOSING HOOK STRIKER FOR SLIDING DOOR	E	79	
24ACT602		OPENING SIDE END PLUG FOR "MIRROR" MODEL TRACK	A	60	
24ACT603		RIGHT ALUMINIUM TRACK COVER HEAD FOR "MIRROR" MODEL TRACK	A	59	
24ACT604		LEFT ALUMINIUM TRACK COVER HEAD FOR "MIRROR" MODEL TRACK	A	59	
24ACT605		ALUMINIUM CENTRAL JOINT COVER FOR "MIRROR" MODEL TRACK	A	59	
24BIN001		CLOSING BLOCK WITH BENDS AND PLUG FOR "MIRROR" MODEL TRACK	A	59	
24BIN002		CENTRAL BLOCK WITH BENDS AND PLUG FOR "MIRROR" MODEL TRACK	A	60	
24CPT600		UNIVERSAL RIGHT PLASTIC PULLEY WITH PA WHEEL AND GALVANIZED PIN L=155	F	55	
24CPT601		UNIVERSAL LEFT PLASTIC PULLEY WITH PA WHEEL AND GALVANIZED PIN L=155	F	55	
24FIS001 15049		PLASTIC WASHER Ø 12,5	A	106	
24RCS910*		REAR GUIDE FIXING BRACKET FOR RIGHT OPENING	A	63	
24RCT100 15072		REVERSIBLE REAR GUIDE PLUG	A	63	
24RPV225		REVERSIBLE PLASTIC REAR REGISTER 2.0, WITH PIN AND ADJUSTABLE ROLLER	F	62	
25TID012 15048		NUT FOR NYLON TENSION-ROD M12	A	106	
25TIN016* 15046		NYLON TENSION-ROD M12 L=160	A	105	

* = Available in different versions (dimension / side / opening sense / material / feature)
 = Disponibile in diverse versioni (dimensione / lato / senso di apertura / materiale / caratteristica)

12ABC001 For more details click on the product code / Per maggiori dettagli clicca sul codice prodotto

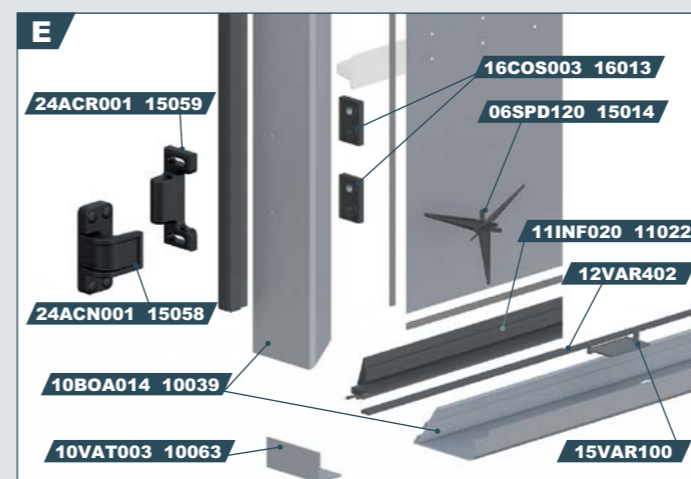
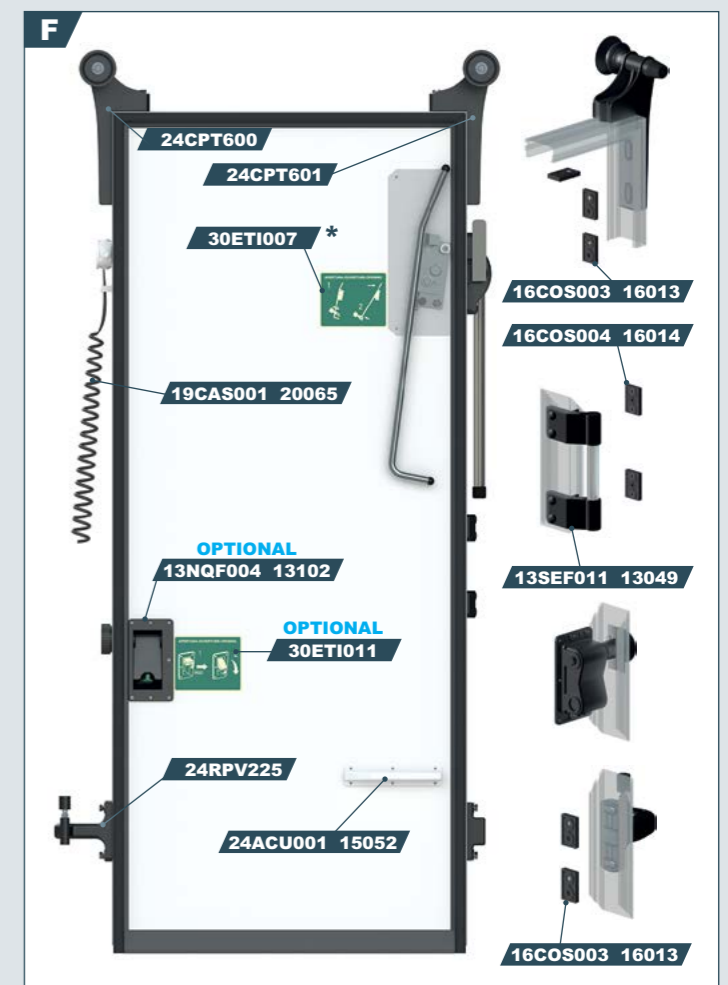
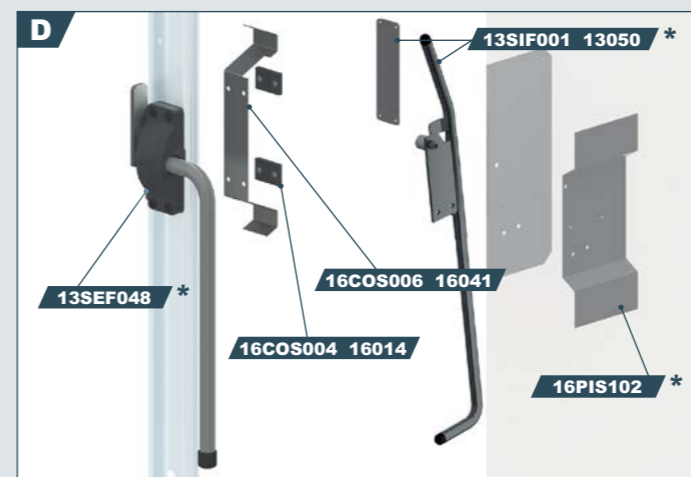
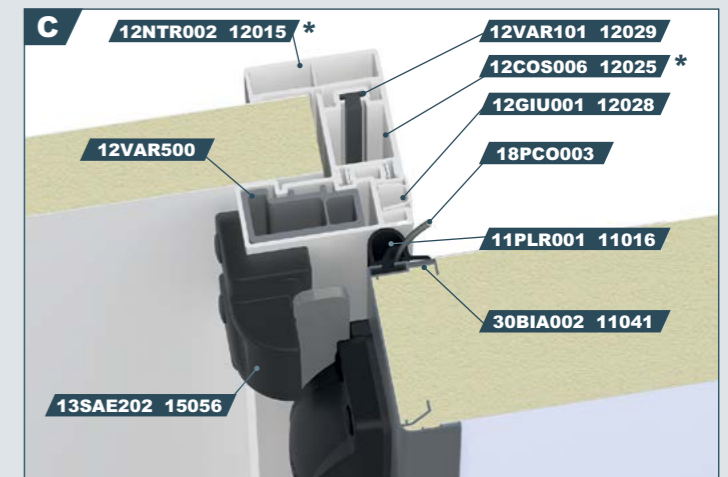
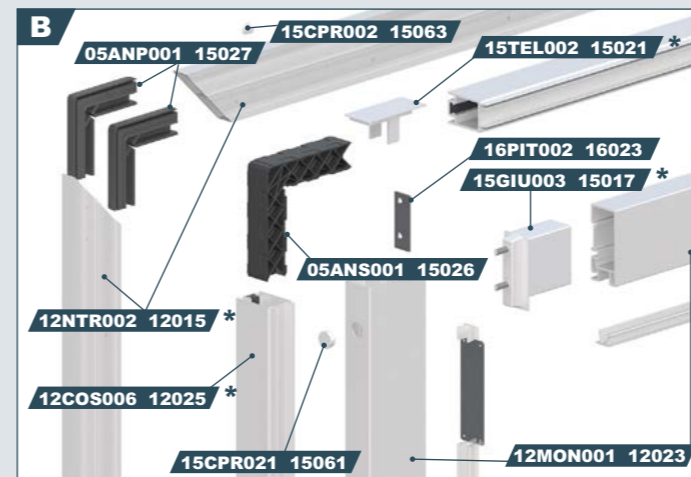




	CODE	DESCRIPTION	BOX	PAGE	
BLADE	06SPD120 15014	PLASTIC STIFF SPACER FOR DOOR TO FOAM THK=121	E	100	
	10BOA014 10039	ANODIZED ALUMINIUM BLADE EDGE PROFILE THK=121 BAR L=6500	E	12	
	10VAT003 10063	INTERNAL ANGULAR REINFORCEMENT FOR BLADE EDGE THK=121	E	100	
	11INF020 11022	LOWER GASKET FOR DOORS THK=92-151 L=4500	E	31	
	11PLR001 11016	PERIMETRAL GASKET H=25 WITH HEATING CABLE PASSAGE	C	30	
	12VAR402	FLAT PVC PROFILE FOR LOWER GASKET FIXING 15X5 BAR L=4000	E	24	
	13NQF004 13102	REVERSIBLE LOCK "ART. 94" FOR SLIDING DOOR L=163	F	83	
	13SEF011 13049	REVERSIBLE EXTERNAL FIXED HANDLE WITH STAINLESS STEEL TUBE COMPLETE WITH PLUGS	F	78	
	13SEF048*	REVERSIBLE EXTERNAL LEVER HANDLE WITH LOGO MTH COMPLETE WITH PLUGS FOR SLIDING DOOR THK=92-151	D	80	
	13SIF001* 13050	INTERNAL STAINLESS STEEL LEVER HANDLE FOR SLIDING DOOR WITH RIGHT OPENING COMPLETE WITH STRIKER	D	81	
	15VAR100	FOAMING HOLE VALVE FOR DOORS=68-151	E	33	
	16COS003 16013	PLASTIC FIXING PLATE 65X40X10 WITH GALVANIZED NUT 1X10	E	107	
	16COS004 16014	PLASTIC FIXING PLATE 60X40X8 WITH GALVANIZED NUTS 2X8	D	106	
	16COS006 16041	FIXING PLATE FOR INTERNAL LEVER HANDLE FOR SLIDING DOOR THK=92-151	D	108	
	16PIS102*	FIXING PLATE WITH INSERTS FOR INTERNAL LEVER HANDLE FOR SLIDING DOOR RIGHT OPENING	D	108	
	18PCO003	HEATING CABLE COIL AT CONSTANT POWER 30W/230V Ø 4 SILICON-COATED WITH METAL BRAIDED SLEEVE L=250M	C	41	
	19CAS001 20065	SPIRAL CABLE BLACK 3 X 1,5 mm² EXTENSION L=5000	F	121	
	24ACU001 15052	NYLON WEDGE H=35 FOR SLIDING DOOR	F	82	
	30BIA002 11041	SPONGE TAPE BI-ADHESIVE LONG SIDE 15X4	C	36	
	30ETI007*	FLUORESCENT PVC LABEL FOR INTERNAL LEVER HANDLE FOR DOOR WITH RIGHT OPENING	F	81	
30ETI011	FLUORESCENT PVC LABEL FOR LOCK "ART. 94"	F	83		
FRAME	05ANP001 15027	PLASTIC ANGLE FOR COUNTERFRAME JOIN	B	103	
	05ANS001 15026	PLASTIC ANGLE FOR SIDE FRAME JOIN	B	102	
	12COS006* 12025	SIDE FRAME PVC PROFILE H=60 WHITE RAL9010 BAR L=5400	B	22	
	12GIU001 12028	THERMAL BREAK PASSAGEWAY COVERING PVC PROFILE WHITE RAL9010 BAR L=4500	C	22	
	12MON001 12023	PVC PROFILE FRAME 110 WHITE RAL9010 BAR L=5300	B	20	
	12NTR002* 12015	COUNTERFRAME PVC PROFILE PERFORATED WITH PROTECTION WHITE RAL9010 BAR L=6500	B	23	
	12VAR101 12029	PVC PROFILE FOR COUNTERFRAME TO SIDE FRAME CONNECTION BAR L=2000	C	23	
	12VAR500	FRAME REINFORCEMENT PLASTIC PROFILE BAR L=4000	C	20	
	13SAE202 15056	PLASTIC STRIKER FOR EXTERNAL LEVER HANDLE COMPLETE WITH PLUGS	C	81	
	15CPR002 15063	PLUG Ø 11,5 WHITE	B	94	
	15CPR021 15061	PLUG Ø 22 WHITE	B	95	
	15GIU002 15016	RIGHT JOINT FOR FRAME 110 WITH GALVANIZED BOLT	-	102	
	15GIU003* 15017	LEFT JOINT FOR FRAME 110 WITH GALVANIZED BOLT	B	102	
	15TEL002* 15021	UPPER LEFT PLUG FOR FRAME 110	B	96	
	15TEL003 15022	UPPER RIGHT PLUG FOR FRAME 110	-	96	
	16PIT002 16023	GALVANIZED STEEL PLATE FOR FRAME 110 JOINT FIXING	B	102	
	SLIDING SYSTEM	10GUA001 10044	ANODIZED ALUMINIUM WALL SIDE GUIDE PROFILE FOR PANEL L=7000	A	17
		10PCA005	ANODIZED ALUMINIUM TRACK COVER PROFILE MODEL "MIRROR" L=6250	A	16
10PMA001		ANODIZED ALUMINIUM TRACK PROFILE MODEL "MIRROR" BAR L=4950	A	16	
14PMR002		BLACK FLAT HINGE FOR "MIRROR" TRACK AND COVER FASTENING	A	49	
24ACN001 15058		LOWER CLOSING HOOK COMPLETE WITH PLUGS FOR SLIDING DOOR	E	79	
24ACR001 15059		LOWER CLOSING HOOK STRIKER FOR SLIDING DOOR	E	79	
24ACT602		OPENING SIDE END PLUG FOR "MIRROR" MODEL TRACK	A	60	
24ACT603		RIGHT ALUMINIUM TRACK COVER HEAD FOR "MIRROR" MODEL TRACK	A	59	
24ACT604		LEFT ALUMINIUM TRACK COVER HEAD FOR "MIRROR" MODEL TRACK	A	59	
24ACT605		ALUMINIUM CENTRAL JOINT COVER FOR "MIRROR" MODEL TRACK	A	59	
24BIN001		CLOSING BLOCK WITH BENDS AND PLUG FOR "MIRROR" MODEL TRACK	A	59	
24BIN002		CENTRAL BLOCK WITH BENDS AND PLUG FOR "MIRROR" MODEL TRACK	A	60	
24CPT600		UNIVERSAL RIGHT PLASTIC PULLEY WITH PA WHEEL AND GALVANIZED PIN L=155	F	55	
24CPT601		UNIVERSAL LEFT PLASTIC PULLEY WITH PA WHEEL AND GALVANIZED PIN L=155	F	55	
24FIS001 15049		PLASTIC WASHER Ø 12,5	A	106	
24RCS910*		REAR GUIDE FIXING BRACKET FOR RIGHT OPENING	A	63	
24RCT100 15072		REVERSIBLE REAR GUIDE PLUG	A	63	
24RPV225		REVERSIBLE PLASTIC REAR REGISTER 2.0, WITH PIN AND ADJUSTABLE ROLLER	F	62	
25TID012 15048		NUT FOR NYLON TENSION-ROD M12	A	106	
25TIN016* 15046		NYLON TENSION-ROD M12 L=160	A	105	

* = Available in different versions (dimension / side / opening sense / material / feature)
 = Disponibile in diverse versioni (dimensione / lato / senso di apertura / materiale / caratteristica)

12ABC001 For more details click on the product code / Per maggiori dettagli clicca sul codice prodotto

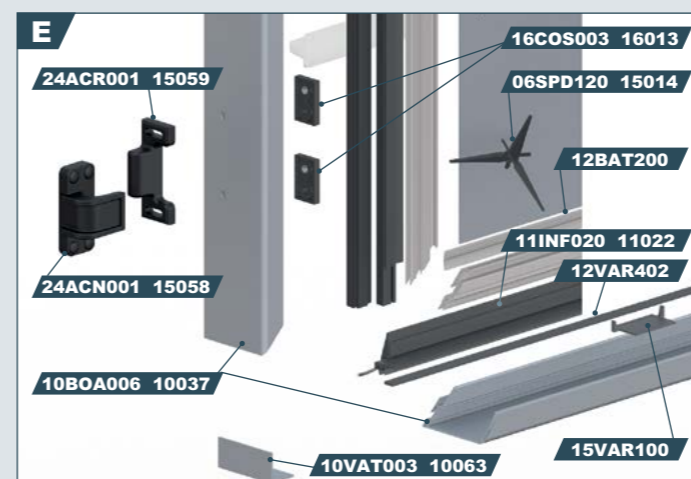
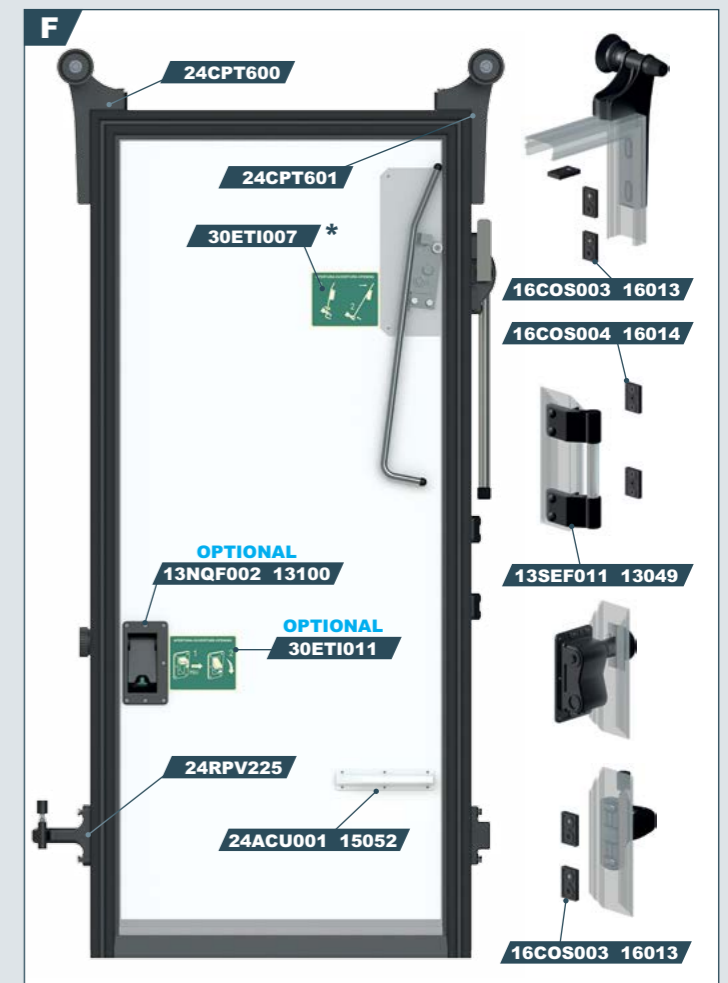
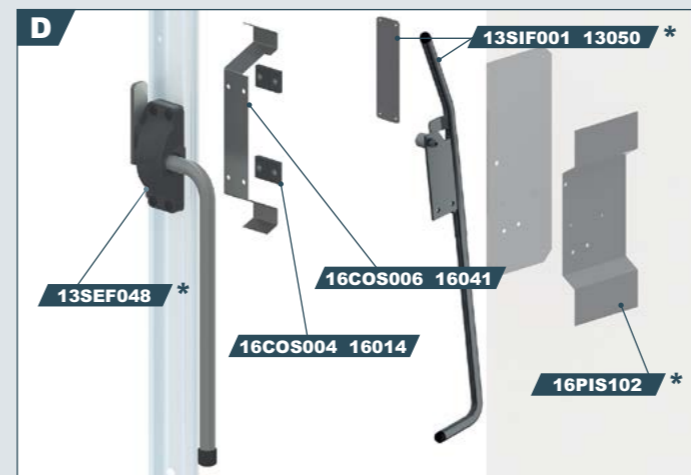
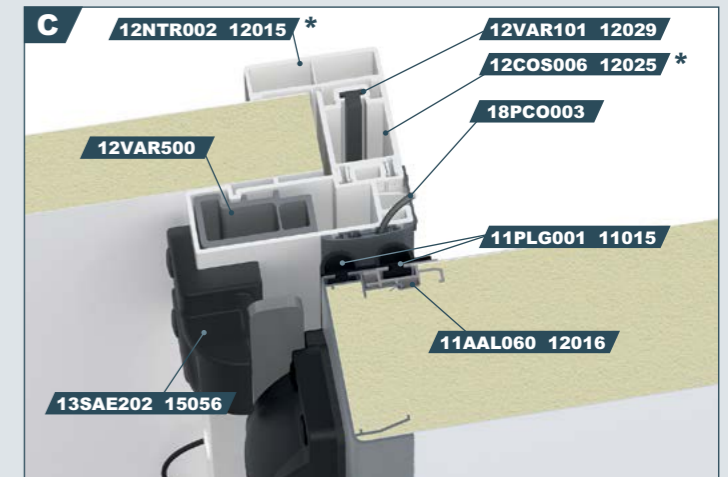
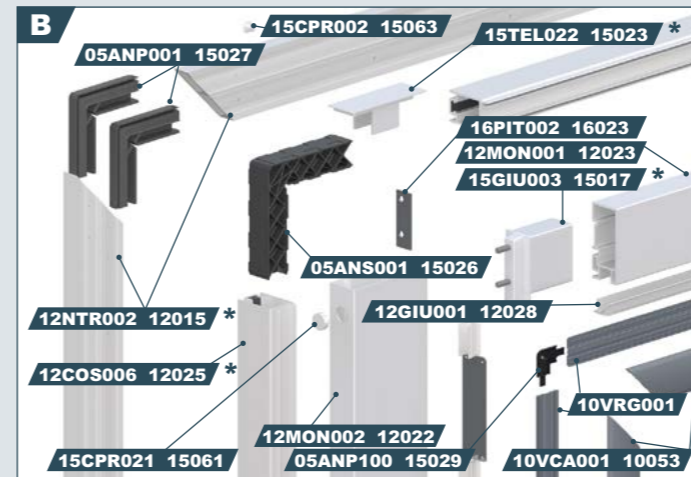
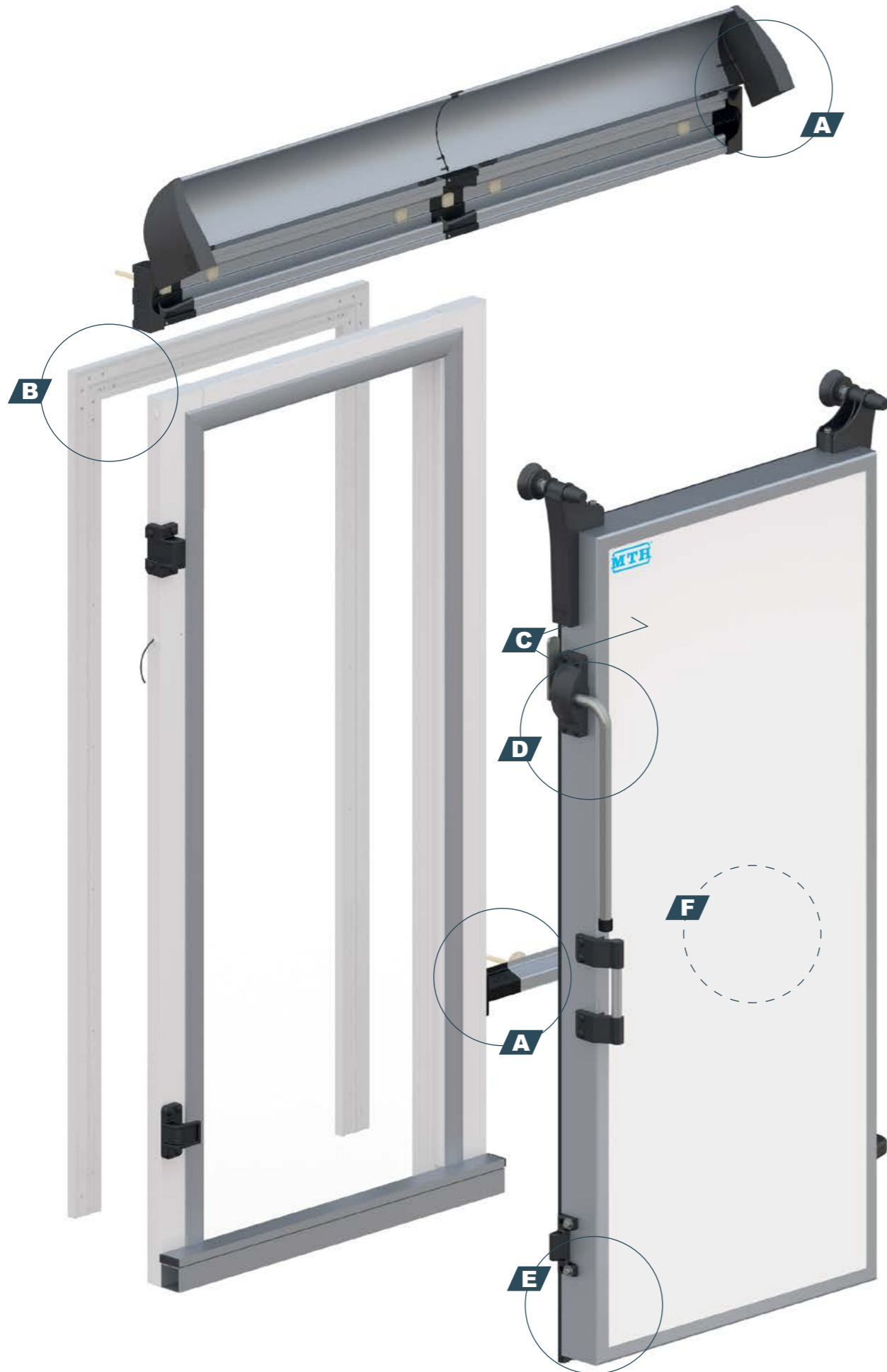




	CODE	DESCRIPTION	BOX	PAGE
BLADE	06SPD120 15014	PLASTIC STIFF SPACER FOR DOOR TO FOAM THK=121	E	100
	10BOA006 10037	ANODIZED ALUMINIUM BLADE EDGE PROFILE THK=121 FOR DOUBLE GASKET BAR L=6500	E	12
	10VAT003 10063	INTERNAL ANGULAR REINFORCEMENT FOR BLADE EDGE THK=121	E	100
	11AAL060 12016	ADDITIONAL GASKET SUPPORT PVC PROFILE GREY BAR L=6500	C	23
	11INF020 11022	LOWER GASKET FOR DOORS THK=92-151 L=4500	E	31
	11PLG001 11015	PERIMETRAL GASKET H=25 FOR DOOR THK=92-151	C	30
	12BAT200	GASKET SUPPORT COVERING PVC PROFILE GREY BAR L=6000	E	24
	12VAR402	FLAT PVC PROFILE FOR LOWER GASKET FIXING 15X5 BAR L=4000	E	24
	13NQF002 13100	REVERSIBLE LOCK "ART. 94" FOR SLIDING DOOR L=204	F	83
	13SEF011 13049	REVERSIBLE EXTERNAL FIXED HANDLE WITH STAINLESS STEEL TUBE COMPLETE WITH PLUGS	F	78
	13SEF048*	REVERSIBLE EXTERNAL LEVER HANDLE WITH LOGO MTH COMPLETE WITH PLUGS FOR SLIDING DOOR THK=92-151	D	80
	13SIF001* 13050	INTERNAL STAINLESS STEEL LEVER HANDLE FOR SLIDING DOOR WITH RIGHT OPENING COMPLETE WITH STRIKER	D	81
	15VAR100	FOAMING HOLE VALVE FOR DOORS=68-151	E	33
	16COS003 16013	PLASTIC FIXING PLATE 65X40X10 WITH GALVANIZED NUT 1XM10	E	107
	16COS004 16014	PLASTIC FIXING PLATE 60X40X8 WITH GALVANIZED NUTS 2XM8	D	106
	16COS006 16041	FIXING PLATE FOR INTERNAL LEVER HANDLE FOR SLIDING DOOR THK=92-151	D	108
	16PIS102*	FIXING PLATE WITH INSERTS FOR INTERNAL LEVER HANDLE FOR SLIDING DOOR RIGHT OPENING	D	108
	24ACU001 15052	NYLON WEDGE H=35 FOR SLIDING DOOR	F	82
	30ETI007*	FLUORESCENT PVC LABEL FOR INTERNAL LEVER HANDLE FOR DOOR WITH RIGHT OPENING	F	81
	30ETI011	FLUORESCENT PVC LABEL FOR LOCK "ART. 94"	F	83
FRAME	05ANP001 15027	PLASTIC ANGLE FOR COUNTERFRAME JOIN	B	103
	05ANP100 15029	PLASTIC ANGLE FOR HEATING CABLE SUPPORT JOIN	B	105
	05ANS001 15026	PLASTIC ANGLE FOR SIDE FRAME JOIN	B	102
	10VCA001 10053	ANODIZED ALUMINIUM HEATING CABLE SUPPORT COVERING PROFILE BAR L=6500	B	14
	10VRG001	ALUMINIUM HEATING CABLE SUPPORT PROFILE BAR L=6500	B	14
	12COS006* 12025	SIDE FRAME PVC PROFILE H=60 WHITE RAL9010 BAR L=5400	B	22
	12GIU001 12028	THERMAL BREAK PASSAGEWAY COVERING PVC PROFILE WHITE RAL9010 BAR L=4500	B	22
	12MON001 12023	PVC PROFILE FRAME 110 WHITE RAL9010 BAR L=5300	B	20
	12MON002 12022	PVC PROFILE FRAME 140 WHITE RAL9010 BAR L=5400	B	21
	12NTR002* 12015	COUNTERFRAME PVC PROFILE PERFORATED WITH PROTECTION WHITE RAL9010 BAR L=6500	B	23
	12VAR101 12029	PVC PROFILE FOR COUNTERFRAME TO SIDE FRAME CONNECTION BAR L=2000	C	23
	12VAR500	FRAME REINFORCEMENT PLASTIC PROFILE BAR L=4000	C	20
	13SAE202 15056	PLASTIC STRIKER FOR EXTERNAL LEVER HANDLE COMPLETE WITH PLUGS	C	81
	15CPR002 15063	PLUG Ø 11,5 WHITE	B	94
	15CPR021 15061	PLUG Ø 22 WHITE	B	95
	15GIU002 15016	RIGHT JOINT FOR FRAME 110 WITH GALVANIZED BOLT	-	102
	15GIU003* 15017	LEFT JOINT FOR FRAME 110 WITH GALVANIZED BOLT	B	102
	15TEL022* 15023	UPPER LEFT PLUG FOR FRAME 140	B	96
	15TEL023 15024	UPPER RIGHT PLUG FOR FRAME 140	-	96
	16PIT002 16023	GALVANIZED STEEL PLATE FOR FRAME 110 JOINT FIXING	B	102
18PCO003	HEATING CABLE COIL AT CONSTANT POWER 30W/230V Ø 4 SILICON-COATED WITH METAL BRAIDED SLEEVE L=250M	C	41	
SLIDING SYSTEM	10GUA001 10044	ANODIZED ALUMINIUM WALL SIDE GUIDE PROFILE FOR PANEL L=7000	A	17
	10PCA005	ANODIZED ALUMINIUM TRACK COVER PROFILE MODEL "MIRROR" L=6250	A	16
	10PMA001	ANODIZED ALUMINIUM TRACK PROFILE MODEL "MIRROR" BAR L=4950	A	16
	14PMR002	BLACK FLAT HINGE FOR "MIRROR" TRACK AND COVER FASTENING	A	49
	24ACN001 15058	LOWER CLOSING HOOK COMPLETE WITH PLUGS FOR SLIDING DOOR	E	79
	24ACR001 15059	LOWER CLOSING HOOK STRIKER FOR SLIDING DOOR	E	79
	24ACT602	OPENING SIDE END PLUG FOR "MIRROR" MODEL TRACK	A	60
	24ACT603	RIGHT ALUMINIUM TRACK COVER HEAD FOR "MIRROR" MODEL TRACK	A	59
	24ACT604	LEFT ALUMINIUM TRACK COVER HEAD FOR "MIRROR" MODEL TRACK	A	59
	24ACT605	ALUMINIUM CENTRAL JOINT COVER FOR "MIRROR" MODEL TRACK	A	59
	24BIN001	CLOSING BLOCK WITH BENDS AND PLUG FOR "MIRROR" MODEL TRACK	A	59
	24BIN002	CENTRAL BLOCK WITH BENDS AND PLUG FOR "MIRROR" MODEL TRACK	A	60
	24CPT600	UNIVERSAL RIGHT PLASTIC PULLEY WITH PA WHEEL AND GALVANIZED PIN L=155	F	55
	24CPT601	UNIVERSAL LEFT PLASTIC PULLEY WITH PA WHEEL AND GALVANIZED PIN L=155	F	55
	24FIS001 15049	PLASTIC WASHER Ø 12,5	A	106
	24RCS910*	REAR GUIDE FIXING BRACKET FOR RIGHT OPENING	A	63
	24RCT100 15072	REVERSIBLE REAR GUIDE PLUG	A	63
	24RPV225	REVERSIBLE PLASTIC REAR REGISTER 2.0, WITH PIN AND ADJUSTABLE ROLLER	F	62
	25TID012 15048	NUT FOR NYLON TENSION-ROD M12	A	106
	25TIN016* 15046	NYLON TENSION-ROD M12 L=160	A	105

* = Available in different versions (dimension / side / opening sense / material / feature)
 = Disponibile in diverse versioni (dimensione / lato / senso di apertura / materiale / caratteristica)

12ABC001 For more details click on the product code / Per maggiori dettagli clicca sul codice prodotto

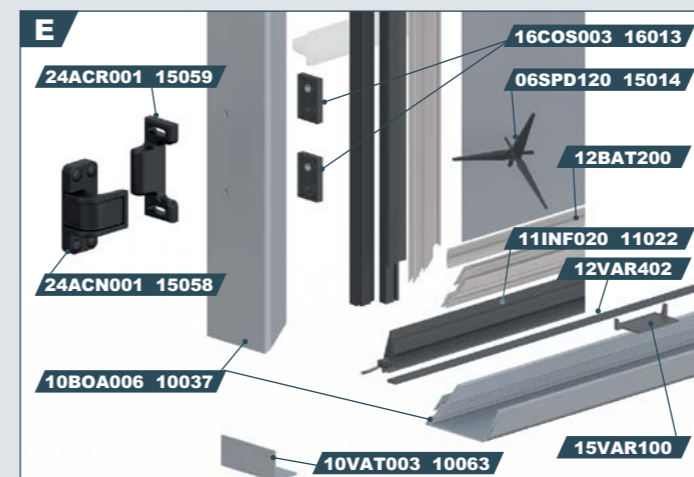
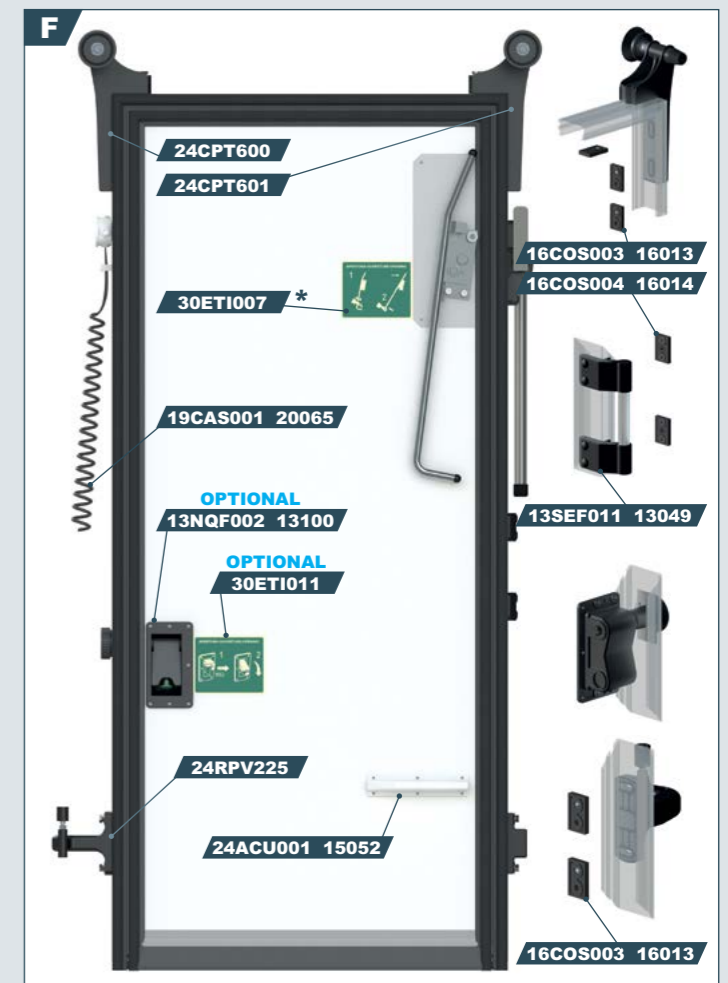
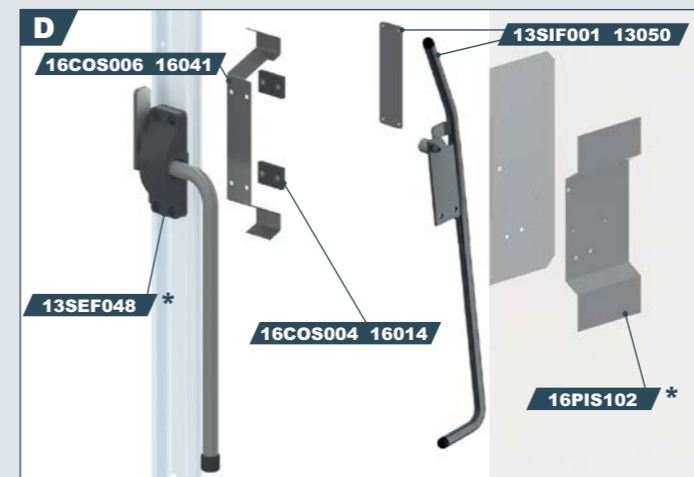
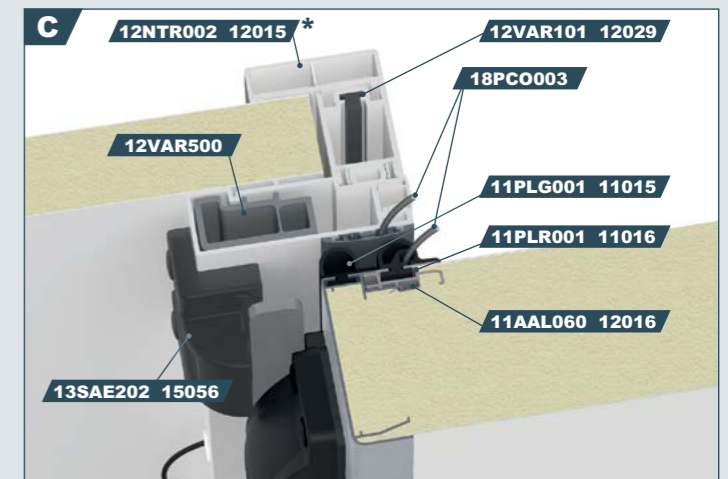
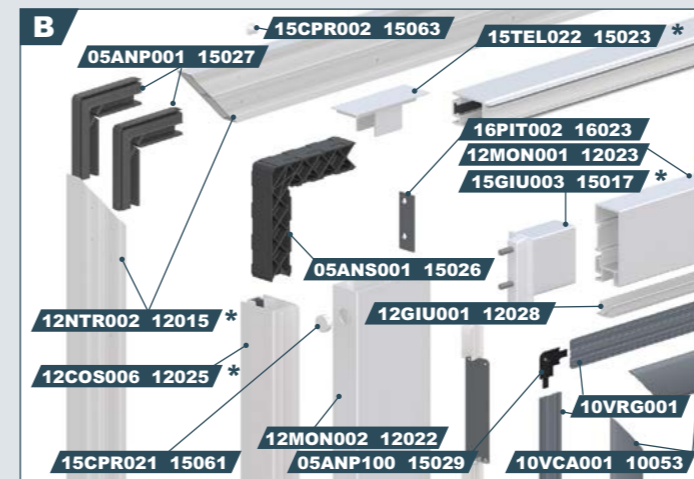




	CODE	DESCRIPTION	BOX	PAGE	
BLADE	06SPD120 15014	PLASTIC STIFF SPACER FOR DOOR TO FOAM THK=121	E	100	
	10BOA006 10037	ANODIZED ALUMINIUM BLADE EDGE PROFILE THK=121 FOR DOUBLE GASKET BAR L=6500	E	12	
	10VAT003 10063	INTERNAL ANGULAR REINFORCEMENT FOR BLADE EDGE THK=121	E	100	
	11AAL060 12016	ADDITIONAL GASKET SUPPORT PVC PROFILE GREY BAR L=6500	C	23	
	11INF020 11022	LOWER GASKET FOR DOORS THK=92-151 L=4500	E	31	
	11PLG001 11015	PERIMETRAL GASKET H=25 FOR DOOR THK=92-151	C	30	
	11PLR001 11016	PERIMETRAL GASKET H=25 WITH HEATING CABLE PASSAGE	C	30	
	12BAT200	GASKET SUPPORT COVERING PVC PROFILE GREY BAR L=6000	E	24	
	12VAR402	FLAT PVC PROFILE FOR LOWER GASKET FIXING 15X5 BAR L=4000	E	24	
	13NQF002 13100	REVERSIBLE LOCK "ART. 94" FOR SLIDING DOOR L=204	F	83	
	13SEF011 13049	REVERSIBLE EXTERNAL FIXED HANDLE WITH STAINLESS STEEL TUBE COMPLETE WITH PLUGS	F	78	
	13SEF048*	REVERSIBLE EXTERNAL LEVER HANDLE WITH LOGO MTH COMPLETE WITH PLUGS FOR SLIDING DOOR THK=92-151	D	80	
	13SIF001* 13050	INTERNAL STAINLESS STEEL LEVER HANDLE FOR SLIDING DOOR WITH RIGHT OPENING COMPLETE WITH STRIKER	D	81	
	15VAR100	FOAMING HOLE VALVE FOR DOORS=68-151	E	33	
	16COS003 16013	PLASTIC FIXING PLATE 65X40X10 WITH GALVANIZED NUT 1X10	E	107	
	16COS004 16014	PLASTIC FIXING PLATE 60X40X8 WITH GALVANIZED NUTS 2X8	D	106	
	16COS006 16041	FIXING PLATE FOR INTERNAL LEVER HANDLE FOR SLIDING DOOR THK=92-151	D	108	
	16PIS102*	FIXING PLATE WITH INSERTS FOR INTERNAL LEVER HANDLE FOR SLIDING DOOR RIGHT OPENING	D	108	
	18PCO003	HEATING CABLE COIL AT CONSTANT POWER 30W/230V Ø 4 SILICON-COATED WITH METAL BRAIDED SLEEVE L=250M	C	41	
	19CAS001 20065	SPIRAL CABLE BLACK 3 X 1,5 mm² EXTENSION L=5000	F	121	
	24ACU001 15052	NYLON WEDGE H=35 FOR SLIDING DOOR	F	82	
	30ETI007*	FLUORESCENT PVC LABEL FOR INTERNAL LEVER HANDLE FOR DOOR WITH RIGHT OPENING	F	81	
	30ETI011	FLUORESCENT PVC LABEL FOR LOCK "ART. 94"	F	83	
	FRAME	05ANP001 15027	PLASTIC ANGLE FOR COUNTERFRAME JOIN	B	103
		05ANP100 15029	PLASTIC ANGLE FOR HEATING CABLE SUPPORT JOIN	B	105
		05ANS001 15026	PLASTIC ANGLE FOR SIDE FRAME JOIN	B	102
		10VCA001 10053	ANODIZED ALUMINIUM HEATING CABLE SUPPORT COVERING PROFILE BAR L=6500	B	14
		10VRG001	ALUMINIUM HEATING CABLE SUPPORT PROFILE BAR L=6500	B	14
		12COS006* 12025	SIDE FRAME PVC PROFILE H=60 WHITE RAL9010 BAR L=5400	B	22
		12GIU001 12028	THERMAL BREAK PASSAGEWAY COVERING PVC PROFILE WHITE RAL9010 BAR L=4500	B	22
		12MON001 12023	PVC PROFILE FRAME 110 WHITE RAL9010 BAR L=5300	B	20
		12MON002 12022	PVC PROFILE FRAME 140 WHITE RAL9010 BAR L=5400	B	21
		12NTR002* 12015	COUNTERFRAME PVC PROFILE PERFORATED WITH PROTECTION WHITE RAL9010 BAR L=6500	B	23
12VAR101 12029		PVC PROFILE FOR COUNTERFRAME TO SIDE FRAME CONNECTION BAR L=2000	C	23	
12VAR500		FRAME REINFORCEMENT PLASTIC PROFILE BAR L=4000	C	20	
13SAE202 15056		PLASTIC STRIKER FOR EXTERNAL LEVER HANDLE COMPLETE WITH PLUGS	C	81	
15CPR002 15063		PLUG Ø 11,5 WHITE	B	94	
15CPR021 15061		PLUG Ø 22 WHITE	B	95	
15GIU002 15016		RIGHT JOINT FOR FRAME 110 WITH GALVANIZED BOLT	-	102	
15GIU003* 15017		LEFT JOINT FOR FRAME 110 WITH GALVANIZED BOLT	B	102	
15TEL022* 15023		UPPER LEFT PLUG FOR FRAME 140	B	96	
15TEL023 15024		UPPER RIGHT PLUG FOR FRAME 140	-	96	
16PIT002 16023		GALVANIZED STEEL PLATE FOR FRAME 110 JOINT FIXING	B	102	
18PCO003		HEATING CABLE COIL AT CONSTANT POWER 30W/230V Ø 4 SILICON-COATED WITH METAL BRAIDED SLEEVE L=250M	C	41	
SLIDING SYSTEM		10GUA001 10044	ANODIZED ALUMINIUM WALL SIDE GUIDE PROFILE FOR PANEL L=7000	A	17
		10PCA005	ANODIZED ALUMINIUM TRACK COVER PROFILE MODEL "MIRROR" L=6250	A	16
		10PMA001	ANODIZED ALUMINIUM TRACK PROFILE MODEL "MIRROR" BAR L=4950	A	16
		14PMR002	BLACK FLAT HINGE FOR "MIRROR" TRACK AND COVER FASTENING	A	49
		24ACN001 15058	LOWER CLOSING HOOK COMPLETE WITH PLUGS FOR SLIDING DOOR	E	79
	24ACR001 15059	LOWER CLOSING HOOK STRIKER FOR SLIDING DOOR	E	79	
	24ACT602	OPENING SIDE END PLUG FOR "MIRROR" MODEL TRACK	A	60	
	24ACT603	RIGHT ALUMINIUM TRACK COVER HEAD FOR "MIRROR" MODEL TRACK	A	59	
	24ACT604	LEFT ALUMINIUM TRACK COVER HEAD FOR "MIRROR" MODEL TRACK	A	59	
	24ACT605	ALUMINIUM CENTRAL JOINT COVER FOR "MIRROR" MODEL TRACK	A	59	
	24BIN001	CLOSING BLOCK WITH BENDS AND PLUG FOR "MIRROR" MODEL TRACK	A	59	
	24BIN002	CENTRAL BLOCK WITH BENDS AND PLUG FOR "MIRROR" MODEL TRACK	A	60	
	24CPT600	UNIVERSAL RIGHT PLASTIC PULLEY WITH PA WHEEL AND GALVANIZED PIN L=155	F	55	
	24CPT601	UNIVERSAL LEFT PLASTIC PULLEY WITH PA WHEEL AND GALVANIZED PIN L=155	F	55	
	24FIS001 15049	PLASTIC WASHER Ø 12,5	A	106	
	24RCS910*	REAR GUIDE FIXING BRACKET FOR RIGHT OPENING	A	63	
	24RCT100 15072	REVERSIBLE REAR GUIDE PLUG	A	63	
	24RPV225	REVERSIBLE PLASTIC REAR REGISTER 2.0, WITH PIN AND ADJUSTABLE ROLLER	F	62	
	25TID012 15048	NUT FOR NYLON TENSION-ROD M12	A	106	
	25TIN016* 15046	NYLON TENSION-ROD M12 L=160	A	105	

* = Available in different versions (dimension / side / opening sense / material / feature)
 = Disponibile in diverse versioni (dimensione / lato / senso di apertura / materiale / caratteristica)

12ABC001 For more details click on the product code / Per maggiori dettagli clicca sul codice prodotto

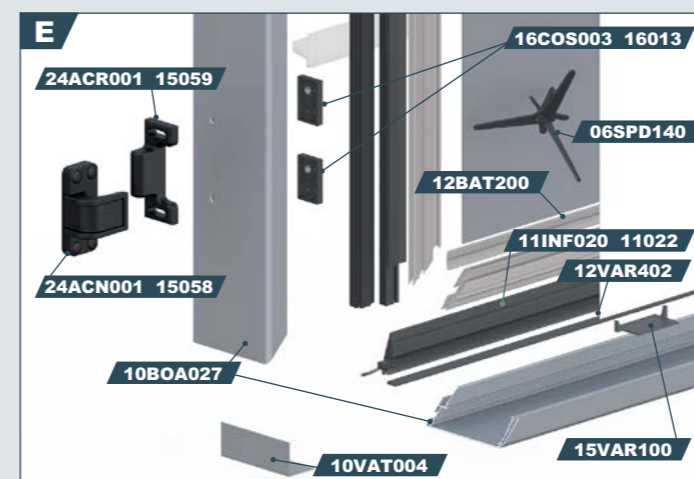
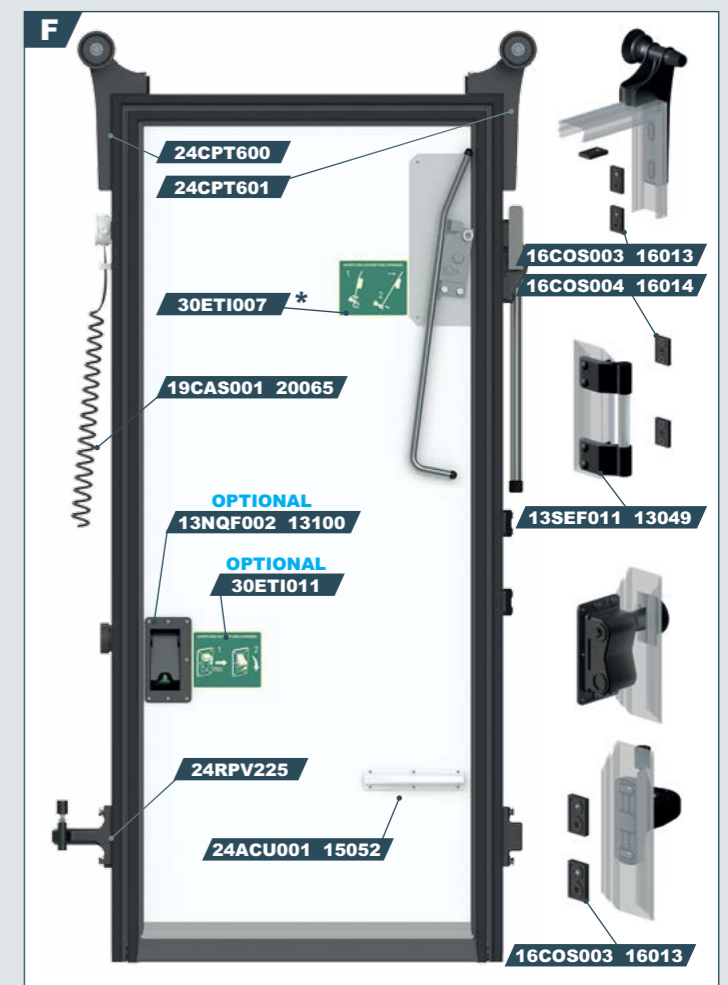
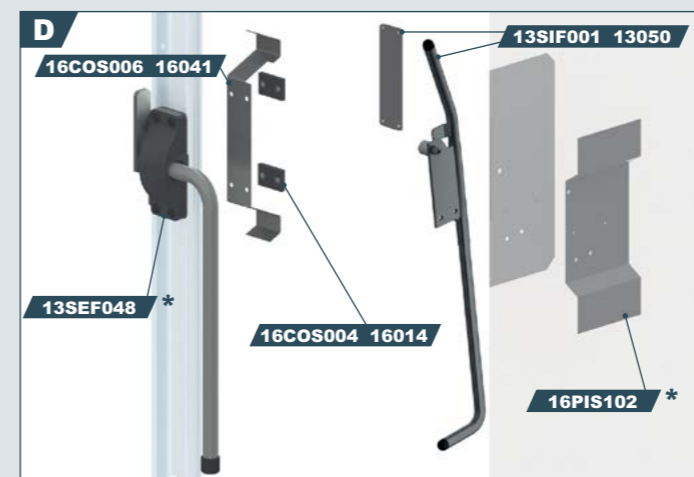
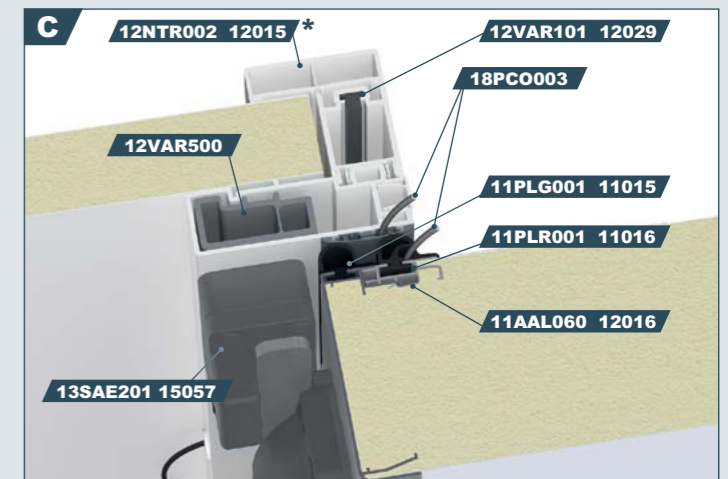
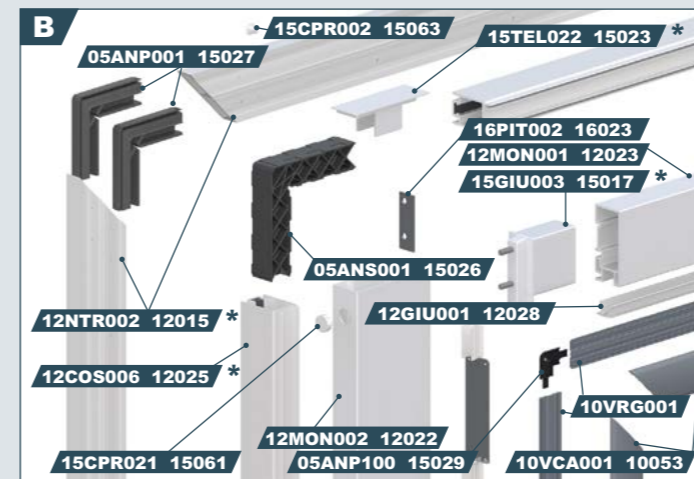
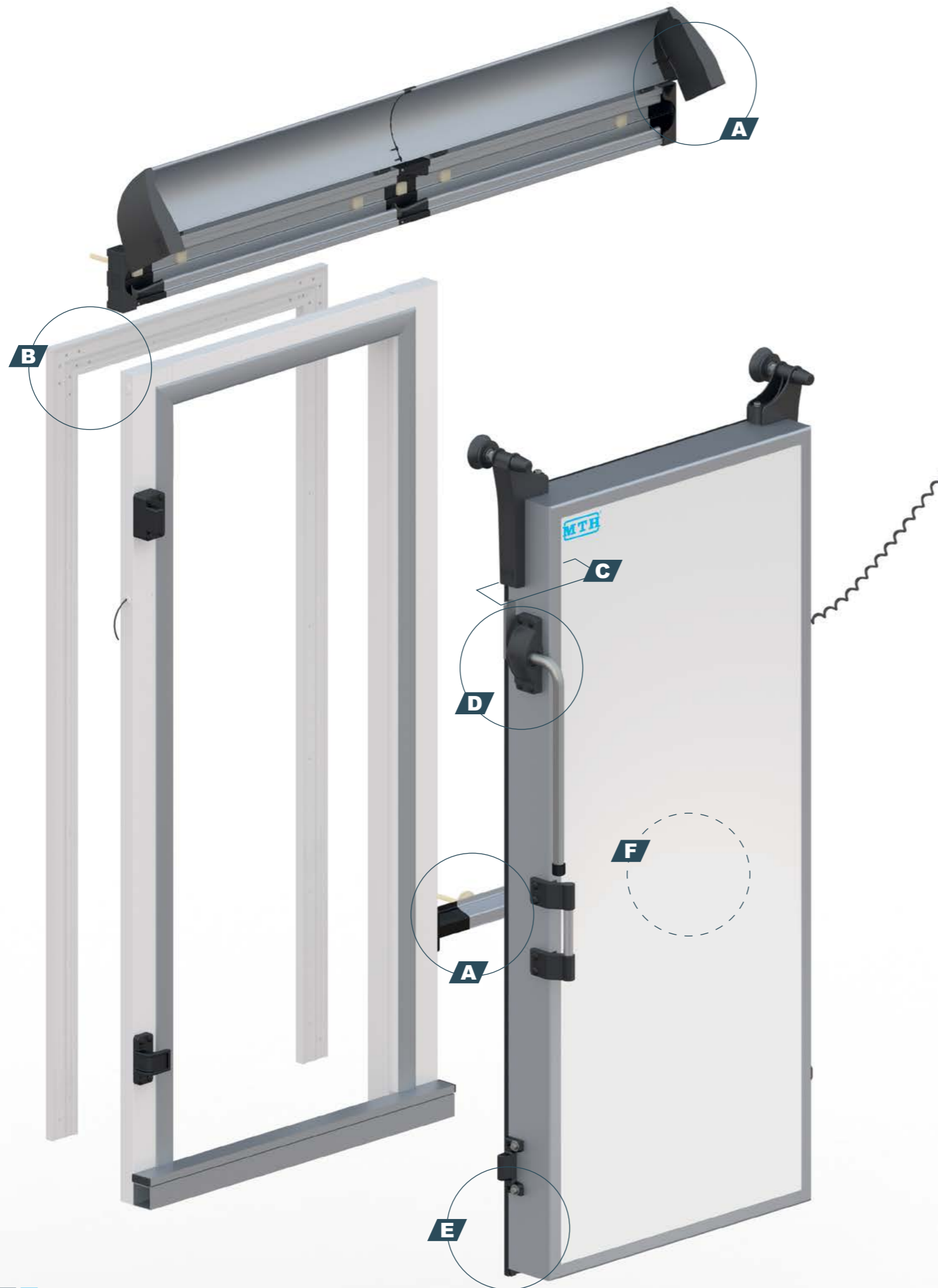




	CODE	DESCRIPTION	BOX	PAGE	
BLADE	06SPD140	PLASTIC STIFF SPACER FOR DOOR TO FOAM THK=151	E	100	
	10BOA027	ANODIZED ALUMINIUM BLADE EDGE PROFILE THK=151 BAR L=4200	E	12	
	10VAT004	INTERNAL ANGULAR REINFORCEMENT FOR BLADE EDGE THK=151	E	100	
	11AAL060 12016	ADDITIONAL GASKET SUPPORT PVC PROFILE GREY BAR L=6500	C	23	
	11INF020 11022	LOWER GASKET FOR DOORS THK=92-151 L=4500	E	31	
	11PLG001 11015	PERIMETRAL GASKET H=25 FOR DOOR THK=92-151	C	30	
	11PLR001 11016	PERIMETRAL GASKET H=25 WITH HEATING CABLE PASSAGE	C	30	
	12BAT200	GASKET SUPPORT COVERING PVC PROFILE GREY BAR L=6000	E	24	
	12VAR402	FLAT PVC PROFILE FOR LOWER GASKET FIXING 15X5 BAR L=4000	E	24	
	13NQF002 13100	REVERSIBLE LOCK "ART. 94" FOR SLIDING DOOR L=204	F	83	
	13SEF011 13049	REVERSIBLE EXTERNAL FIXED HANDLE WITH STAINLESS STEEL TUBE COMPLETE WITH PLUGS	F	78	
	13SEF048*	REVERSIBLE EXTERNAL LEVER HANDLE WITH LOGO MTH COMPLETE WITH PLUGS FOR SLIDING DOOR THK=92-151	D	80	
	13SIF001* 13050	INTERNAL STAINLESS STEEL LEVER HANDLE FOR SLIDING DOOR WITH RIGHT OPENING COMPLETE WITH STRIKER	D	81	
	15VAR100	FOAMING HOLE VALVE FOR DOORS=68-151	E	33	
	16COS003 16013	PLASTIC FIXING PLATE 65X40X10 WITH GALVANIZED NUT 1X10	E	107	
	16COS004 16014	PLASTIC FIXING PLATE 60X40X8 WITH GALVANIZED NUTS 2X8	D	106	
	16COS006 16041	FIXING PLATE FOR INTERNAL LEVER HANDLE FOR SLIDING DOOR THK=92-151	D	108	
	16PIS102*	FIXING PLATE WITH INSERTS FOR INTERNAL LEVER HANDLE FOR SLIDING DOOR RIGHT OPENING	D	108	
	18PCO003	HEATING CABLE COIL AT CONSTANT POWER 30W/230V Ø 4 SILICON-COATED WITH METAL BRAIDED SLEEVE L=250M	C	41	
	19CAS001 20065	SPIRAL CABLE BLACK 3 X 1,5 mm² EXTENSION L=5000	F	121	
	24ACU001 15052	NYLON WEDGE H=35 FOR SLIDING DOOR	F	82	
	30ETI007*	FLUORESCENT PVC LABEL FOR INTERNAL LEVER HANDLE FOR DOOR WITH RIGHT OPENING	F	81	
	30ETI011	FLUORESCENT PVC LABEL FOR LOCK "ART. 94"	F	83	
	FRAME	05ANP001 15027	PLASTIC ANGLE FOR COUNTERFRAME JOIN	B	103
		05ANP100 15029	PLASTIC ANGLE FOR HEATING CABLE SUPPORT JOIN	B	105
		05ANS001 15026	PLASTIC ANGLE FOR SIDE FRAME JOIN	B	102
		10VCA001 10053	ANODIZED ALUMINIUM HEATING CABLE SUPPORT COVERING PROFILE BAR L=6500	B	14
		10VRG001	ALUMINIUM HEATING CABLE SUPPORT PROFILE BAR L=6500	B	14
		12COS006* 12025	SIDE FRAME PVC PROFILE H=60 WHITE RAL9010 BAR L=5400	B	22
		12GIU001 12028	THERMAL BREAK PASSAGEWAY COVERING PVC PROFILE WHITE RAL9010 BAR L=4500	B	22
		12MON001 12023	PVC PROFILE FRAME 110 WHITE RAL9010 BAR L=5300	B	20
		12MON002 12022	PVC PROFILE FRAME 140 WHITE RAL9010 BAR L=5400	B	21
		12NTR002* 12015	COUNTERFRAME PVC PROFILE PERFORATED WITH PROTECTION WHITE RAL9010 BAR L=6500	B	23
		12VAR101 12029	PVC PROFILE FOR COUNTERFRAME TO SIDE FRAME CONNECTION BAR L=2000	C	23
12VAR500		FRAME REINFORCEMENT PLASTIC PROFILE BAR L=4000	C	20	
13SAE201 15057		PLASTIC STRIKER FOR EXTERNAL LEVER HANDLE COMPLETE WITH PLUGS	C	80	
15CPR002 15063		PLUG Ø 11,5 WHITE	B	94	
15CPR021 15061		PLUG Ø 22 WHITE	B	95	
15GIU002 15016		RIGHT JOINT FOR FRAME 110 WITH GALVANIZED BOLT	-	102	
15GIU003* 15017		LEFT JOINT FOR FRAME 110 WITH GALVANIZED BOLT	B	102	
15TEL022* 15023		UPPER LEFT PLUG FOR FRAME 140	B	96	
15TEL023 15024		UPPER RIGHT PLUG FOR FRAME 140	-	96	
16PIT002 16023		GALVANIZED STEEL PLATE FOR FRAME 110 JOINT FIXING	B	102	
18PCO003		HEATING CABLE COIL AT CONSTANT POWER 30W/230V Ø 4 SILICON-COATED WITH METAL BRAIDED SLEEVE L=250M	C	41	
SLIDING SYSTEM		10GUA001 10044	ANODIZED ALUMINIUM WALL SIDE GUIDE PROFILE FOR PANEL L=7000	A	17
		10PCA005	ANODIZED ALUMINIUM TRACK COVER PROFILE MODEL "MIRROR" L=6250	A	16
		10PMA001	ANODIZED ALUMINIUM TRACK PROFILE MODEL "MIRROR" BAR L=4950	A	16
		14PMR002	BLACK FLAT HINGE FOR "MIRROR" TRACK AND COVER FASTENING	A	49
		24ACN001 15058	LOWER CLOSING HOOK COMPLETE WITH PLUGS FOR SLIDING DOOR	E	79
		24ACR001 15059	LOWER CLOSING HOOK STRIKER FOR SLIDING DOOR	E	79
		24ACT602	OPENING SIDE END PLUG FOR "MIRROR" MODEL TRACK	A	60
		24ACT603	RIGHT ALUMINIUM TRACK COVER HEAD FOR "MIRROR" MODEL TRACK	A	59
		24ACT604	LEFT ALUMINIUM TRACK COVER HEAD FOR "MIRROR" MODEL TRACK	A	59
		24ACT605	ALUMINIUM CENTRAL JOINT COVER FOR "MIRROR" MODEL TRACK	A	59
		24BIN001	CLOSING BLOCK WITH BENDS AND PLUG FOR "MIRROR" MODEL TRACK	A	59
		24BIN002	CENTRAL BLOCK WITH BENDS AND PLUG FOR "MIRROR" MODEL TRACK	A	60
		24CPT600	UNIVERSAL RIGHT PLASTIC PULLEY WITH PA WHEEL AND GALVANIZED PIN L=155	F	55
	24CPT601	UNIVERSAL LEFT PLASTIC PULLEY WITH PA WHEEL AND GALVANIZED PIN L=155	F	55	
	24FIS001 15049	PLASTIC WASHER Ø 12,5	A	106	
	24RCS910*	REAR GUIDE FIXING BRACKET FOR RIGHT OPENING	A	63	
	24RCT100 15072	REVERSIBLE REAR GUIDE PLUG	A	63	
	24RPV225	REVERSIBLE PLASTIC REAR REGISTER 2.0, WITH PIN AND ADJUSTABLE ROLLER	F	62	
	25TID012 15048	NUT FOR NYLON TENSION-ROD M12	A	106	
	25TIN016* 15046	NYLON TENSION-ROD M12 L=160	A	105	

* = Available in different versions (dimension / side / opening sense / material / feature)
 = Disponibile in diverse versioni (dimensione / lato / senso di apertura / materiale / caratteristica)

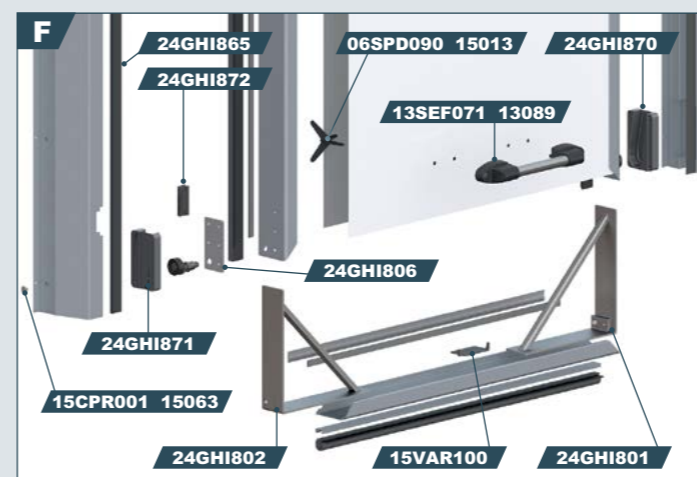
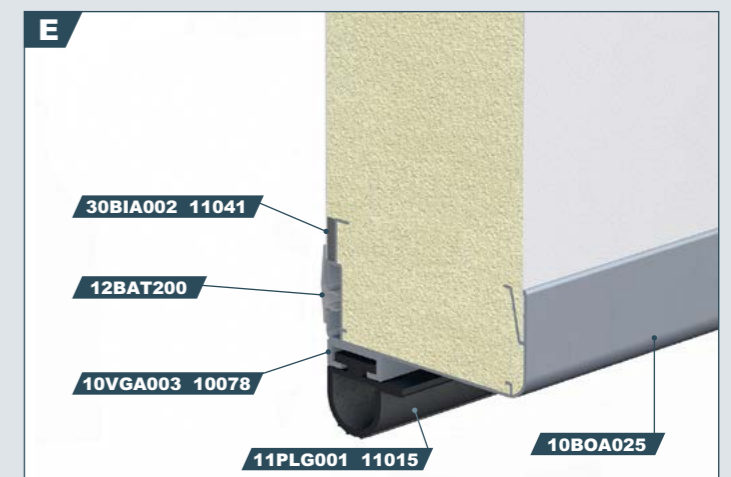
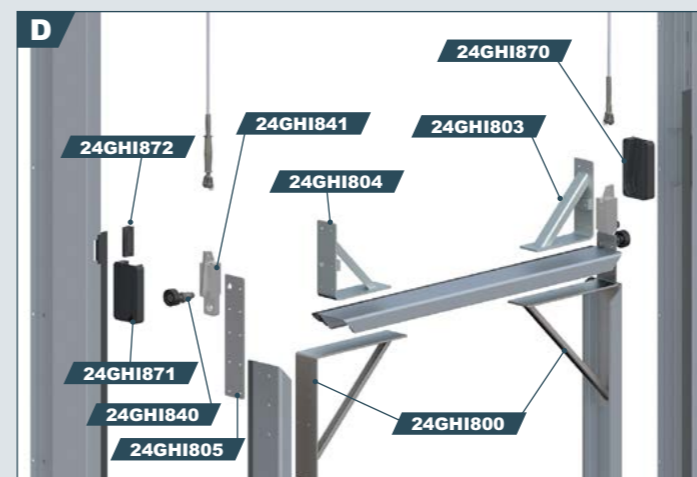
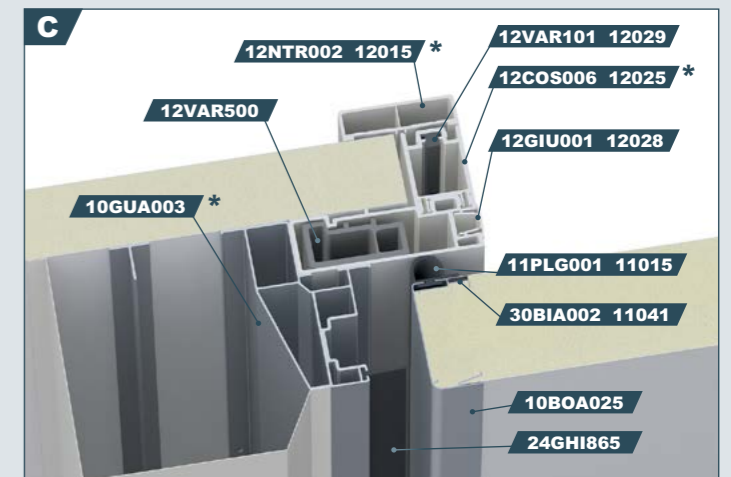
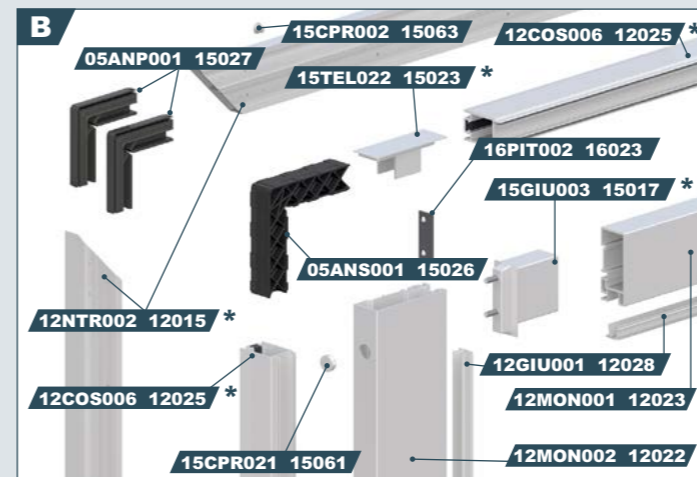
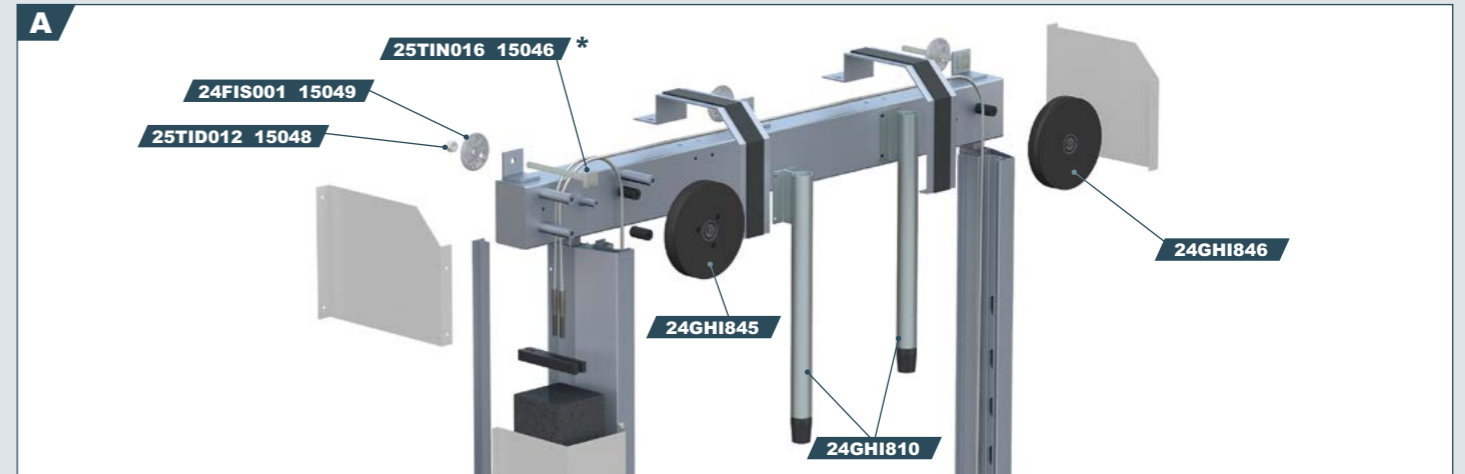
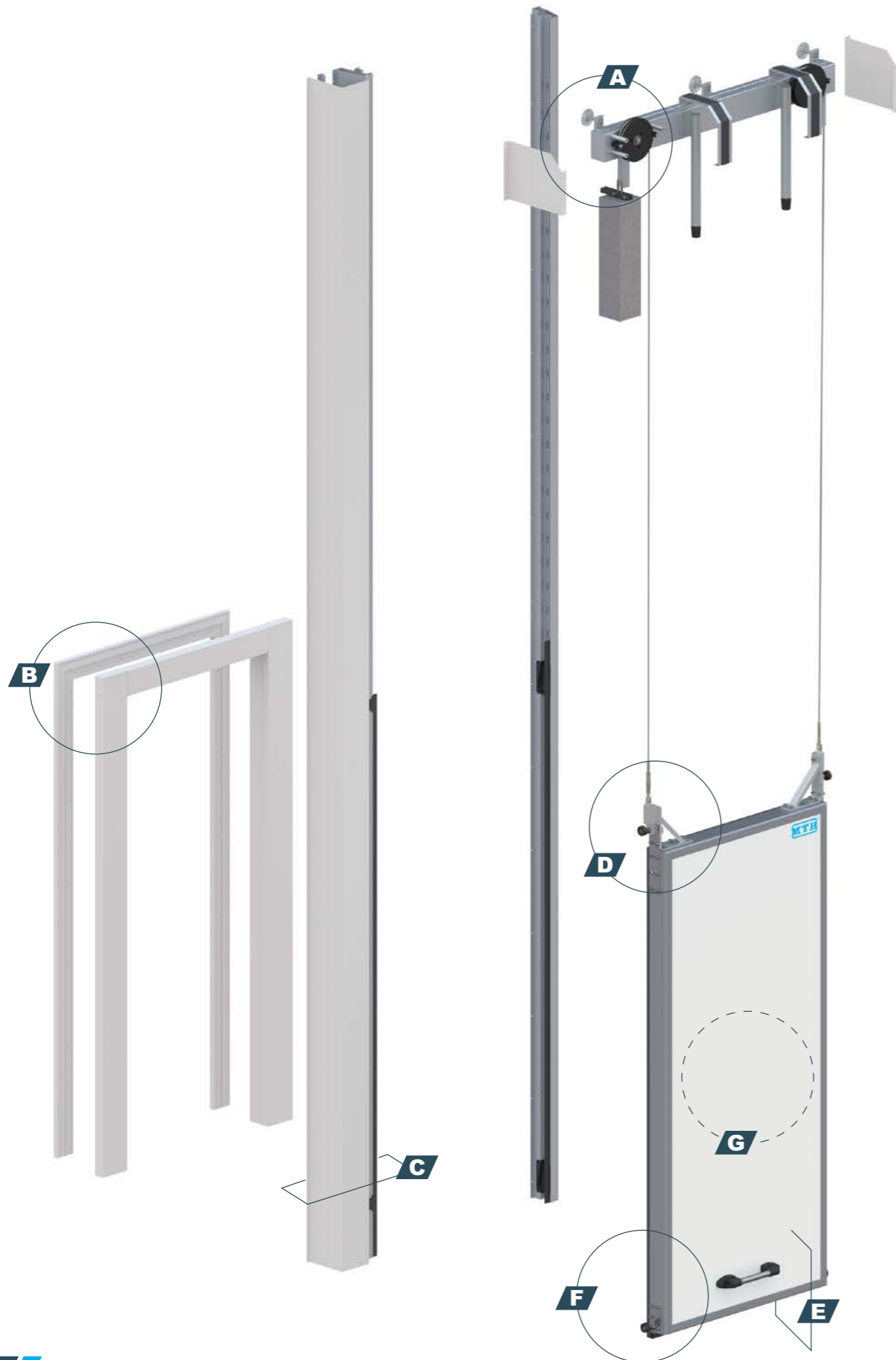
12ABC001 For more details click on the product code / Per maggiori dettagli clicca sul codice prodotto





	CODE	DESCRIPTION	BOX	PAGE
BLADE	06SPD090 15013	PLASTIC STIFF SPACER FOR DOOR TO FOAM THK=92	F	100
	10BOA025	ANODIZED ALUMINIUM BLADE EDGE PROFILE THK=92 ANODIZED BAR L=6250	C	11
	10VGA003 10078	ANODIZED ALUMINIUM GASKET-HOLDER PROFILE SIDE 25 BAR L=6000	E	13
	11PLG001 11015	PERIMETRAL GASKET H=25 FOR DOOR THK=92-151	C	30
	12BAT200	GASKET SUPPORT COVERING PVC PROFILE GREY BAR L=6000	E	24
	13SEF071 13089	EXTERNAL FIXED HANDLE ON THE FRONT WITH STAINLESS STEEL TUBE COMPLETE WITH PLUGS	F	82
	13SIF301 13045	INTERNAL PLASTIC DEEP-SET HANDLE	G	78
	15VAR100	FOAMING HOLE VALVE FOR DOORS=68-151	F	33
	24GHI800	REVERSIBLE INTERNAL REINFORCEMENT BRACKET FOR VERTICAL SLIDING DOOR UPPER CORNER	D	109
	24GHI801	INTERNAL REINFORCEMENT BRACKET FOR VERTICAL SLIDING DOOR RIGHT LOWER CORNER	F	109
	24GHI802	INTERNAL REINFORCEMENT BRACKET FOR VERTICAL SLIDING DOOR LEFT LOWER CORNER	F	109
	30BIA002 11041	SPONGE TAPE BI-ADHESIVE LONG SIDE 15X4	C	36
	30ETI010	FLUORESCENT PVC LABEL FOR FIXED HANDLE FOR VERTICAL SLIDING DOOR	G	83
FRAME	05ANP001 15027	PLASTIC ANGLE FOR COUNTERFRAME JOIN	B	103
	05ANS001 15026	PLASTIC ANGLE FOR SIDE FRAME JOIN	B	102
	12COS006* 12025	SIDE FRAME PVC PROFILE H=60 WHITE RAL9010 BAR L=5400	B	22
	12GIU001 12028	THERMAL BREAK PASSAGEWAY COVERING PVC PROFILE WHITE RAL9010 BAR L=4500	B	22
	12MON001 12023	PVC PROFILE FRAME 110 WHITE RAL9010 BAR L=5300	B	20
	12MON002 12022	PVC PROFILE FRAME 140 WHITE RAL9010 BAR L=5400	B	21
	12NTR002* 12015	COUNTERFRAME PVC PROFILE PERFORATED WITH PROTECTION WHITE RAL9010 BAR L=6500	B	23
	12VAR101 12029	PVC PROFILE FOR COUNTEFRAME TO SIDE FRAME CONNECTION BAR L=2000	C	23
	12VAR500	FRAME REINFORCEMENT PLASTIC PROFILE BAR L=4000	C	20
	15CPR002 15063	PLUG Ø 11,5 WHITE	B	94
	15CPR021 15061	PLUG Ø 22 WHITE	B	95
	15GIU002 15016	RIGHT JOINT FOR FRAME 110 WITH GALVANIZED BOLT	-	102
	15GIU003* 15017	LEFT JOINT FOR FRAME 110 WITH GALVANIZED BOLT	B	102
	15TEL022* 15023	UPPER LEFT PLUG FOR FRAME 140	B	96
	15TEL023 15024	UPPER RIGHT PLUG FOR FRAME 140	-	96
	16PIT002 16023	GALVANIZED STEEL PLATE FOR FRAME 110 JOINT FIXING	B	102
	SLIDING SYSTEM	10GUA003*	ANODIZED ALUMINIUM GUIDE PROFILE FOR VERTICAL SLIDING DOOR BAR L=4600	C
15CPR001 15063		PLUG Ø 11,5 GREY RAL7004	F	94
24FIS001 15049		PLASTIC WASHER Ø 12,5	A	106
24GHI803		EXTERNAL REINFORCEMENT BRACKET FOR VERTICAL SLIDING DOOR RIGHT UPPER REGISTER	D	110
24GHI804		EXTERNAL REINFORCEMENT BRACKET FOR VERTICAL SLIDING DOOR LEFT UPPER REGISTER	D	110
24GHI805		SUPPORT PLATE FOR VERTICAL SLIDING DOOR UPPER REGISTER	D	110
24GHI806		SUPPORT PLATE FOR VERTICAL SLIDING DOOR LOWER REGISTER	F	110
24GHI810		COMPLETE OPENING LIMIT STOP FOR VERTICAL SLIDING DOOR	A	65
24GHI840		FULL REGISTER FOR SLIDING VERTICAL DOOR	D	65
24GHI841		ANTI-FALL DEVICE FOR VERTICAL SLIDING DOOR	D	65
24GHI845		ENGINE SHEAVE WITH BEARING FOR VERTICAL SLIDING DOOR	A	64
24GHI846		CONDUCTING SHEAVE WITH BEARING FOR VERTICAL SLIDING DOOR	A	64
24GHI865		GASKET FOR VERTICAL SLIDING GUIDE	C	33
24GHI870		RIGHT BEND FOR VERTICAL SLIDING GUIDE	D	64
24GHI871		LEFT BEND FOR VERTICAL SLIDING GUIDE	D	64
24GHI872		PLUG FOR VERTICAL SLIDING GUIDE	D	65
25TID012 15048		NUT FOR NYLON TENSION-ROD M12	A	106
25TIN016* 15046		NYLON TENSION-ROD M12 L=160	A	105

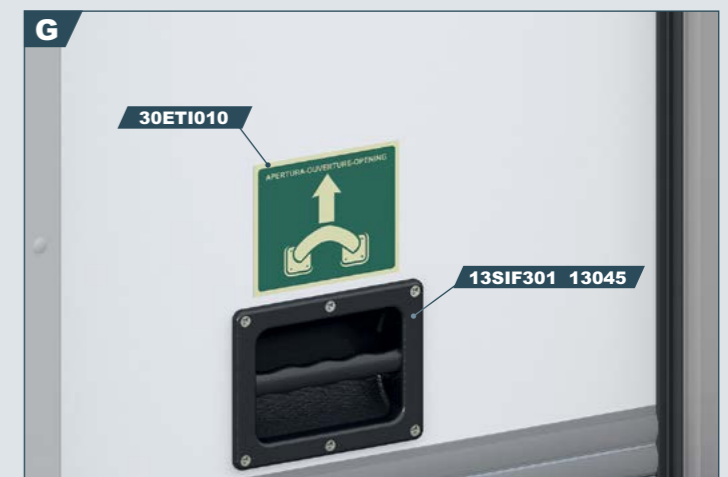
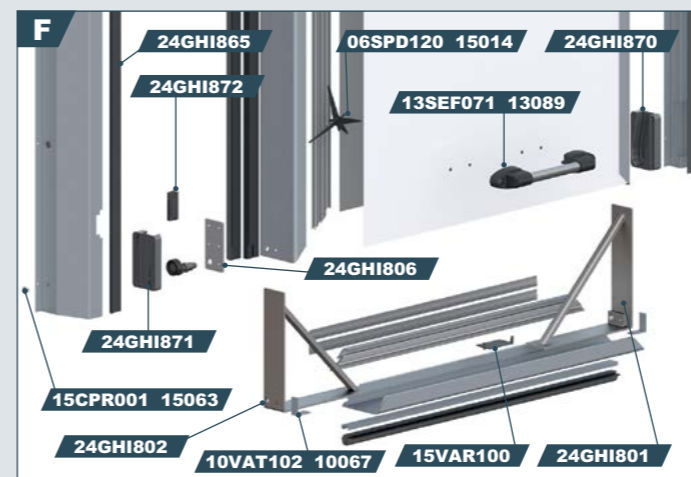
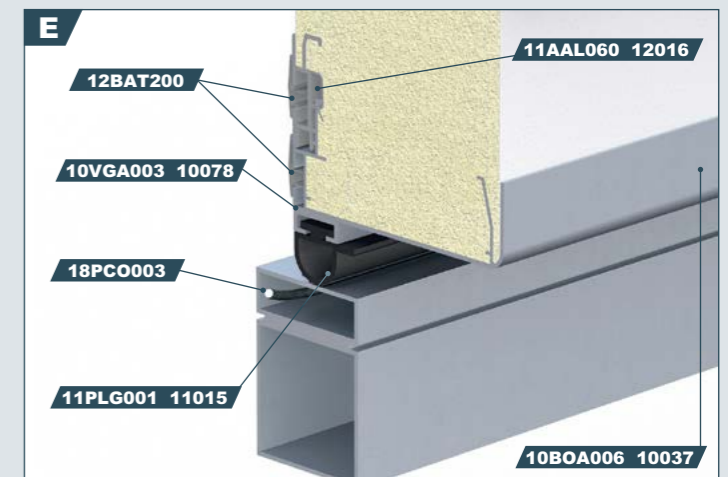
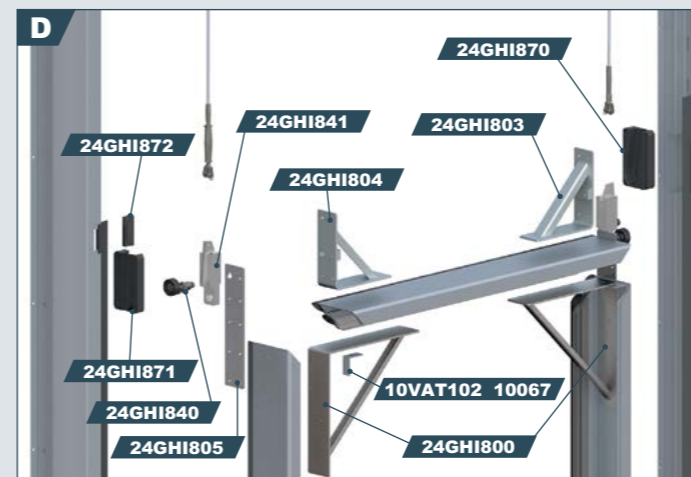
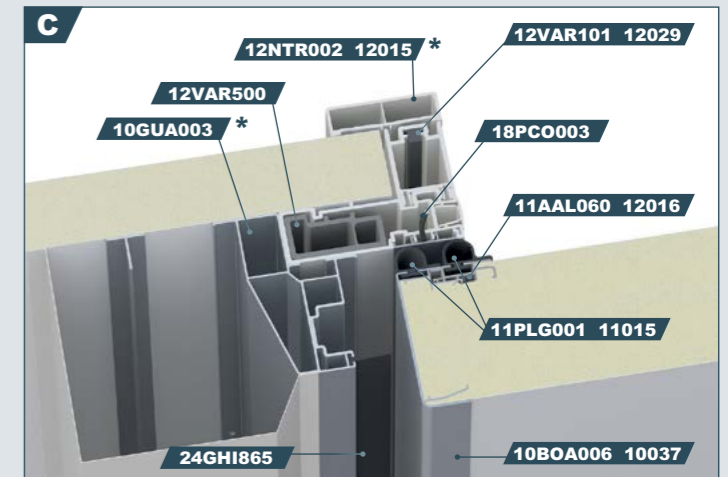
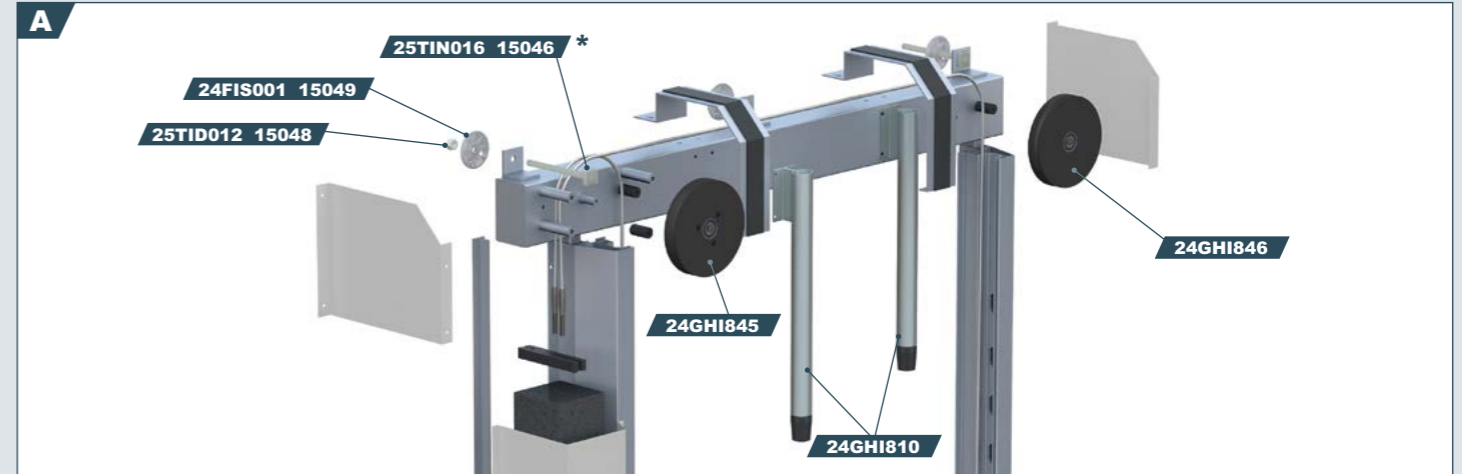
* = Available in different versions (dimension / side / opening sense / material / feature)
 = Disponibile in diverse versioni (dimensione / lato / senso di apertura / materiale / caratteristica)





	CODE	DESCRIPTION	BOX	PAGE
BLADE	06SPD120 15014	PLASTIC STIFF SPACER FOR DOOR TO FOAM THK=121	F	100
	10BOA006 10037	ANODIZED ALUMINIUM BLADE EDGE PROFILE THK=121 FOR DOUBLE GASKET BAR L=6500	C	12
	10VAT102 10067	INTERNAL ANGULAR REINFORCEMENT FOR BLADE EDGE 540 TN	F	100
	10VGA003 10078	ANODIZED ALUMINIUM GASKET-HOLDER PROFILE SIDE 25 BAR L=6000	E	13
	11AAL060 12016	ADDITIONAL GASKET SUPPORT PVC PROFILE GREY BAR L=6500	C	23
	11PLG001 11015	PERIMETRAL GASKET H=25 FOR DOOR THK=92-151	C	30
	12BAT200	GASKET SUPPORT COVERING PVC PROFILE GREY BAR L=6000	E	24
	13SEF071 13089	EXTERNAL FIXED HANDLE ON THE FRONT WITH STAINLESS STEEL TUBE COMPLETE WITH PLUGS	F	82
	13SIF301 13045	INTERNAL PLASTIC DEEP-SET HANDLE	G	78
	15VAR100	FOAMING HOLE VALVE FOR DOORS=68-151	F	33
	24GHI800	REVERSIBLE INTERNAL REINFORCEMENT BRACKET FOR VERTICAL SLIDING DOOR UPPER CORNER	D	109
	24GHI801	INTERNAL REINFORCEMENT BRACKET FOR VERTICAL SLIDING DOOR RIGHT LOWER CORNER	F	109
	24GHI802	INTERNAL REINFORCEMENT BRACKET FOR VERTICAL SLIDING DOOR LEFT LOWER CORNER	F	109
	30ETI010	FLUORESCENT PVC LABEL FOR FIXED HANDLE FOR VERTICAL SLIDING DOOR	G	83
FRAME	05ANP001 15027	PLASTIC ANGLE FOR COUNTERFRAME JOIN	B	103
	10VCA003 10084	ANODIZED ALUMINIUM FRAME HEATING CABLE PASSAGEWAY COVERING PROFILE 140 BAR L=6500	B	14
	12COS006* 12025	SIDE FRAME PVC PROFILE H=60 WHITE RAL9010 BAR L=5400	B	22
	12GIU001 12028	THERMAL BREAK PASSAGEWAY COVERING PVC PROFILE WHITE RAL9010 BAR L=4500	B	22
	12MON013	PVC PROFILE FRAME 140 WITH HEATING CABLE PASSAGEWAY WHITE RAL9010 BAR L=5300	B	21
	12NTR002* 12015	COUNTERFRAME PVC PROFILE PERFORATED WITH PROTECTION WHITE RAL9010 BAR L=6500	B	23
	12VAR101 12029	PVC PROFILE FOR COUNTERFRAME TO SIDE FRAME CONNECTION BAR L=2000	C	23
	12VAR500	FRAME REINFORCEMENT PLASTIC PROFILE BAR L=4000	C	20
	15CPR002 15063	PLUG Ø 11,5 WHITE	B	94
	18PCO003	HEATING CABLE COIL AT CONSTANT POWER 30W/230V Ø 4 SILICON-COATED WITH METAL BRAIDED SLEEVE L=250M	C	41
	SLIDING SYSTEM	10GUA003*	ANODIZED ALUMINIUM GUIDE PROFILE FOR VERTICAL SLIDING DOOR BAR L=4600	C
15CPR001 15063		PLUG Ø 11,5 GREY RAL7004	F	94
24FIS001 15049		PLASTIC WASHER Ø 12,5	A	106
24GHI803		EXTERNAL REINFORCEMENT BRACKET FOR VERTICAL SLIDING DOOR RIGHT UPPER REGISTER	D	110
24GHI804		EXTERNAL REINFORCEMENT BRACKET FOR VERTICAL SLIDING DOOR LEFT UPPER REGISTER	D	110
24GHI805		SUPPORT PLATE FOR VERTICAL SLIDING DOOR UPPER REGISTER	D	110
24GHI806		SUPPORT PLATE FOR VERTICAL SLIDING DOOR LOWER REGISTER	F	110
24GHI810		COMPLETE OPENING LIMIT STOP FOR VERTICAL SLIDING DOOR	A	65
24GHI840		FULL REGISTER FOR SLIDING VERTICAL DOOR	D	65
24GHI841		ANTI-FALL DEVICE FOR VERTICAL SLIDING DOOR	D	65
24GHI845		ENGINE SHEAVE WITH BEARING FOR VERTICAL SLIDING DOOR	A	64
24GHI846		CONDUCTING SHEAVE WITH BEARING FOR VERTICAL SLIDING DOOR	A	64
24GHI865		GASKET FOR VERTICAL SLIDING GUIDE	C	33
24GHI870		RIGHT BEND FOR VERTICAL SLIDING GUIDE	D	64
24GHI871		LEFT BEND FOR VERTICAL SLIDING GUIDE	D	64
24GHI872		PLUG FOR VERTICAL SLIDING GUIDE	D	65
25TID012 15048		NUT FOR NYLON TENSION-ROD M12	A	106
25TIN016* 15046		NYLON TENSION-ROD M12 L=160	A	105

* = Available in different versions (dimension / side / opening sense / material / feature)
 = Disponibile in diverse versioni (dimensione / lato / senso di apertura / materiale / caratteristica)

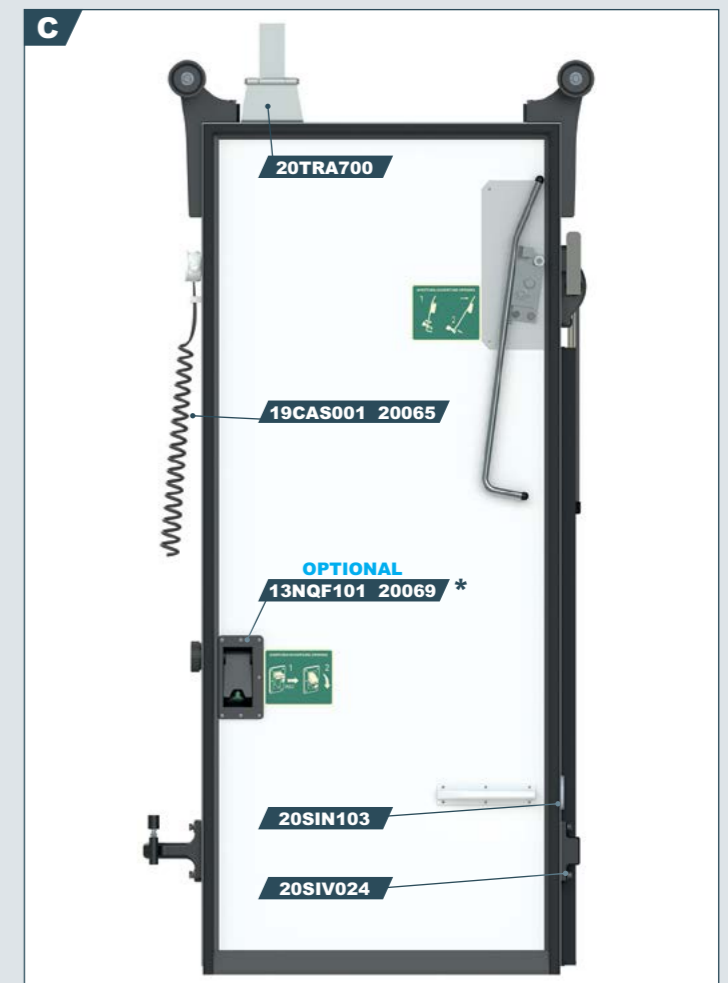
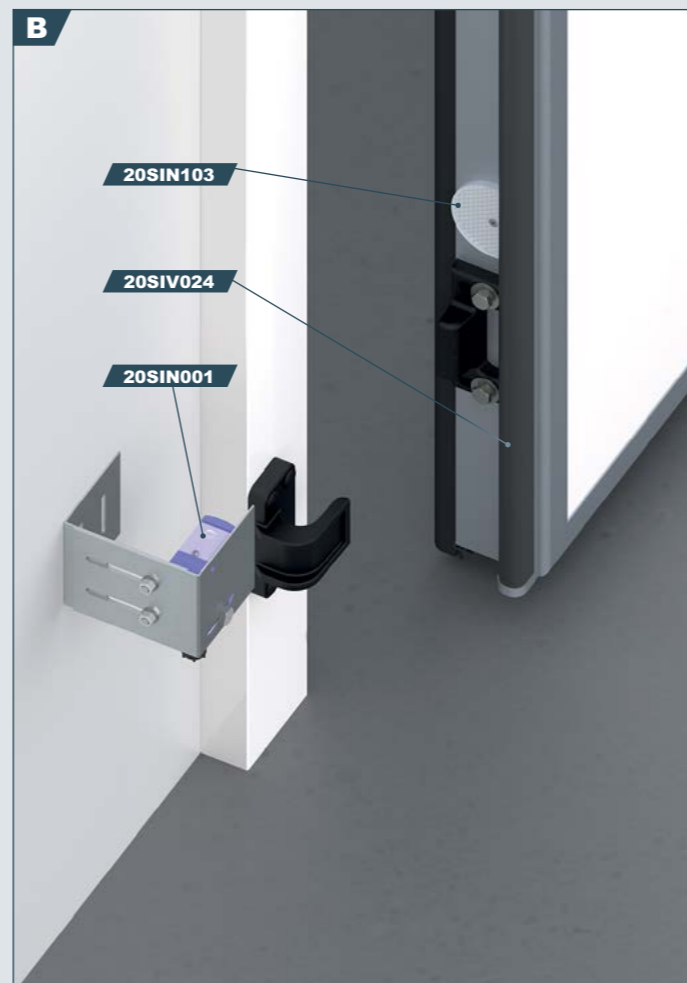
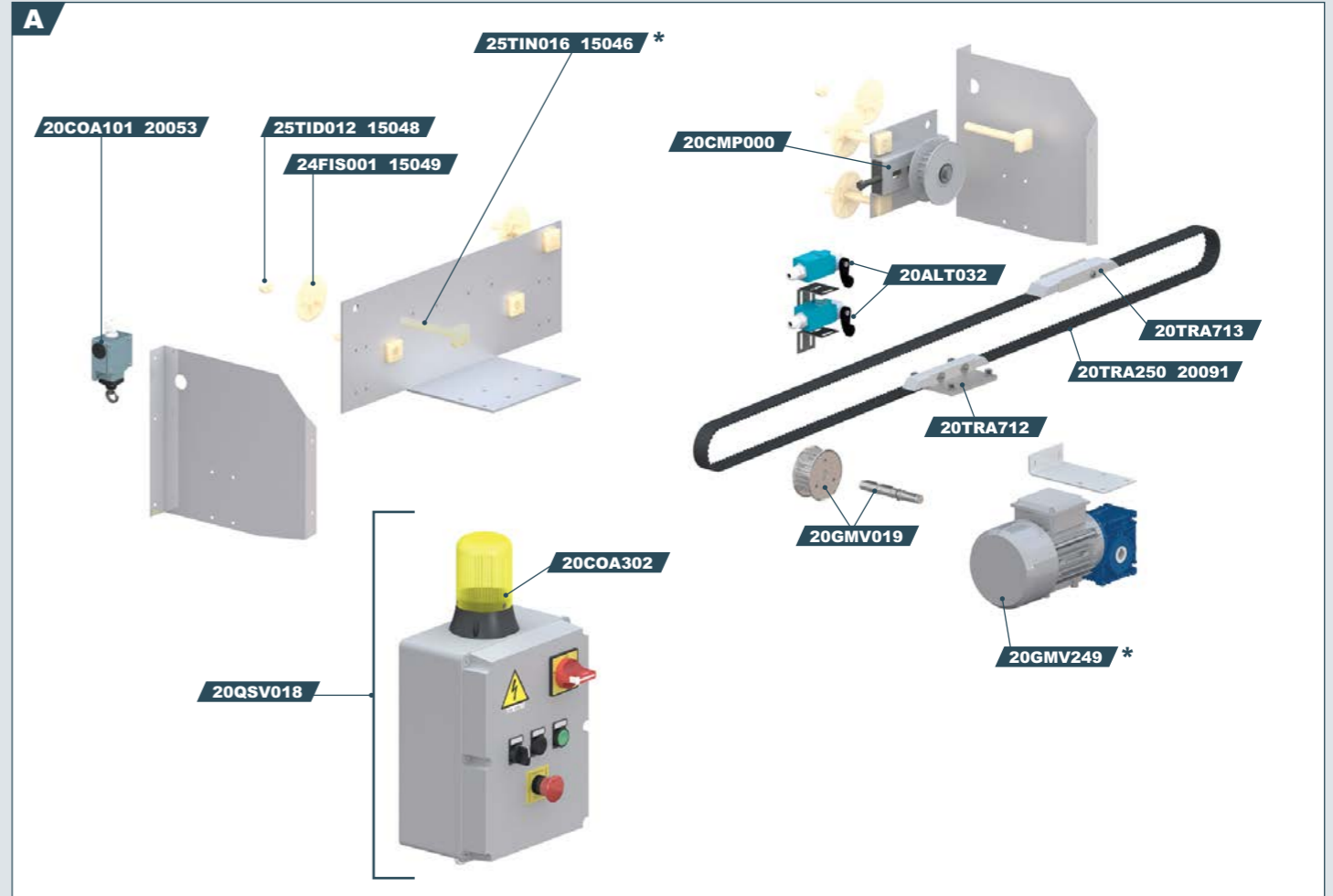




	CODE	DESCRIPTION	BOX	PAGE
BLADE	13NQF101*20069	REVERSIBLE LOCK "ART. 94" FOR SLIDING DOOR L=163 WITH MICROSWITCH	C	83
PLCL	19CAS001 20065	SPIRAL CABLE BLACK 3 X 1,5 mm² EXTENSION L=5000	C	121
	20ALT032	LIMIT POSITION SWITCH PLCL/PLCE AUTOMATION	A	117
	20CMP000	COMPLETE BELT TENSIONER SYSTEM FOR PLCL/PLCE AUTOMATION	A	116
	20COA101 20053	PULL CORD SWITCH	A	118
	20COA302	BLINKING LIGHT FOR PLCL/PLCE AUTOMAZIONE	A	118
	20GMV019	SLOW SHAFT WITH PULLEY T10-Z19 FOR PLCL AUTOMATION MOTOR	A	114
	20GMV249*	WORM GEAR MOTOR 4 POLES 0,18KW REDUCTION GEAR RATIO 10	A	114
	20QSV018*	PLCL AUTOMATION BOX 0,18KW - COMPLETE	A	114
	20SIN001	SECURITY PHOTOCELL WITHOUT RETRO-REFLECTOR	B	119
	20SIN103	ROUND REFLECTOR Ø 80	B	119
	20SIV024	MAGNETIC SAFETY EDGE L=1500 8,2 KOHM - CABLE L=5000 AUTOMATIC DOOR	B	119
	20TRA250 20091	POLYURETHANE TOOTHED BELT IN T10	A	116
	20TRA700	GALVANIZED DRIVER FOR PLCE/PLCL AUTOMATION	C	117
	20TRA712	COMPLETE CLOSING LIMIT BLOCK FOR PLCL/PLCE AUTOMATION BELT	A	117
	20TRA713	COMPLETE OPENING LIMIT BLOCK FOR PLCL/PLCE AUTOMATION BELT	A	116
	24FIS001 15049	PLASTIC WASHER Ø 12,5	A	106
	25TID012 15048	NUT FOR NYLON TENSION-ROD M12	A	106
25TIN016* 15046	NYLON TENSION-ROD M12 L=160	A	105	

* = Available in different versions (dimension / side / opening sense / material / feature)
 = Disponibile in diverse versioni (dimensione / lato / senso di apertura / materiale / caratteristica)

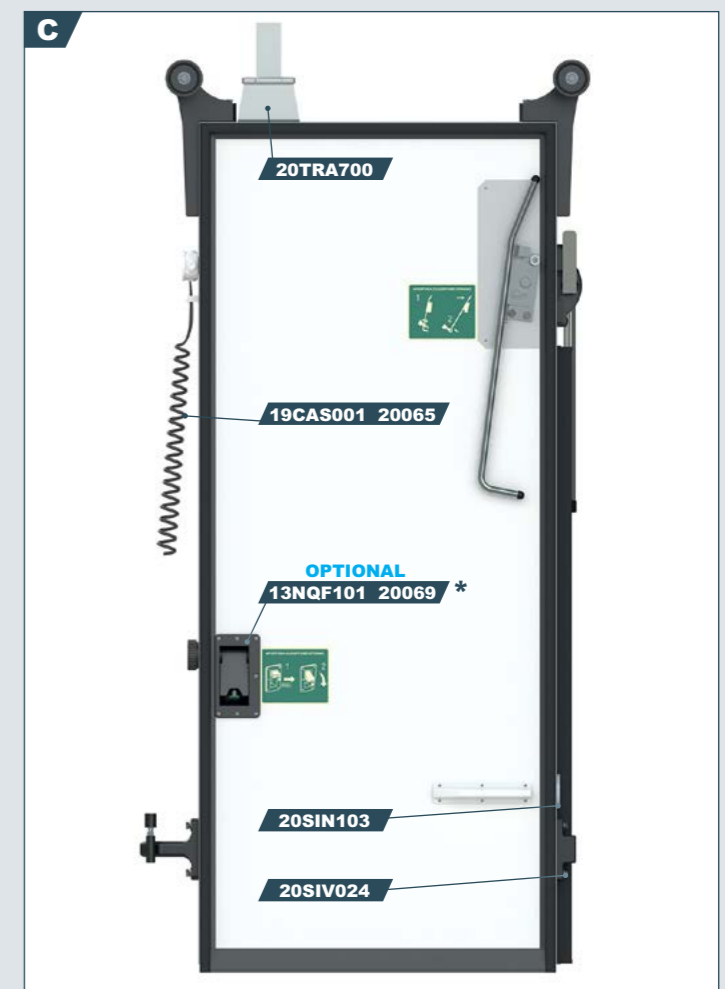
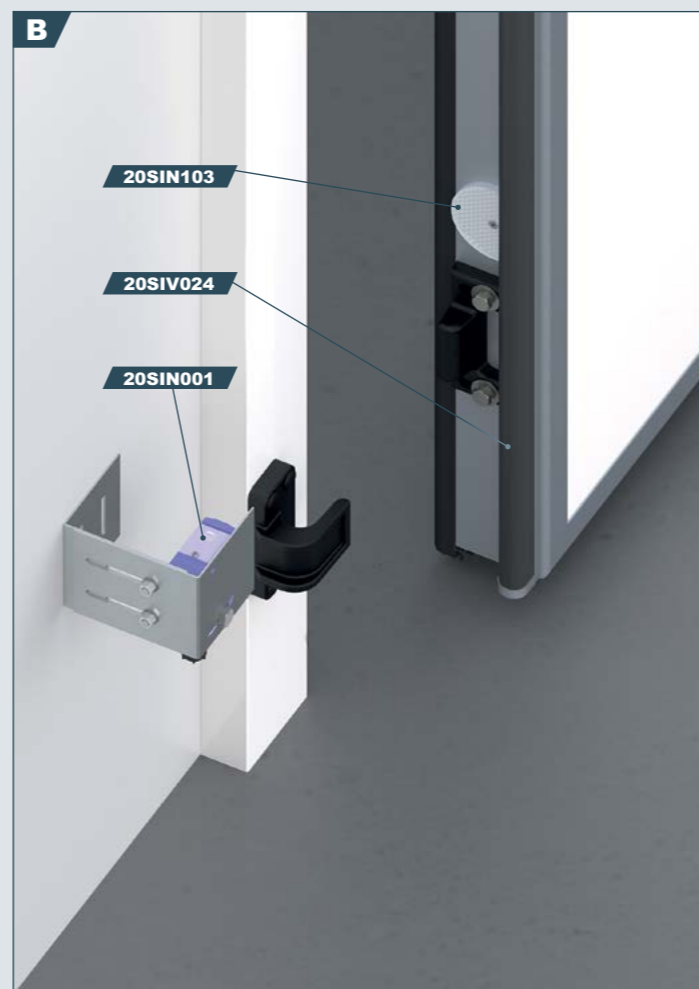
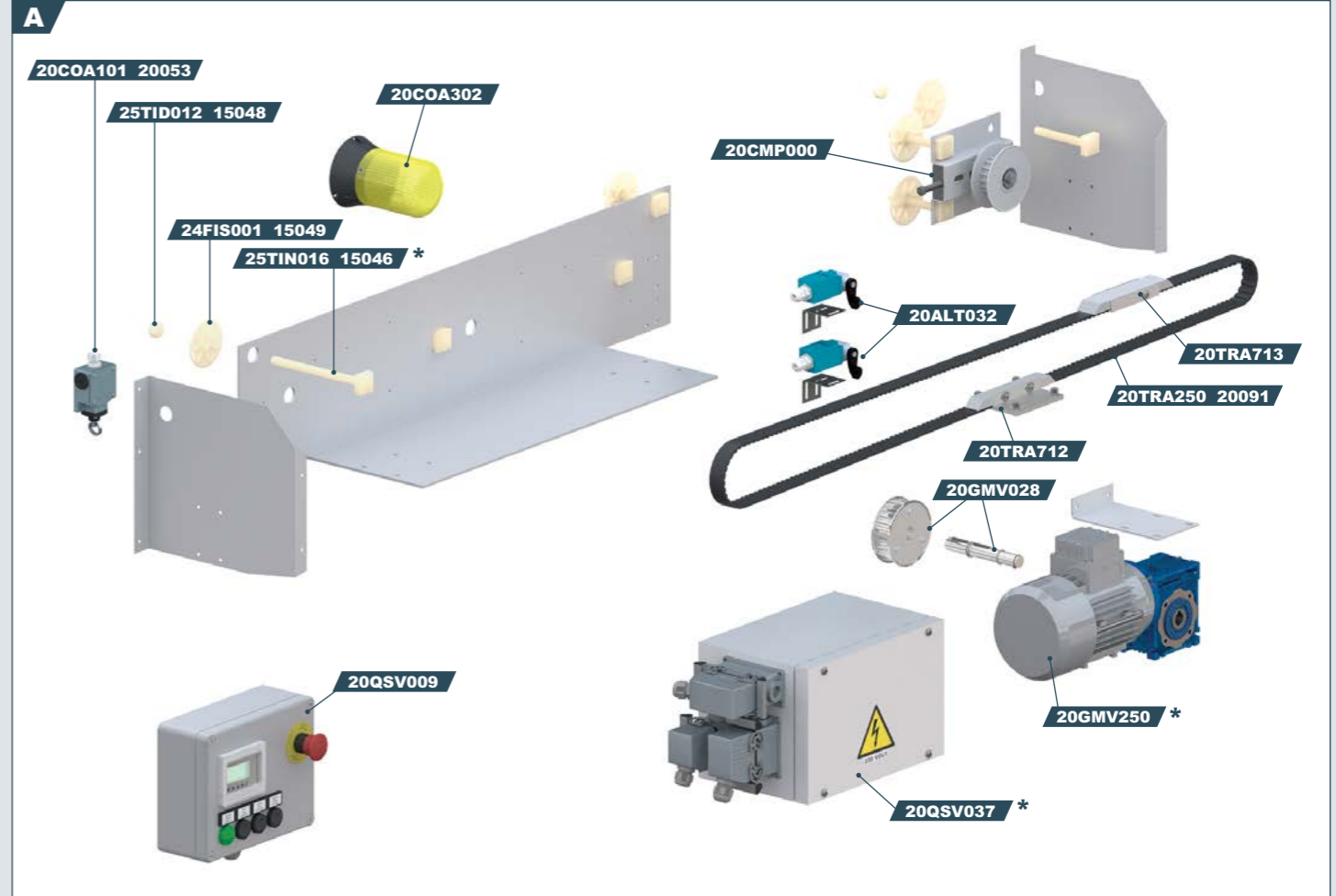
12ABC001 For more details click on the product code / Per maggiori dettagli clicca sul codice prodotto





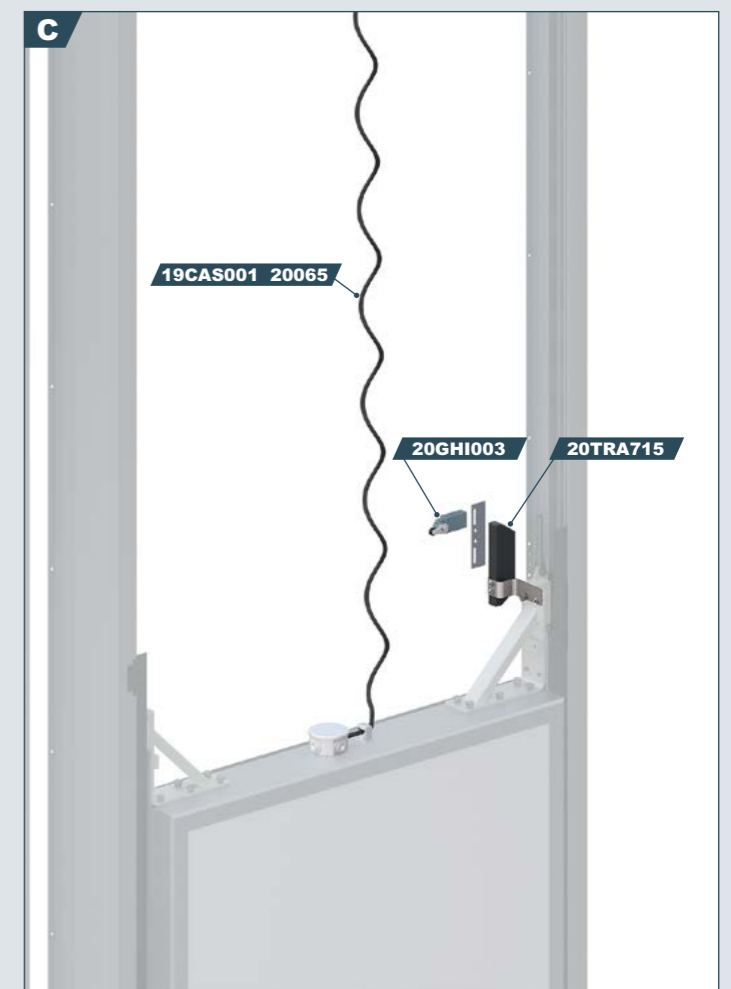
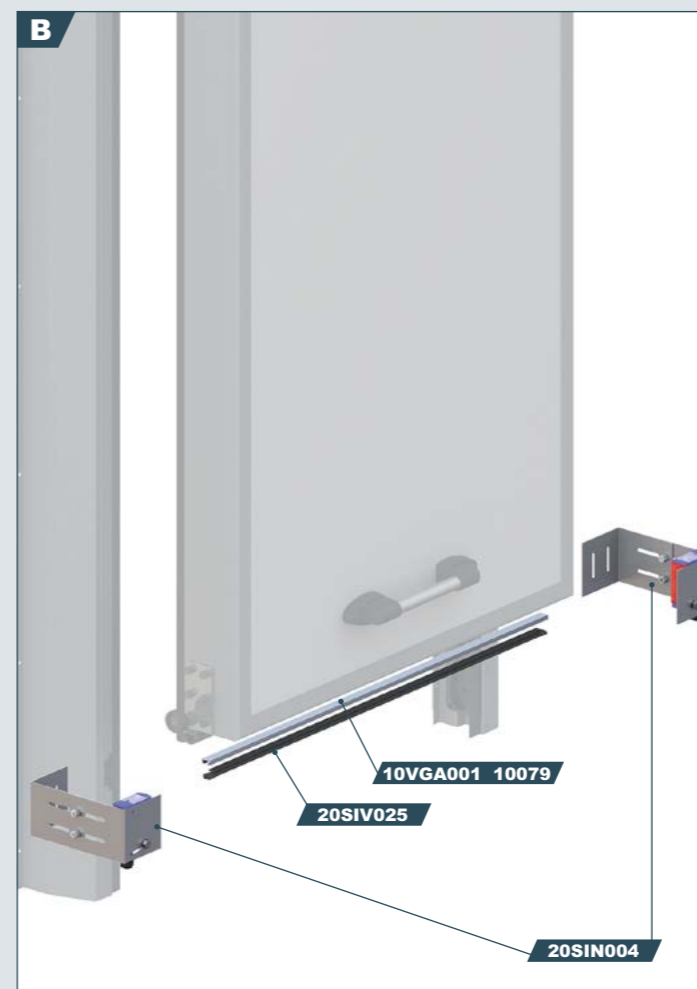
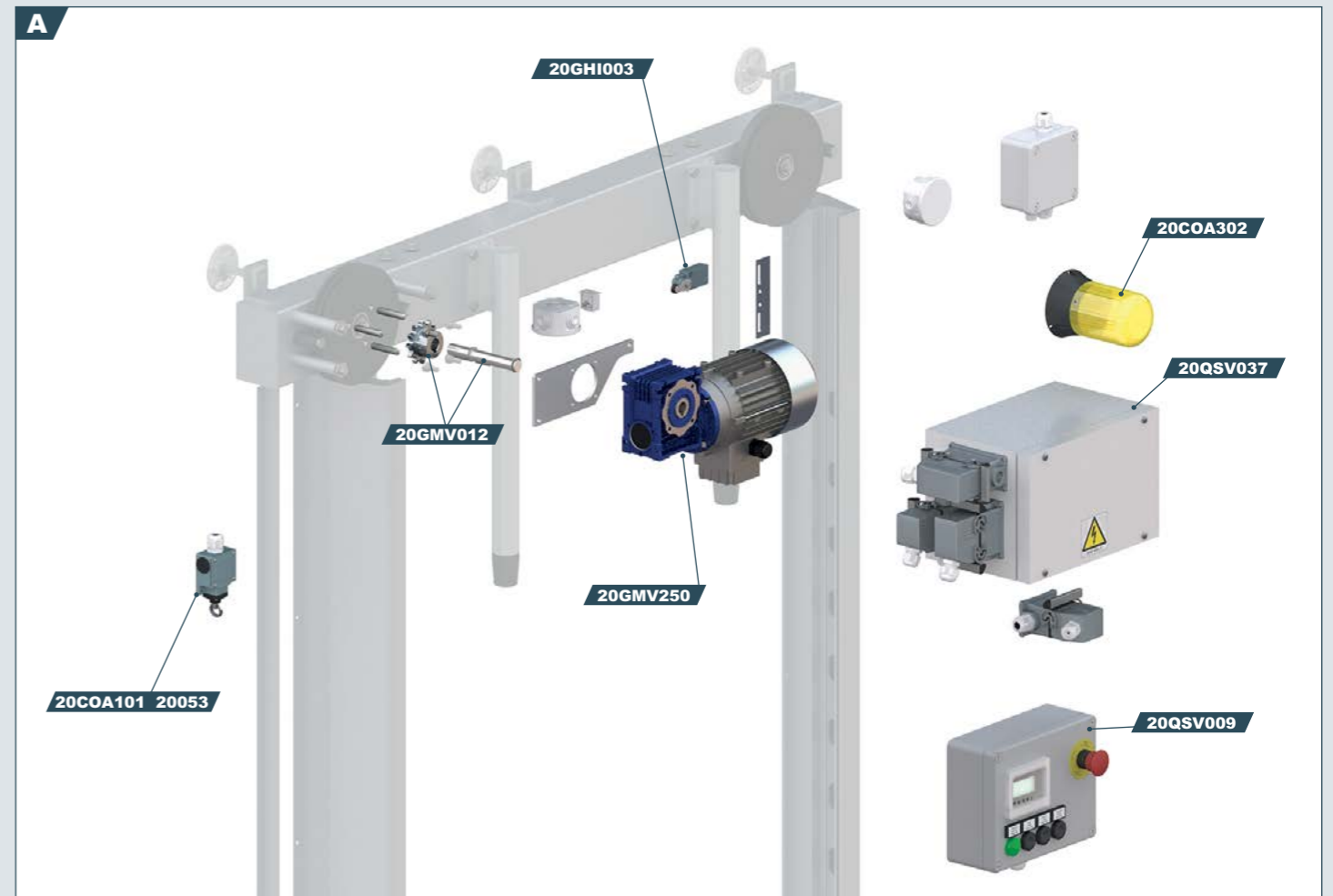
	CODE	DESCRIPTION	BOX	PAGE
BLADE	13NQF101 20069	REVERSIBLE LOCK "ART. 94" FOR SLIDING DOOR L=163 WITH MICROSWITCH	C	83
PLCE	19CAS001 20065	SPIRAL CABLE BLACK 3 X 1,5 mm² EXTENSION L=5000	C	121
	20ALT032	LIMIT POSITION SWITCH PLCL/PLCE AUTOMATION	A	117
	20CMP000	COMPLETE BELT TENSIONER SYSTEM FOR PLCL/PLCE AUTOMATION	A	116
	20COA101 20053	PULL CORD SWITCH	A	118
	20COA302	BLINKING LIGHT FOR PLCL/PLCE AUTOMAZIONE	A	118
	20GMV028	SLOW SHAFT WITH PULLEY T10-Z28 FOR PLCE AUTOMATION MOTOR	A	115
	20GMV250*	WORM GEAR MOTOR 4 POLES 0,37KW REDUCTION GEAR RATIO 15	A	115
	20QSV009	PLCE AUTOMATION LOGIC BOX - COMPLETE	A	116
	20QSV037*	PLCE AUTOMATION POWER BOX 0,37KW - COMPLETE	A	115
	20SIN001	SECURITY PHOTOCCELL WITHOUT RETRO-REFLECTOR	B	119
	20SIN103	ROUND REFLECTOR Ø 80	B	119
	20SIV024	MAGNETIC SAFETY EDGE L=1500 8,2 KOHM - CABLE L=5000 AUTOMATIC DOOR	B	119
	20TRA250 20091	POLYURETHANE TOOTHED BELT IN T10	A	116
	20TRA700	GALVANIZED DRIVER FOR PLCE/PLCL AUTOMATION	C	117
	20TRA712	COMPLETE CLOSING LIMIT BLOCK FOR PLCL/PLCE AUTOMATION BELT	A	117
	20TRA713	COMPLETE OPENING LIMIT BLOCK FOR PLCL/PLCE AUTOMATION BELT	A	116
	24FIS001 15049	PLASTIC WASHER Ø 12,5	A	106
	25TID012 15048	NUT FOR NYLON TENSION-ROD M12	A	106
	25TIN016* 15046	NYLON TENSION-ROD M12 L=160	A	105

* = Available in different versions (dimension / side / opening sense / material / feature)
 = Disponibile in diverse versioni (dimensione / lato / senso di apertura / materiale / caratteristica)





PLCE	CODE	DESCRIPTION	BOX	PAGE
	10VGA001 10079	ANODIZED ALUMINIUM GASKET-HOLDER PROFILE SIDE 18 BAR L=6000	B	13
	19CAS001 20065	SPIRAL CABLE BLACK 3 X 1,5 mm² EXTENSION L=5000	C	121
	20COA101 20053	PULL CORD SWITCH	A	118
	20COA302	BLINKING LIGHT FOR PLCL/PLCE AUTOMAZIONE	A	118
	20GHI003	WIRED LIMIT POSITION SWITCH FOR AUTOMATIC VERTICAL SLIDING DOOR	A	121
	20GMV012	SLOW SHAFT WITH SPROCKET-WHEEL 10B1 - Z12 FOR PLCE AUTOMATIC VERTICAL SLIDING DOOR	A	121
	20GMV250	WORM GEAR MOTOR 4 POLES 0,37KW REDUCTION GEAR RATIO 15	A	115
	20QSV009	PLCE AUTOMATION LOGIC BOX - COMPLETE	A	116
	20QSV037	PLCE AUTOMATION POWER BOX 0,37KW - COMPLETE	A	115
	20SIN004	KIT BT EMITTER/RECEIVER PHOTOCELLS WITH GALVANIZED FIXING BRACKETS	B	118
	20SIV025	MAGNETIC SAFETY EDGE 8,2 KOHM - CABLE L=5000 FOR AUTOMATIC VERTICAL SLIDING DOOR	B	121
	20TRA715	LIMIT BLOCK FOR PLCE AUTOMATIC VERTICAL SLIDING DOOR	C	121

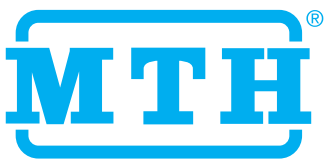
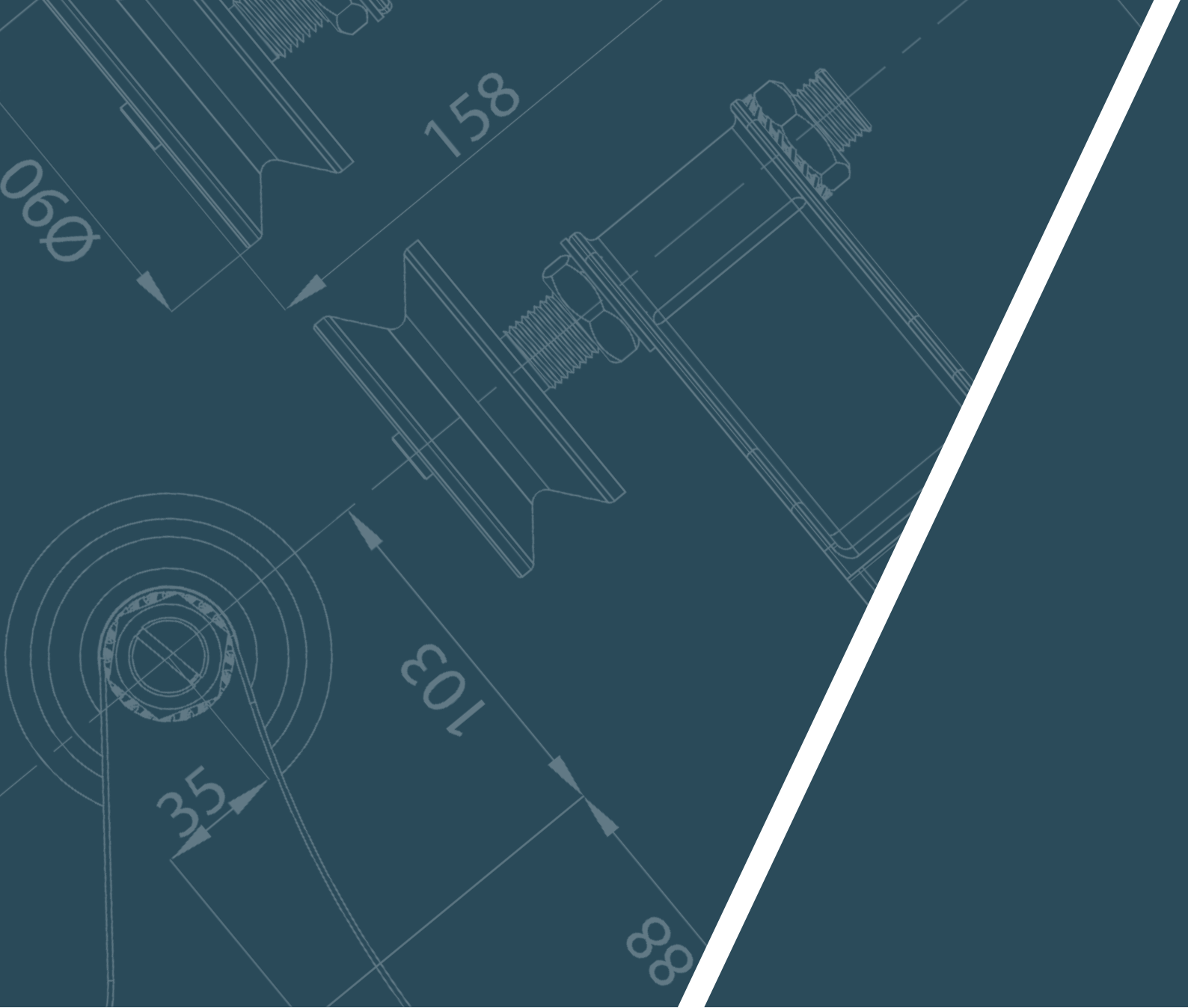


CODE	PAGE	CODE	PAGE	CODE	PAGE	CODE	PAGE
03ZIL003	107	10GUA003	17	10VAT104 10069	100	11PLT001 11011	28
05ANP001 15027	103	10GUA004	17	10VCA001 10053	14	11PLT002	28
05ANP100 15029	105	10INA001 10042	15	10VCA003 10084	14	11PLT003	28
05ANS001 15026	102	10OLA001 10012	9	10VGA001 10079	13	11PLV001 11027	29
05ANS022	101	10OLA002 10014	9	10VGA003 10078	13	11PLV002 11027	29
05ANS023	101	10OLA003 10013	9	10VHA001 10056	13	11PLV010 11029	29
06ALT153 15025	111	10OLA005 10016	9	10VRG001	14	12BAT200	24
06CER001	46	10OLA006 10017	9	10VUA003	17	12CEL002	25
06SPD040 15011	100	10OLA010	9	11AAL010 21015	33	12CEL003	25
06SPD070 15012	100	10OLA012	9	11AAL011	31	12CEL056	25
06SPD090 15013	100	10OLA013 10015	9	11AAL012	30	12CEL057	111
06SPD120 15014	100	10PCA005	16	11AAL013	31	12CEL058	25
06SPD140	100	10PDA001 10045	14	11AAL014	30	12COS002 12027	22
06SPP101 15081	70	10PMA001	16	11AAL015	31	12COS003 12026	22
06SPP102 15082	70	10PMA002	16	11AAL016	30	12COS004	22
06SPP103 15083	70	10PMA005	16	11AAL020 12021	20	12COS006 12025	22
10BLA001	14	10PNA001 10041	15	11AAL030 12011	20	12COS008 12030	22
10BOA001 10026	8	10PNA002 10041	15	11AAL060 12016	23	12COS010 12031	22
10BOA006 10037	12	10PNA003 10041	15	11AAL070 12014	23	12GIU001 12028	22
10BOA007 10076	12	10PNA006 10041	15	11AMP040 11037	36	12GIU003 12032	22
10BOA012 10034	11	10PPA004 10048	16	11AMP050	36	12MON001 12023	20
10BOA013 10025	8	10RNA001 10043	15	11INF020 11022	31	12MON002 12022	21
10BOA014 10039	12	10RPA001 10081	16	11INF030 11021	31	12MON011	21
10BOA016 10075	12	10TEA005 10074	10	11INF060 11030	31	12MON013	21
10BOA018 10085	8	10TEA006 10073	10	11INF070 11025	32	12NTR002 12015	23
10BOA019 10086	11	10TEA019	9	11INF080 12019	24	12NTR006	23
10BOA020 10087	11	10TEA020	9	11OBM015 11031	32	12VAR101 12029	23
10BOA021 10088	10	10TEA021	9	11OBM040 11032	32	12VAR103	21
10BOA022 10089	10	10TEA022	9	11OBM068 11033	32	12VAR201	103
10BOA024	10	10TEA023	8	11OBM092 11035	33	12VAR202	107
10BOA025	11	10VAT001 10065	100	11OBM200 11039	32	12VAR250 12033	28
10BOA026	11	10VAT002 10064	100	11OBM300	33	12VAR300 15067	69
10BOA027	12	10VAT003 10063	100	11PLE001 11019	30	12VAR301	69
10BOA124	13	10VAT004	100	11PLE002 12013	24	12VAR402	24
10CLA001	15	10VAT101 10066	100	11PLG001 11015	30	12VAR500	20
10CPA002 10046	13	10VAT102 10067	100	11PLP001 11014	29	13ALT150	70
10GUA001 10044	17	10VAT103 10068	100	11PLR001 11016	30	13ALT152	77

CODE	PAGE	CODE	PAGE	CODE	PAGE	CODE	PAGE
13AMF028 13024	75	13KIT511	71	13SIF101 13087	82	14PLG505	46
13AMF038 13024	75	13KIT512	71	13SIF102 13088	82	14PLG701 14722	47
13AMF048 13024	75	13KIT513	71	13SIF301 13045	78	14PLG702 14723	47
13AMF058 13024	75	13KIT515	71	13TUC113	68	14PLG711 14724	47
13AMF068 13024	75	13KIT516	71	13TUC116	68	14PLG712 14725	47
13AMF078 13024	75	13KIT517	71	13TUC202 13018	69	14PLG721 14726	47
13AMF088 13024	75	13KIT518	71	13TUC203 13013	68	14PLG722 14727	48
13AMF098 13024	75	13KIT519	71	13TUC304	69	14PLG723 14728	46
13CEC002 13020	72	13NQF001 13059	83	13TUC402 13012	69	14PLG761 14731	48
13CEC003 13020	72	13NQF002 13100	83	13TUC601	29	14PLG815	47
13CEL010	111	13NQF003 13101	83	13TUC602	29	14PLG830	46
13CES002 13019	72	13NQF004 13102	83	13TUC603	29	14PLP001	47
13CES003 13019	72	13NQF101 20069	83	13TUC604	29	14PLP002	48
13CIN002 13030	74	13NQF102 20069	83	13TUC605	29	14PLP003	48
13CLE056	72	13NQF103 20069	83	13TUC606	29	14PLP141	46
13CSC501	72	13OZF400	76	13TUC607	29	14PMR002	49
13CSC700 15070	74	13OZF401	77	13TUC608	29	14VVC064	45
13CSC805 15040	75	13OZF500	76	13TUC609	29	14VVF001 14013	44
13FEI003 13091	77	13OZF501	76	13TUC610	29	14VVF002	44
13FEI004 13092	77	13OZF502	76	13TUF001	68	14VVF003 14014	44
13FEI006 13093	77	13OZF503	76	13TUF149	68	14VVF005	44
13FEI008 13094	77	13OZF600	76	13TUF198	68	15CPR001 15063	94
13FEI101 13098	77	13SAE201 15057	80	14ALU201	44	15CPR002 15063	94
13FEI150	70	13SAE202 15056	81	14ALU202	44	15CPR021 15061	95
13FEZ001 13016	70	13SAI002	81	14INO001 14012	44	15CPR022 15061	95
13KIT200	75	13SEF002 13054	79	14OTT001 14071	48	15CPR024	95
13KIT500	71	13SEF011 13049	78	14OTT002 14072	48	15CPR025	95
13KIT501	71	13SEF022 13086	82	14OTT011 14073	49	15CPR026	95
13KIT502	71	13SEF031 13056	80	14OTT012 14074	49	15CPR027	95
13KIT503	71	13SEF032 13053	80	14OTT101 14075	49	15EGO001 15065	94
13KIT504	71	13SEF042 13057	80	14OTT102 14076	49	15ENO001 15065	94
13KIT505	71	13SEF046	80	14PLG100 14032	45	15GIU002 15016	102
13KIT506	71	13SEF048	80	14PLG200 14033	45	15GIU003 15017	102
13KIT507	71	13SEF049	80	14PLG201 14034	46	15GIU102 15018	104
13KIT508	71	13SEF071 13089	82	14PLG400	45	15GIU103 15019	105
13KIT509	71	13SIF001 13050	81	14PLG500	45	15TEL002 15021	96
13KIT510	71	13SIF002 13051	81	14PLG503	45	15TEL003 15022	96

CODE	PAGE	CODE	PAGE	CODE	PAGE	CODE	PAGE			
15TEL022	15023	96	18PC0275	40	18PC1200	40	19VAL012	91		
15TEL023	15024	96	18PC0300	40	18PC1225	40	19VAL018	91		
15VAR000		96	18PC0325	40	18PC1250	40	19VAL019	91		
15VAR002	15062	94	18PC0350	40	18PC1275	40	19VAL020	91		
15VAR100		33	18PC0375	40	18PC1300	40	20ALT032	117		
15VAR150	15055	103	18PC0400	40	18PC1325	40	20CMP000	116		
16CEL001		111	18PC0425	40	18PC1350	40	20COA101	20053	118	
16COC001	16025	101	18PC0450	40	18PC1375	40	20COA103		120	
16COS002	16011	107	18PC0475	40	18PC1400	40	20COA302		118	
16COS003	16013	107	18PC0500	40	18PC1425	40	20COA700		120	
16COS004	16014	106	18PC0525	40	18PC1450	40	20COA701		120	
16COS005	16012	106	18PC0550	40	18PC1475	40	20GHI003		121	
16COS006	16041	108	18PC0575	40	18PC1500	41	20GMV012		121	
16COS008		108	18PC0600	40	18PC1525	41	20GMV019		114	
16PIC001	16017	104	18PC0625	40	18PC1550	41	20GMV028		115	
16PIC002	16018	104	18PC0650	40	18PC1575	41	20GMV202		115	
16PIC003	16019	104	18PC0675	40	18PC1600	41	20GMV248		114	
16PIC020		104	18PC0700	40	18PC1625	41	20GMV249		114	
16PIS102		108	18PC0725	40	18PC1650	41	20GMV250		115	
16PIS103		108	18PC0750	40	18PC1675	41	20QSV009		116	
16PIT001	16022	105	18PC0775	40	18PC1700	41	20QSV018		114	
16PIT002	16023	102	18PC0800	40	18PC1725	41	20QSV025		114	
16PIT004	16024	109	18PC0825	40	18PC1750	41	20QSV037		115	
17OLO001	17012	86	18PC0850	40	18PC1775	41	20QSV055		115	
17OLR001	17013	86	18PC0875	40	18PC1800	41	20SIN001		119	
17OLR002	17014	86	18PC0900	40	18PC1825	41	20SIN004		118	
17VEA001	17015	86	18PC0925	40	18PC1850	41	20SIN103		119	
17VEO001	17016	87	18PC0950	40	18PC1875	41	20SIN104		118	
17VEO002	17017	87	18PC0975	40	18PC1900	41	20SIV024		119	
17VER001		87	18PC1000	40	18PC1925	41	20SIV025		121	
18PC0100		40	18PC1025	40	18PC1950	41	20SIV026		120	
18PC0125		40	18PC1050	40	18PC1975	41	20SIV027		119	
18PC0150		40	18PC1075	40	18PCO003	41	20TRA250	20091	116	
18PC0175		40	18PC1100	40	19CAS001	20065	121	20TRA700		117
18PC0200		40	18PC1125	40	19VAL001	15015	90	20TRA712		117
18PC0225		40	18PC1150	40	19VAL003		90	20TRA713		116
18PC0250		40	18PC1175	40	19VAL004		90	20TRA715		121

CODE	PAGE	CODE	PAGE	CODE	PAGE	CODE	PAGE				
20TRA750		117	24CCR201		53	24GHI804	110	25CAT250	13076	73	
22SPO300		87	24CCR500		56	24GHI805	110	25TID012	15048	106	
24ACC003	15087	60	24CCR501		56	24GHI806	110	25TIN016	15046	105	
24ACC004	15088	60	24CCR510		57	24GHI810	65	25TIN023	15047	105	
24ACC053	15089	61	24CCR511		57	24GHI840	65	25TIN030	15045	105	
24ACC054	15090	61	24CCR512		53	24GHI841	65	25TIN050	15038	106	
24ACC201		54	24CIG002	14064	58	24GHI845	64	25TIO055	16026	103	
24ACC202		54	24CIG003	14065	58	24GHI846	64	25TIO075	16027	103	
24ACN001	15058	79	24CIT009		59	24GHI865	33	25TIO095	16028	103	
24ACN100	15053	78	24CIT010		59	24GHI870	64	25TIO115	16029	103	
24ACP001	15035	61	24CIT301		55	24GHI871	64	25TIR703		74	
24ACP002	15036	61	24CIT302		55	24GHI872	65	25TIR704		74	
24ACP020		52	24CIT310		55	24RCR003	62	25TIR705		74	
24ACP030		54	24CIT311		55	24RCS001	15071	63	25TIR706		74
24ACP031		55	24CIT312		57	24RCS910	63	25TIR707		74	
24ACP930		61	24CIT313		57	24RCS911	63	25TIR708		74	
24ACR001	15059	79	24CIT314		57	24RCT100	15072	63	25TIR711		74
24ACR100	15054	79	24CIT315		57	24RCT201		62	26IFI001		101
24ACT004		60	24CPL003		53	24RIN007		62	26IFI002		101
24ACT005		60	24CPL004		53	24RIN200	16036	61	26IFI006		101
24ACT102	15041	52	24CPL005		53	24RPV001	15073	63	30ALU001	11052	37
24ACT103	15042	52	24CPL006		53	24RPV002	15074	63	30BIA001	11051	37
24ACT203		54	24CPS002	14044	58	24RPV225		62	30BIA002	11041	36
24ACT204		54	24CPS003	14043	58	24RZI001	15079	52	30BIA003	11054	37
24ACT205		54	24CPT002	14045	56	25AST106	13065	73	30BIA004	11055	37
24ACT602		60	24CPT003	14046	56	25AST114	13066	73	30ETI006		81
24ACT603		59	24CPT508		58	25AST126		73	30ETI007		81
24ACT604		59	24CPT509		58	25AST138	13067	73	30ETI008		78
24ACT605		59	24CPT600		55	25AST146	13068	73	30ETI009		78
24ACU001	15052	82	24CPT601		55	25AST166	13069	73	30ETI010		83
24BIN001		59	24CPT602		55	25AST247	13070	73	30ETI011		83
24BIN002		60	24CPT603		55	25CAT045	13071	73	30ETI012		83
24CAS004	14068	52	24FIS001	15049	106	25CAT050		73	30MON001	11042	36
24CAS005	14069	52	24GHI800		109	25CAT053	13072	73	30MON005	11043	36
24CCD300		56	24GHI801		109	25CAT077	13073	73	30MON006	11044	36
24CCR151		57	24GHI802		109	25CAT085	13074	73			
24CCR200	14039	56	24GHI803		110	25CAT105	13075	73			



MTH Srl | Via Rivera, 92 | 10040 Almese (TO) | Italy
Tel +39.011.9351580 | mthsrl@mth.it | **mth.it**

